



Register Online!
(see page 2)

S'inscrire en ligne!
(voir page 19)

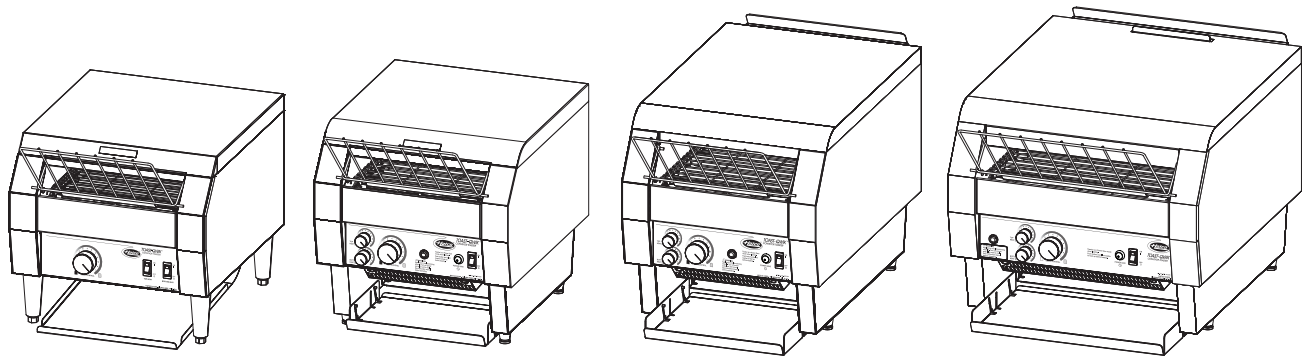


Toast Qwik®

Electric Conveyor Toasters Grille-pain électriques à convoyeur TQ-10, TQ-400, TQ-800, TQ-1200, and TQ-1800 Series/Série

Installation and Operating Manual Manuel d'installation et d'utilisation

P/N 07.04.354.00



⚠ WARNING

Do not operate this equipment unless you have read and understood the contents of this manual! Failure to follow the instructions contained in this manual may result in serious injury or death. This manual contains important safety information concerning the maintenance, use, and operation of this product. If you're unable to understand the contents of this manual, please bring it to the attention of your supervisor. Keep this manual in a safe location for future reference.

English = p 2

⚠ ADVERTENCIA

No opere este equipo al menos que haya leído y comprendido el contenido de este manual! Cualquier falla en el seguimiento de las instrucciones contenidas en este manual puede resultar en un serio lesión o muerte. Este manual contiene importante información sobre seguridad concerniente al mantenimiento, uso y operación de este producto. Si usted no puede entender el contenido de este manual por favor pregunte a su supervisor. Almacenar este manual en una localización segura para la referencia futura.

⚠ AVERTISSEMENT

Ne pas utiliser cet équipement sans avoir lu et compris le contenu de ce manuel ! Le non-respect des instructions contenues dans ce manuel peut entraîner de graves blessures ou la mort. Ce manuel contient des informations importantes concernant l'entretien, l'utilisation et le fonctionnement de ce produit. Si vous ne comprenez pas le contenu de ce manuel, veuillez le signaler à votre supérieur. Conservez ce manuel dans un endroit sûr pour pouvoir vous y référer plus tard.

Français = p 19

Important Owner Information	2	Operation	12
Introduction	2	General	12
Important Safety Information	3	Operating Model TQ-10	12
Model Descriptions	4	Operating TQ-400, -800, -1200, and -1800 Series	13
Model Designation	5	Power Save Mode with Indicator Light	14
Specifications	6	Adjusting the Toast Feed Ramp.....	14
Plug Configurations	6	Maintenance	15
Electrical Rating Charts.....	6	General	15
Dimensions	8	Daily Cleaning	15
Installation	10	Cleaning the Toast Feed Ramp	15
General	10	Cleaning the Bottom Element Reflector.....	15
Front or Rear Discharge Installation	11	Troubleshooting Guide	16
		Options and Accessories	17
		Limited Warranty	18
		Authorized Parts Distributors	Back Cover

IMPORTANT OWNER INFORMATION

Record the model number, serial number, voltage, and purchase date of the unit in the spaces below (specification label located on the lower left hand side of the unit). Please have this information available when calling Hatco for service assistance.

Model No. _____

Serial No. _____

Voltage _____

Date of Purchase _____

Business

Hours: 7:00 AM to 5:00 PM Central Standard Time (CST)
(Summer Hours: June to September—
7:00 AM to 5:00 PM CST Monday–Thursday
7:00 AM to 4:00 PM CST Friday)

Telephone: 800-558-0607; 414-671-6350

e-mail: partsandservice@hatcocorp.com

Fax: 800-690-2966 (Parts and Service)
414-671-3976 (International)



24 Hour 7 Day Parts and Service Assistance available in the United States and Canada by calling 800-558-0607.

Additional information can be found by visiting our web site at www.hatcocorp.com.

Register your unit!

Completing online warranty registration will prevent delay in obtaining warranty coverage. Access the Hatco website at www.hatcocorp.com, select the *Parts & Service* pull-down menu, and click on "Warranty Registration".

INTRODUCTION

Hatco Toast-Qwik® Electric Conveyor Toasters are specially designed to accelerate the toasting operation. Products for toasting pass through a heating chamber for rapid and thorough toasting. Moisture, sugar content, and thickness of bread product effect the ability to achieve the perfect toasted product. Conveyor speed and temperature determine the toasting color.

Hatco toasters are built with quality to meet the demands of foodservice operations and provide years of trouble-free performance. The metal-sheathed tubular heating elements are guaranteed against breakage and burnout for two years.

Hatco Toast-Qwik Electric Conveyor Toasters are products of extensive research and field testing. The materials used were selected for maximum durability, attractive appearance and optimum performance. Every unit is thoroughly inspected and tested prior to shipment.

This manual provides the installation, safety, and operating instructions for Toast-Qwik Electric Conveyor Toasters. Hatco recommends all installation, operating, and safety instructions appearing in this manual be read prior to installation or operation of a unit.

Safety information that appears in this manual is identified by the following signal word panels:



WARNING indicates a hazardous situation which, if not avoided, could result in death or serious injury.



CAUTION indicates a hazardous situation which, if not avoided, could result in minor or moderate injury.



NOTICE is used to address practices not related to personal injury.



Read the following important safety information before using this equipment to avoid serious injury or death and to avoid damage to equipment or property.

⚠ WARNING

ELECTRIC SHOCK HAZARD:

- Plug unit into a properly grounded electrical receptacle of the correct voltage, size, and plug configuration. If plug and receptacle do not match, contact a qualified electrician to determine and install proper voltage and size electrical receptacle.
- Turn OFF power switch, unplug power cord, and allow unit to cool before performing maintenance, cleaning, setup, or attempting to clear a jam.
- Unit is not weatherproof. Locate unit indoors where ambient air temperature is a minimum of 70°F (21°C) and a maximum of 85°F (29°C).
- DO NOT submerge or saturate with water. Unit is not waterproof. Do not operate if unit has been submerged or saturated with water.
- Do not steam clean or use excessive water on unit.
- This unit is not “jet-proof” construction. Do not use jet-clean spray to clean this unit.
- Do not clean unit when it is energized or hot.
- Do not allow liquids to spill into unit.
- Do not pull unit by power cord.
- Discontinue use if power cord is frayed or worn.
- Do not attempt to repair or replace a damaged power cord. Cord must be replaced by Hatco, an Authorized Hatco Service Agent, or a person with similar qualifications.
- NEVER insert a knife, fork, or similar object into toasting chamber.
- Do not pick up the toaster by inserting fingers into the toaster feed opening.
- This unit must be serviced by qualified personnel only. Service by unqualified personnel may lead to electric shock or burn.
- Use only Genuine Hatco Replacement Parts when service is required. Failure to use Genuine Hatco Replacement Parts will void all warranties and may subject operators of the equipment to hazardous electrical voltage, resulting in electrical shock or burn. Genuine Hatco Replacement Parts are specified to operate safely in the environments in which they are used. Some aftermarket or generic replacement parts do not have the characteristics that will allow them to operate safely in Hatco equipment.

EXPLOSION HAZARD: Do not store or use gasoline or other flammable vapors or liquids in the vicinity of this or any other appliance.

If toaster overheats or cooling fan inside unit stops working, the safety high-limit switch will shut off toaster. Contact Authorized Service Agent or Hatco for assistance.

⚠ WARNING

FIRE HAZARD:

- For front discharge operation: Allow a minimum clearance of 1" (25 mm) along the sides and rear of unit. Allow a minimum clearance of 12" (305 mm) in the front. If safe distances are not maintained, discoloration or combustion could occur.
- For rear discharge operation: Allow a minimum clearance of 1" (25 mm) along the sides of unit. Allow a minimum clearance of 12" (305 mm) in the front and rear. If safe distances are not maintained, discoloration or combustion could occur.
- Do not locate toaster under shelving or closer than 12" (305 mm) from the ceiling.
- Do not place anything on top of toaster. Do not place toaster near or underneath curtains or other combustible materials. Items near or on top of toaster could catch fire causing injury and/or damage to the toaster.
- In case of fire, disconnect toaster from power source immediately. This allows unit to cool, making it easier and safer to put out fire.

Make sure all operators have been instructed on the safe and proper use of the unit.

This unit is not intended for use by children or persons with reduced physical, sensory, or mental capabilities. Ensure proper supervision of children and keep them away from the unit.

This unit has no “user-serviceable” parts. If service is required on this unit, contact an Authorized Hatco Service Agent or contact the Hatco Service Department at 800-558-0607 or 414-671-6350; fax 800-690-2966; or International fax 414-671-3976.

⚠ CAUTION

BURN HAZARD:

- Some exterior surfaces on unit will get hot. Use caution when touching these areas.
- Do not remove crumb tray for cleaning until toaster is cool.

Locate unit at the proper counter height in an area that is convenient for use. Location should be level and strong enough to support weight of unit and contents.

Always operate toaster with crumb tray installed.

If Warning light comes on, unit is malfunctioning. Turn off or disconnect unit from power supply and have unit serviced by a qualified technician.

Toasting of coated or buttered products such as garlic bread, cheese sandwiches, and sweet rolls is NOT recommended. Residue will reduce toaster performance and could ignite inside toaster. Using toaster with food products listed above will void unit warranty.

NOTICE

Do not locate unit in an area subject to temperatures above 85°F (29°C) or grease from grills, fryers, etc. Excessive temperatures and grease could cause damage to unit.

Do not locate toaster in an area that restricts air flow around front or rear of unit. Do not locate toaster in direct discharge path of air conditioning vent or makeup air vent.

Damage to any countertop material caused by heat generated from Hatco equipment is not covered under the Hatco warranty. Contact manufacturer of countertop material for application information.

NOTICE

Use non-abrasive cleaners and cloths only. Abrasive cleaners and cloths could scratch finish of unit, marring its appearance and making it susceptible to soil accumulation.

This unit is intended for commercial use only — NOT for household use.

Clean unit daily to avoid malfunctions and maintain sanitary operation.

MODEL DESCRIPTIONS

All Models

All Toast-Qwik® Electric Conveyor Toasters are fast, reliable, and versatile, toasting 300 to 1800 slices of bread product per hour depending on the specific model. The front or rear discharge lets the operator place a Toast-Qwik toaster where it is most convenient. Every Toast-Qwik toaster includes a toast collector pan, toast feed ramp, removable crumb tray, and a factory attached 6' (1829 mm) cord and plug.

Power Save Mode with Indicator Light

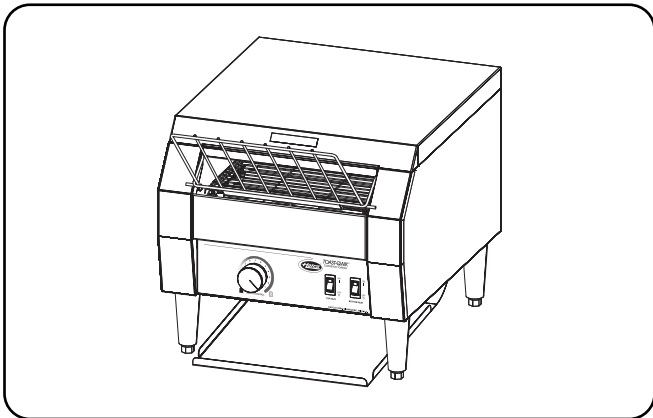
All TQ-400, TQ-800, TQ-1200, and TQ-1800 series toasters have a Power Save mode. During the Power Save mode the indicator light on the POWER SAVE button will flash. While the light is flashing the toaster is operating at 50% power. Full power can be restored within 10 minutes by pushing any button or adjusting any control knob.

ColorGuard System

All TQ-400, TQ-800, TQ-1200, and TQ-1800 series toasters use a patented ColorGuard Sensing System that monitors and automatically adjusts conveyor speed during high usage periods to assure toast color uniformity.

TQ-10 Model

The TQ-10 model allows for toasting of bread products up to 1-1/2" (38 mm) thick and 9-5/8" (244 mm) wide. The TQ-10 comes equipped with 4" (102 mm) adjustable legs.



TQ-10 Model

TQ-400 Model

The TQ-400 model allows for toasting of bread products up to 1-3/4" (44 mm) thick and 9-5/8" (244 mm) wide.

TQ-405 model

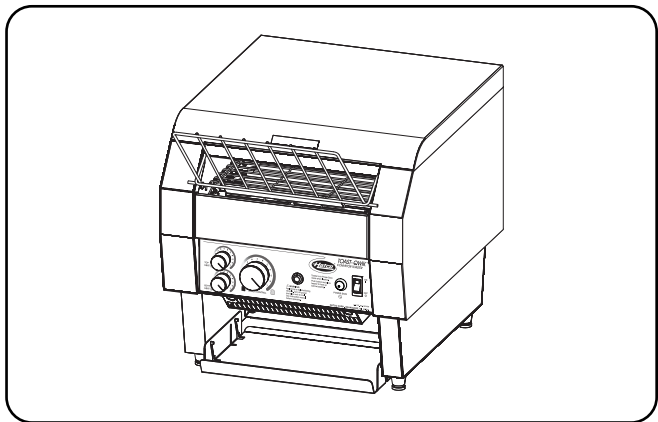
The TQ-405 model allows for toasting of moist or dense bread products up to 1-3/4" (44 mm) thick and 9-5/8" (244 mm) wide.

TQ-400H Model

The TQ-400H model has a 3" (76 mm) wide opening allowing for toasting of bread products up to 2-3/4" (70 mm) thick and 9-5/8" (244 mm) wide.

TQ-400BA Model

The TQ-400BA model allows for quick single-sided toasting of sliced bagels or bun products up to 1-3/4" (44 mm) thick and 9-5/8" (244 mm) wide. Most products can be toasted in as little as 45 seconds. Toasts cut side facing up.



TQ-400 Series (TQ-400 shown)

TQ-800 Model

The TQ-800 model allows for toasting of bread products up to 1-3/4" (44 mm) thick and 9-5/8" (244 mm) wide.

TQ-805 Model

The TQ-805 model allows for toasting of moist or dense bread products up to 1-3/4" (44 mm) thick and 9-5/8" (244 mm) wide.

TQ-800H Model

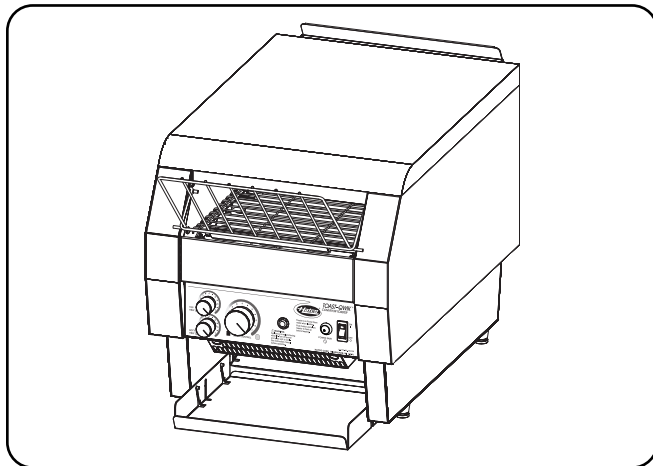
The TQ-800H model has a 3" (76 mm) wide opening allowing for toasting of bread products up to 2-3/4" (70 mm) thick and 9-5/8" (244 mm) wide.

TQ-800BA Model

The TQ-800BA model allows for quick single-sided toasting of sliced bagels or bun products up to 1-3/4" (44 mm) thick and 9-5/8" (244 mm) wide. Most products can be toasted in as little as 30 seconds. Toasts cut side facing up.

TQ-800HBA Model

The TQ-800HBA model is designed to provide the flexibility and performance to toast one side of sliced bagels or bun products in as little as 30 seconds. Toasts cut side facing up. Maximum product size allowed is 2-3/4" (70 mm) thick and 9-5/8" (244 mm) wide.



TQ-800 Series (TQ-800H shown)

TQ-1200 Model

The TQ-1200 is a high speed toaster which has an accelerated conveyor system allowing faster toasting during periods of high demand. Two slices of bread products can be toasted in as little as 15 seconds. This model is capable of toasting bread products up to 1-3/4" (44 mm) thick and 9-5/8" (244 mm) wide.

TQ-1800 Model

The TQ-1800 model allows for toasting of bread products up to 1-3/4" (44 mm) thick and 13-5/8" (346 mm) wide.

TQ-1800H Model

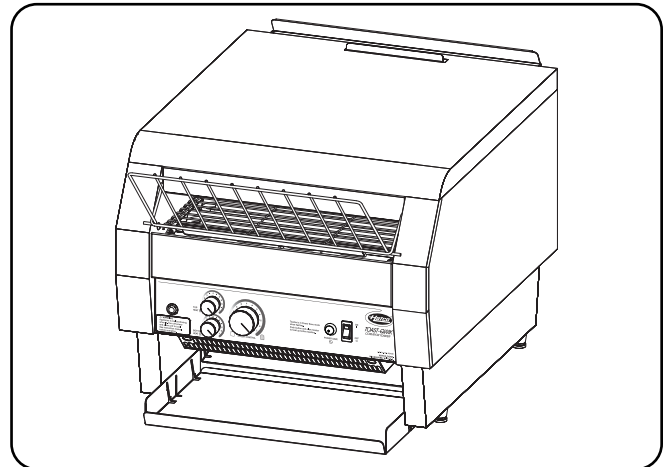
The TQ-1800H model has a 3" (76 mm) wide opening allowing for toasting of bread products up to 2-3/4" (70 mm) thick and 13-5/8" (346 mm) wide.

TQT-1800BA Model

The TQ-1800BA model allows for quick single-sided toasting of sliced bagels or bun products up to 1-3/4" (44 mm) thick and 13-5/8" (346 mm) wide. Most products can be toasted in as little as 15 seconds. Toasts cut side facing up.

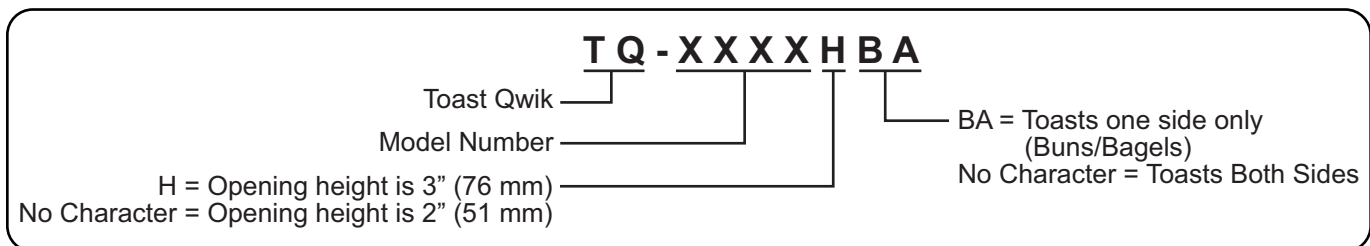
TQ-1800HBA Model

The TQ-1800HBA model is designed to provide the flexibility and performance to toast one side of sliced bagels or bun products in as little as 15 seconds. Toasts cut side facing up. Maximum product size allowed is 2-3/4" (70 mm) thick and 13-5/8" (346 mm) wide when 3 products are placed side by side.



TQ-1800 Series (TQ-1800 shown)

MODEL DESIGNATION



SPECIFICATIONS

Plug Configurations

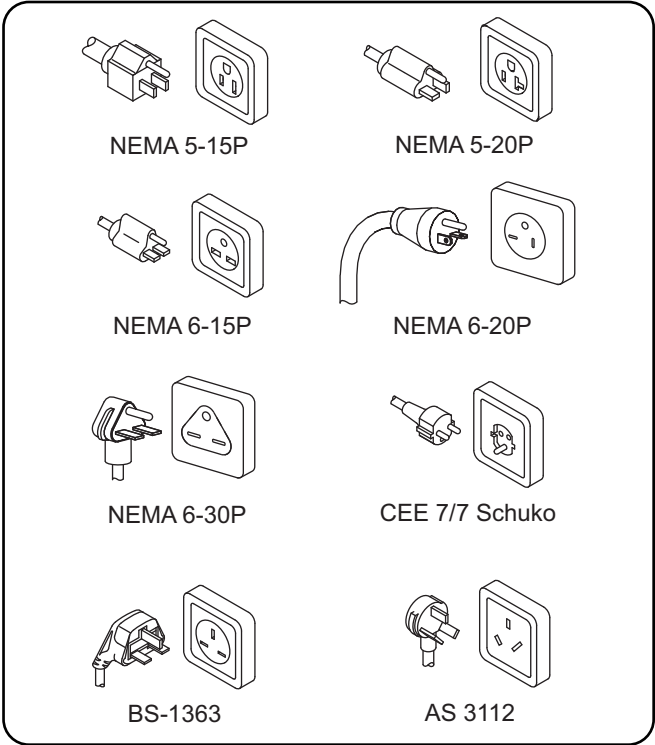
Units are supplied from the factory with an electrical cord and plug. Plugs are supplied according to the application.



ELECTRIC SHOCK HAZARD: Plug unit into a properly grounded electrical receptacle of the correct voltage, size, and plug configuration. If plug and receptacle do not match, contact a qualified electrician to determine and install proper voltage and size electrical receptacle.

NOTE: Receptacles are not supplied by Hatco, but are available as accessories.

NOTE: Specification label located on the side of the unit. See label for serial number and verification of unit electrical information.



Plug Configurations

Electrical Rating Chart — Model TQ-10

Model	Voltage	Hertz	Watts	Amps	Plug Configuration	Shipping Weight
TQ-10	120	60	1800	15.0	NEMA 5-15P*	42 lbs. (19 kg)
	208	60	1830	8.8	NEMA 6-15P	42 lbs. (19 kg)
	240	60	1830	7.6	NEMA 6-15P	42 lbs. (19 kg)
	200	50/60	2070	10.4	AS 3112	42 lbs. (19 kg)
	220–230 (CE)	50/60	1866–2048	8.5–8.9	CEE 7/7, BS-1363, or AS 3112	42 lbs. (19 kg)
	230–240 (CE)	50/60	2048–2221	8.9–9.3	CEE 7/7, BS-1363, or AS 3112	42 lbs. (19 kg)

The shaded areas contain electrical information for **International models only**.

* NEMA 5-20P for Canada.

Electrical Rating Chart — TQ-400 Series

Model	Voltage	Hertz	Watts	Amps	Plug Configuration	Shipping Weight
TQ-400	120	60	1790	14.9	NEMA 5-15P*	46 lbs. (21 kg)
	208	60	2230	10.7	NEMA 6-15P	46 lbs. (21 kg)
	240	60	2230	9.3	NEMA 6-15P	46 lbs. (21 kg)
	200	50/60	2064	10.3	AS 3112	46 lbs. (21 kg)
	220–230 (CE)	50/60	1860–2030	8.5–8.8	CEE 7/7, BS-1363, or AS 3112	46 lbs. (21 kg)
	230–240 (CE)	50/60	2030–2210	8.8–9.2	CEE 7/7, BS-1363, or AS 3112	46 lbs. (21 kg)
TQ-405	220–230 (CE)	50/60	2131–2330	9.7–10.1	CEE 7/7, BS-1363, or AS 3112	46 lbs. (21 kg)
	230–240 (CE)	50/60	2030–2210	8.8–9.2	CEE 7/7, BS-1363, or AS 3112	46 lbs. (21 kg)
TQ-400H	208	60	2230	10.7	NEMA 6-15P	46 lbs. (21 kg)
	240	60	2230	9.3	NEMA 6-15P	46 lbs. (21 kg)
	200	50/60	2064	10.3	AS 3112	46 lbs. (21 kg)
	220–230 (CE)	50/60	2131–2330	9.7–10.1	CEE 7/7, BS-1363, or AS 3112	46 lbs. (21 kg)
	230–240 (CE)	50/60	2030–2210	8.8–9.2	CEE 7/7, BS-1363, or AS 3112	46 lbs. (21 kg)
TQ-400BA	120	60	1780	14.8	NEMA 5-15P*	46 lbs. (21 kg)
	208	60	1880	9.0	NEMA 6-15P	46 lbs. (21 kg)
	240	60	1880	7.8	NEMA 6-15P	46 lbs. (21 kg)
	200	50/60	1878	9.4	AS 3112	46 lbs. (21 kg)
	220–230 (CE)	50/60	1765–1930	8.0–8.4	CEE 7/7, BS-1363, or AS 3112	46 lbs. (21 kg)
	230–240 (CE)	50/60	1930–2100	8.4–8.8	CEE 7/7, BS-1363, or AS 3112	46 lbs. (21 kg)

Electrical Rating Chart — TQ-800 Series

Model	Voltage	Hertz	Watts	Amps	Plug Configuration	Shipping Weight
TQ-800	208	60	3330	16.0	NEMA 6-20P†	62 lbs. (28 kg)
	240	60	3330	13.9	NEMA 6-15P‡	62 lbs. (28 kg)
	200	50/60	3050	15.3	No Plug	62 lbs. (28 kg)
	220–230 (CE)	50/60	3019–3300	13.7–14.4	No Plug	62 lbs. (28 kg)
	230–240 (CE)	50/60	3300–3593	14.4–15.0	No Plug	62 lbs. (28 kg)
TQ-805	230–240 (CE)	50/60	3300–3593	14.4–15.0	No Plug	62 lbs. (28 kg)
TQ-800H	208	60	3330	16.0	NEMA 6-20P†	62 lbs. (28 kg)
	240	60	3330	13.9	NEMA 6-15P‡	62 lbs. (28 kg)
	200	50/60	3050	15.3	No Plug	62 lbs. (28 kg)
	220–230 (CE)	50/60	3019–3300	13.7–14.4	No Plug	62 lbs. (28 kg)
	230–240 (CE)	50/60	3300–3593	14.4–15.0	No Plug	62 lbs. (28 kg)
TQ-800BA	208	60	3280	15.8	NEMA 6-20P†	62 lbs. (28 kg)
	240	60	3280	13.7	NEMA 6-15P‡	62 lbs. (28 kg)
	200	50/60	3003	15.0	No Plug	62 lbs. (28 kg)
	220–230 (CE)	50/60	2791–3050	12.7–13.3	No Plug	62 lbs. (28 kg)
	230–240 (CE)	50/60	3050–3321	13.3–13.9	No Plug	62 lbs. (28 kg)
TQ-800HBA	208	60	3280	15.8	NEMA 6-20P†	62 lbs. (28 kg)
	240	60	3280	13.7	NEMA 6-15P‡	62 lbs. (28 kg)
	200	50/60	3003	15.0	No Plug	62 lbs. (28 kg)
	220–230 (CE)	50/60	2791–3050	12.7–13.3	No Plug	62 lbs. (28 kg)
	230–240 (CE)	50/60	3050–3321	13.3–13.9	No Plug	62 lbs. (28 kg)

* NEMA 5-20P for Canada

† Available with optional 6-30P cord

‡ NEMA 6-20P cord for Canada

NOTE: TQ-800, TQ-805, TQ-800H, TQ-800BA and TQ-800HBA 200V, 220-230V (CE) and 230-240V (CE) equipped with 6' (1829 mm) cord attached, no plug.

Electrical Rating Chart — Model TQ-1200

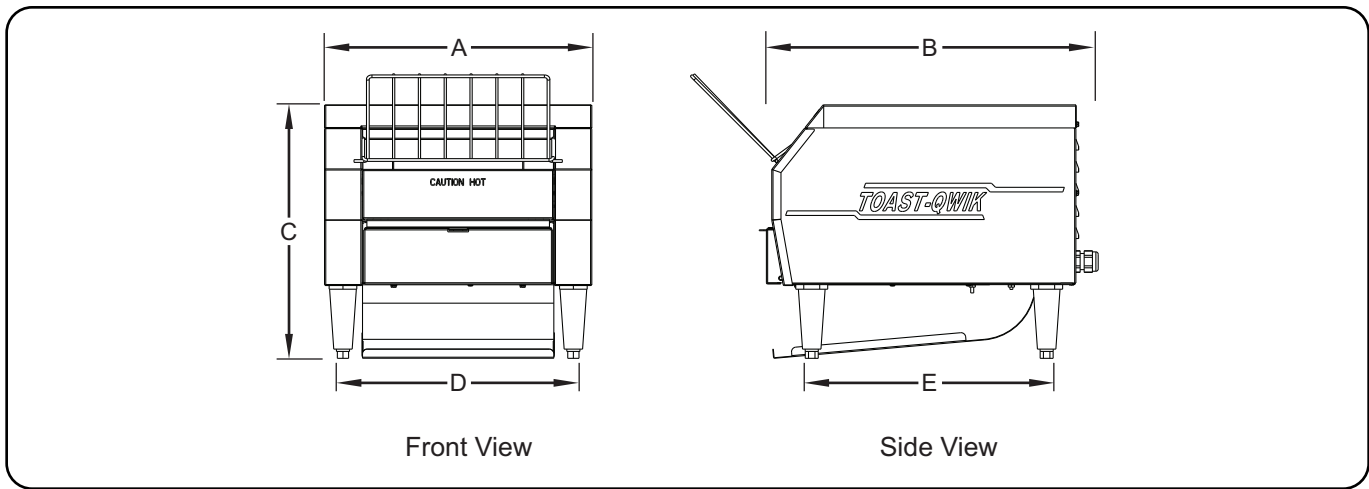
Model	Voltage	Hertz	Watts	Amps	Plug Configuration	Shipping Weight
TQ-1200	208	60	4030	19.4	NEMA 6-30P	65 lbs. (30 kg)
	240	60	4030	16.8	NEMA 6-30P	65 lbs. (30 kg)

Electrical Rating Chart — TQ-1800 Models

Model	Voltage	Hertz	Watts	Amps	Plug Configuration	Shipping Weight
TQ-1800	208	60	4440	21.4	NEMA 6-30P	73 lbs. (33 kg)
	240	60	4440	18.5	NEMA 6-30P	73 lbs. (33 kg)
TQ-1800H	208	60	4650	22.4	NEMA 6-30P	73 lbs. (33 kg)
	240	60	4650	19.4	NEMA 6-30P	73 lbs. (33 kg)
TQ-1800BA	208	60	4580	22.0	NEMA 6-30P	73 lbs. (33 kg)
	240	60	4580	19.1	NEMA 6-30P	73 lbs. (33 kg)
TQ-1800HBA	208	60	4580	22.0	NEMA 6-30P	73 lbs. (33 kg)
	240	60	4580	19.1	NEMA 6-30P	73 lbs. (33 kg)

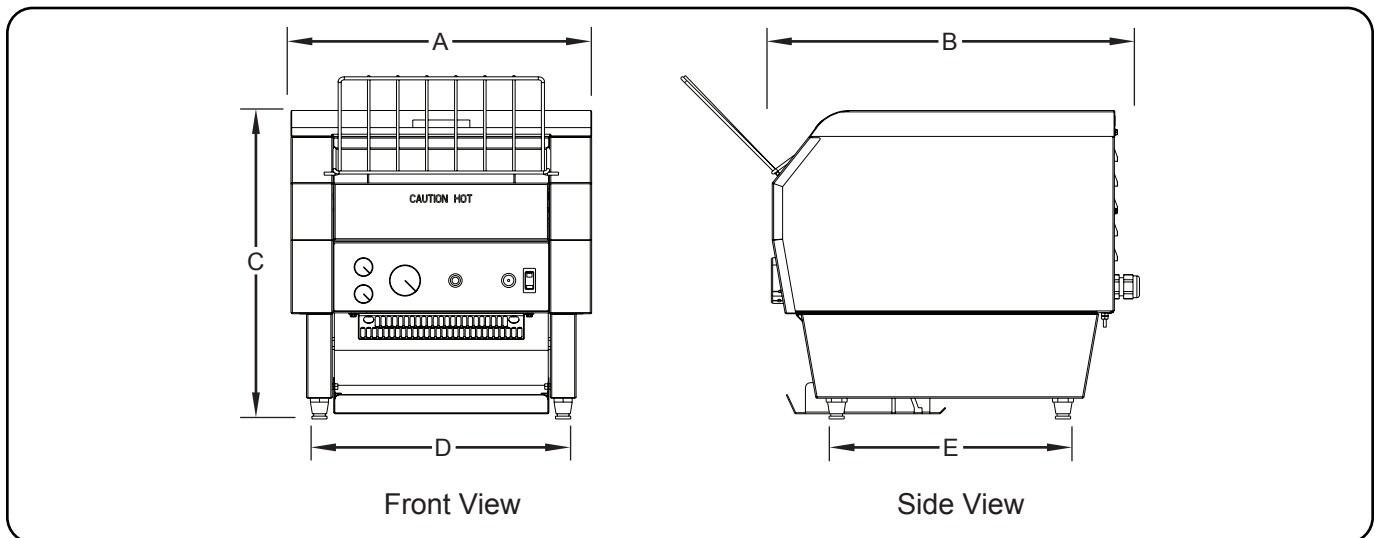
Dimensions — Model TQ-10

Model	Width (A)	Depth (B)	Height (C)	Footprint Width (D)	Footprint Depth (E)
TQ-10	14-1/2" (368 mm)	17-3/4" (451 mm)	13-3/4" (378 mm)	13-1/8" (333 mm)	13-3/8" (340 mm)



Dimensions — TQ-400, -405, -400H, -800, -805, -1200, and -1800 Models

Model	Width (A)	Depth (B)	Height (C)	Footprint Width (D)	Footprint Depth (E)
TQ-400	14-1/2" (368 mm)	17-3/4" (451 mm)	14-7/8" (378 mm)	12-3/8" (314 mm)	11-5/8" (295 mm)
TQ-405	14-1/2" (368 mm)	17-3/4" (451 mm)	14-7/8" (378 mm)	12-3/8" (314 mm)	11-5/8" (295 mm)
TQ-400H	14-1/2" (368 mm)	17-3/4" (451 mm)	15-7/8" (403 mm)	12-3/8" (314 mm)	11-5/8" (295 mm)
TQ-400BA	14-1/2" (368 mm)	17-3/4" (451 mm)	14-7/8" (378 mm)	12-3/8" (314 mm)	11-5/8" (295 mm)
TQ-800	14-1/2" (368 mm)	22-3/4" (578 mm)	16-5/8" (422 mm)	12-3/8" (314 mm)	13-1/2" (344 mm)
TQ-805	14-1/2" (368 mm)	22-3/4" (578 mm)	16-5/8" (422 mm)	12-3/8" (314 mm)	13-1/2" (344 mm)
TQ-800H	14-1/2" (368 mm)	22-3/4" (578 mm)	16-5/8" (422 mm)	12-3/8" (314 mm)	13-1/2" (344 mm)
TQ-800BA	14-1/2" (368 mm)	22-3/4" (578 mm)	16-5/8" (422 mm)	12-3/8" (314 mm)	13-1/2" (344 mm)
TQ-800HBA	14-1/2" (368 mm)	22-3/4" (578 mm)	16-5/8" (422 mm)	12-3/8" (314 mm)	13-1/2" (344 mm)
TQ-1200	14-1/2" (368 mm)	22-3/4" (578 mm)	16-5/8" (422 mm)	12-3/8" (314 mm)	13-1/2" (344 mm)
TQ-1800	18-1/2" (470 mm)	22-3/4" (578 mm)	16-5/8" (422 mm)	16-3/8" (416 mm)	13-1/2" (344 mm)
TQ-1800H	18-1/2" (470 mm)	22-3/4" (578 mm)	16-5/8" (422 mm)	16-3/8" (416 mm)	13-1/2" (344 mm)
TQ-1800BA	18-1/2" (470 mm)	22-3/4" (578 mm)	16-5/8" (422 mm)	16-3/8" (416 mm)	13-1/2" (344 mm)
TQ-1800HBA	18-1/2" (470 mm)	22-3/4" (578 mm)	16-5/8" (422 mm)	16-3/8" (416 mm)	13-1/2" (344 mm)



General

Hatco Toast-Qwik® Electric Conveyor Toasters are shipped with most components pre-assembled. Care should be taken when unpacking the shipping carton to avoid damage to the unit and the components enclosed.

⚠ WARNING

ELECTRIC SHOCK HAZARD: Unit is not weatherproof. Locate unit indoors where ambient air temperature is a minimum of 70°F (21°C) and a maximum of 85°F (29°C).

EXPLOSION HAZARD: Do not store or use gasoline or other flammable vapors or liquids in the vicinity of this or any other appliance.

FIRE HAZARD:

- Do not locate toaster under shelving or closer than 12" (305 mm) from the ceiling.
- Do not place anything on top of toaster. Do not place toaster near or underneath curtains or other combustible materials. Items near or on top of toaster could catch fire causing injury and/or damage to the toaster.

1. Remove the unit from the carton.

NOTE: To prevent delay in obtaining warranty coverage, complete online warranty registration. See the IMPORTANT OWNER INFORMATION section for details.

2. Remove tape and protective packaging from all surfaces of the unit.

⚠ CAUTION

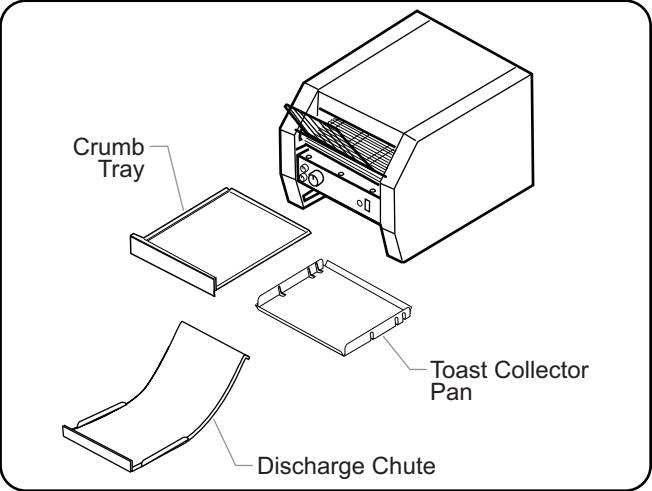
Locate unit at the proper counter height in an area that is convenient for use. Location should be level and strong enough to support weight of unit and contents.

NOTICE

Do not locate unit in an area subject to temperatures above 85°F (29°C) or grease from grills, fryers, etc. Excessive temperatures and grease could cause damage to unit.

3. Place the unit in the desired location.
 - Locate the unit in an area where the ambient air temperature is constant and between 70°F (21°C) and 85°F (29°C). Avoid areas that may be subject to active air movements or currents (i.e., near exhaust fans/hoods and air conditioning ducts).
 - Make sure the unit is at the proper counter height in an area convenient for use.
 - Make sure the countertop is level and strong enough to support the weight of the unit and food product.
 - Make sure all the feet on the bottom of the unit are positioned securely on the countertop.
4. Level the unit by turning the leveling feet on each leg, if necessary.

5. Install the front or rear discharge chutes. Refer to the "Front or Rear Discharge Installation" procedure in this section.

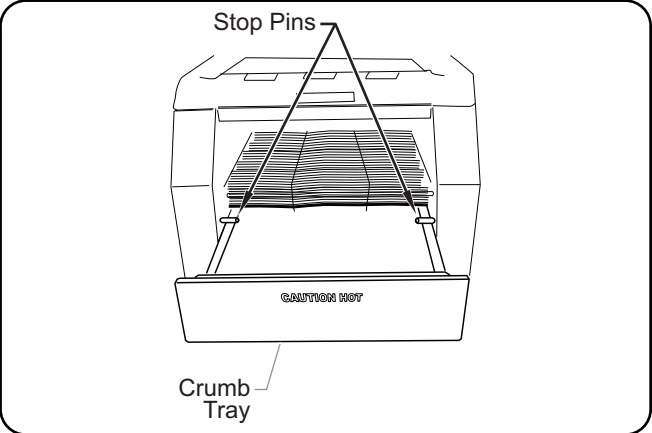


Components

⚠ CAUTION

Always operate toaster with crumb tray installed.

6. Install the crumb tray.
 - a. Position the crumb tray directly below the stop pins under the conveyor belt at the front of the toaster.
 - b. Slide the crumb tray into the toaster until the front of the crumb tray meets the stop pins.



Installing the Crumb Tray

Front or Rear Discharge Installation

Toast-Qwik units can be set up so toasted product discharges at either the front or the rear of the unit.



FIRE HAZARD:

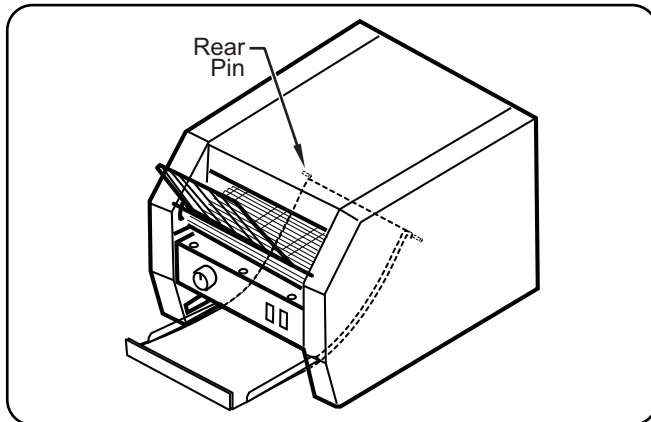
- For front discharge operation: Allow a minimum clearance of 1" (25 mm) along the sides and rear of unit. Allow a minimum clearance of 12" (305 mm) in the front. If safe distances are not maintained, discoloration or combustion could occur.
- For rear discharge operation: Allow a minimum clearance of 1" (25 mm) along the sides of unit. Allow a minimum clearance of 12" (305 mm) in the front and rear. If safe distances are not maintained, discoloration or combustion could occur.

Model TQ-10

Model TQ-10 uses a one piece discharge chute/collector pan. The installation location determines the discharge area.

For front discharge:

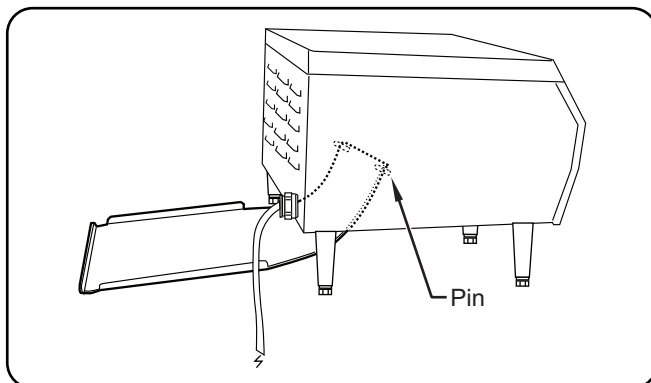
- Slide the toaster chute into the toaster from the front of the toaster with the rear lip of the chute on the rear most pins.



TQ-10 Front Discharge

For rear discharge:

- Slide the toaster chute into the toaster from the rear of the toaster with the lip of the chute over the inside set of pins.



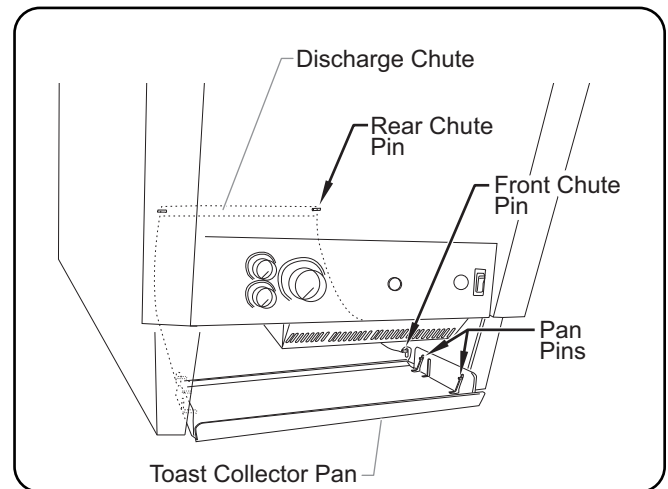
TQ-10 Rear Discharge

TQ-400, -800, -1200, and -1800 Series

TQ-400, -800, -1200, and -1800 series toasters use a separate discharge chute and toast collector pan. The installation location determines the discharge area.

For front discharge:

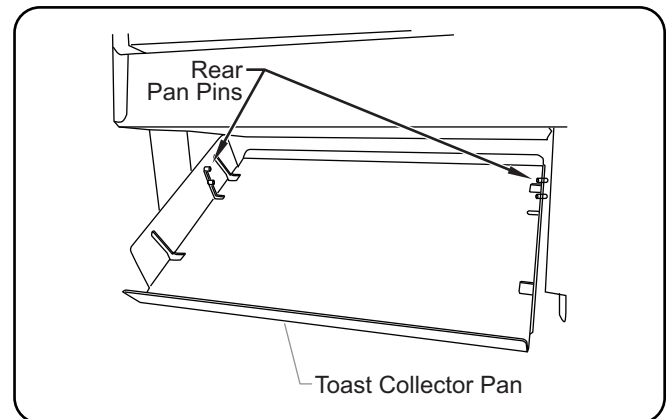
1. Install the discharge chute.
 - Place the curved end inward until the rear lip of the chute is on the rear chute pins.
 - Lower the front slots of the chute onto the front chute pins.
2. Position the toast collector pan, with the open end in first, over the pan pins.
 - Align the slanted notches over the pan pins and lower into place.



TQ-400, -800, -1200, and -1800 Series Front Discharge

For rear discharge:

1. Remove the discharge chute if it is installed. It is not used for rear discharge.
2. Slide the toast collector pan, with the open end first, over the set of pan pins at the rear of the unit.
 - Align the slanted notches over the two sets of rear pan pins and lower into place.



TQ-400, -800, -1200, and -1800 Series Rear Discharge

General

Toast-Qwik® Electric Conveyor Toasters are designed designed for ease of operation. To operate the toaster, perform the appropriate procedure in this section.



Read all safety messages in the **IMPORTANT SAFETY INFORMATION** section before operating this equipment.



BURN HAZARD:

- Some exterior surfaces on unit will get hot. Use caution when touching these areas.
- Do not remove crumb tray for cleaning until toaster is cool.

Always operate toaster with crumb tray installed.

Toasting of coated or buttered products such as garlic bread, cheese sandwiches, and sweet rolls is **NOT** recommended. Residue will reduce toaster performance and could ignite inside toaster. Using toaster with food products listed above will void unit warranty.

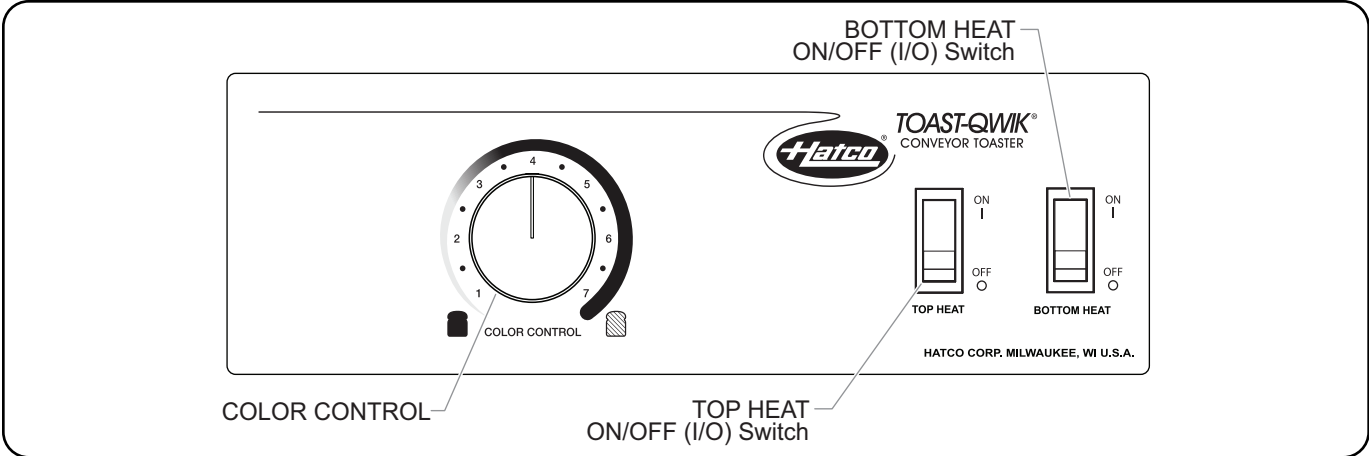
Operating Model TQ-10

1. Plug the unit into a properly grounded electrical receptacle of the correct voltage, size, and plug configuration. See the SPECIFICATIONS section for details.
2. Move the feed ramp to the desired position. Refer to "Adjusting the Toast Feed Ramp" in this section for details.
3. Move the TOP HEAT and/or BOTTOM HEAT switches to the ON (I) position.
 - To toast the **top and bottom sides of the bread**, place the TOP HEAT and BOTTOM HEAT switches in the ON (I) position.
 - To toast on the **top side only**, place the TOP HEAT switch in the ON (I) position and the BOTTOM HEAT switch in the OFF (O) position.
 - To toast on the **bottom side only**, place the TOP HEAT switch in the OFF (O) position and the BOTTOM HEAT switch in the ON (I) position.
4. Turn the COLOR CONTROL to the lightest position while the unit heats up.

NOTE: Allow approximately 15 to 20 minutes for a warm-up period.

5. After warm-up period, set the COLOR CONTROL to the medium position and toast two slices of bread product then re-adjust the COLOR CONTROL to the desired setting.

NOTE: To toast moist products such as English muffins, rye bread, or whole wheat, slow the conveyor by turning the COLOR CONTROL knob to a darker setting (clockwise).



Control Panel – TQ-10 Series

Operating TQ-400, -800, -1200, and -1800 Series

1. Plug the unit into a properly grounded electrical receptacle of the correct voltage, size, and plug configuration. See the SPECIFICATIONS section for details.
2. Move the Power I/O (on/off) switch in the I (on) position.
3. Adjust the Top Heat and/or Bottom Heat controls.
 - For two sided toasting, turn the Top Heat control and Bottom Heat control clockwise to the highest setting.
 - For one sided toasting, turn the Top Heat control clockwise to the highest setting and turn the Bottom Heat control counter-clockwise to the lowest setting.

NOTE: TQ-400BA, -800BA, -800HBA, -1800BA, and -1800HBA toasters are designed specifically for toasting one side of a bread product, such as a bun or bagel. These models toast with the cut side facing up.

NOTE: When toasting a single-sided product such as a bun or bagel, place the product with the cut side facing up. Adjust the Bottom Heat control to a light setting, toast two slices of bread product and adjust the Top Heat and/or Bottom Heat controls as needed.

4. Turn the Color Control to the lowest position while the toaster heats up.

NOTE: Allow approximately 15 to 20 minutes for a warm-up period.

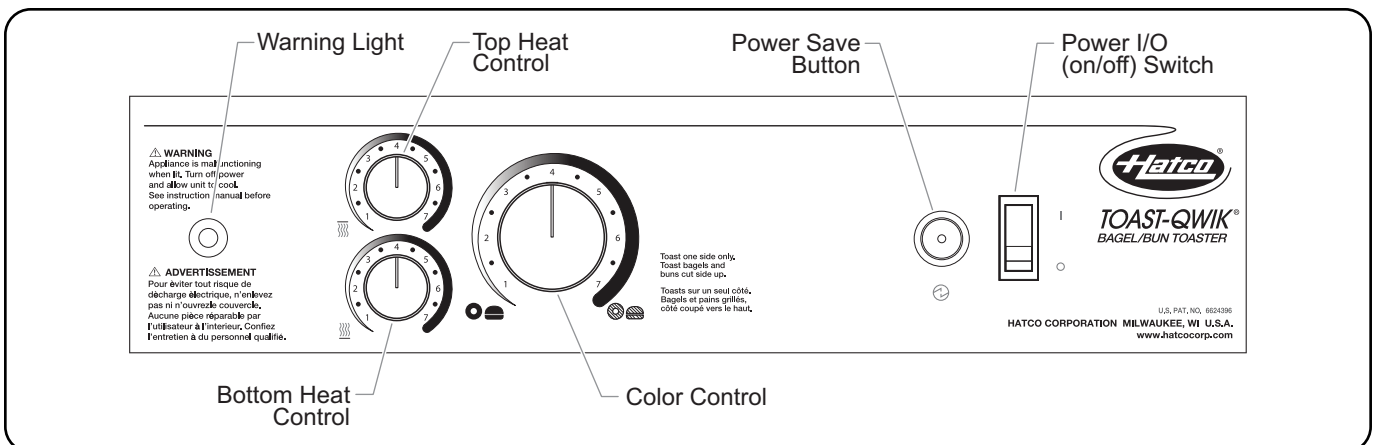
5. After warm-up period, toast two slices of bread product. Adjust the Color Control if needed.

NOTE: If toasted bread product is too dark with the Color Control set on the lightest setting, adjust the Top Heat and/or Bottom Heat controls as needed. (Allow 15 to 20 minutes for toaster to re-adjust to new setting before resuming operation.)

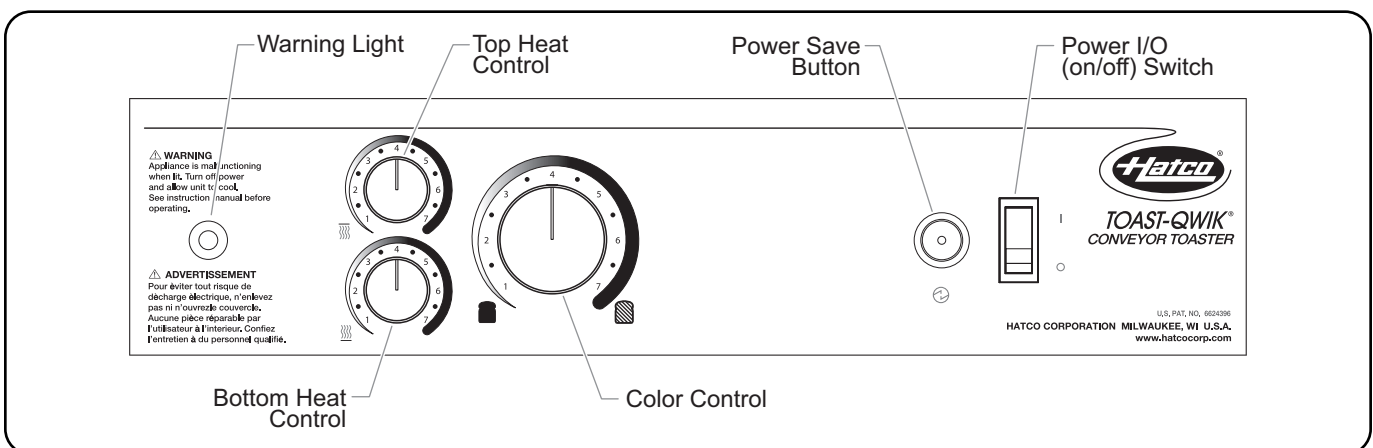
NOTE: To toast moist products such as English Muffins, rye bread or whole wheat, slow the conveyor by turning the Color Control knob to a darker setting (clockwise).

IMPORTANT NOTE

If the Warning light comes on, the unit may be overheating. Turn off and unplug the unit. Refer to the "Daily Cleaning" procedure to clean the cooling fan vents. If the unit does not function properly after cleaning the cooling fan vents, contact an Authorized Service Agent or Hatco for assistance.



Control Panel – TQ-400, -800, -1200, and -1800 Series, Single-Sided Toaster



Control Panel – TQ-400, -800, -1200, and -1800 Series, Two-Sided Toaster

Power Save Mode with Indicator Light

All TQ-400, -800, -1200, and -1800 series toasters have a built-in Power Save Mode with Indicator light feature. This feature reduces power to the heating elements by 50 percent. During Power Save Mode the indicator light on the POWER SAVE button will flash.

To activate Power Save Mode:

1. Press the POWER SAVE button until the indicator light flashes.

To exit Power Save Mode:

1. Press the POWER SAVE button or turn any knob until the indicator light stops flashing.

NOTE: Allow a minimum of 2–3 minutes before toasting. Unit is back up to full power within 10 minutes.

ColorGuard System

All TQ-400, -800, -1200, and -1800 series toasters use a patented *ColorGuard Sensing System* that monitors and automatically adjust conveyor speed during high usage periods to assure toast color uniformity.

NOTE: The ColorGuard Sensing System is inoperable for approximately ten minutes after any heat adjustments are made.

Adjusting the Toast Feed Ramp

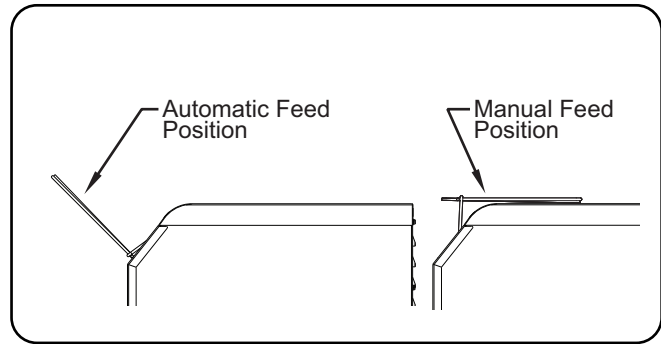
The toast feed ramp is installed at the factory and can be used in two positions.

Automatic Feed Position

For automatic feed, the toast feed ramp should be in an upright position. Bread products enter the toaster by placing them on the feed ramp and releasing.

Manual Feed Position

For manual feed, the toast feed ramp should be in a horizontal position on top of the toaster. Bread products are manually loaded by placing directly on the conveyor belt.



Toast Feed Ramp

General

Hatco Toast-Qwik® Electric Conveyor Toasters are designed for maximum durability and performance with minimum maintenance.

⚠ WARNING

ELECTRIC SHOCK HAZARD:

- Turn OFF power switch, unplug power cord, and allow unit to cool before performing maintenance, cleaning, setup, or attempting to clear a jam.
- DO NOT submerge or saturate with water. Unit is not waterproof. Do not operate if unit has been submerged or saturated with water.
- Do not steam clean or use excessive water on unit.
- This unit is not “jet-proof” construction. Do not use jet-clean spray to clean this unit.
- Do not clean unit when it is energized or hot.
- Do not allow liquids to spill into unit.
- This unit must be serviced by qualified personnel only. Service by unqualified personnel may lead to electric shock or burn.
- Use only Genuine Hatco Replacement Parts when service is required. Failure to use Genuine Hatco Replacement Parts will void all warranties and may subject operators of the equipment to hazardous electrical voltage, resulting in electrical shock or burn. Genuine Hatco Replacement Parts are specified to operate safely in the environments in which they are used. Some aftermarket or generic replacement parts do not have the characteristics that will allow them to operate safely in Hatco equipment.

This unit has no “user-serviceable” parts. If service is required on this unit, contact an Authorized Hatco Service Agent or contact the Hatco Service Department at 800-558-0607 or 414-671-6350; fax 800-690-2966; or International fax 414-671-3976.

Daily Cleaning

To preserve the finish of the unit, it is recommended that the metal surfaces be wiped daily with a damp cloth.

⚠ WARNING

Submerging or saturating unit with water will damage the unit and void unit warranty.

NOTICE

Use non-abrasive cleaners and cloths only. Abrasive cleaners and cloths could scratch finish of unit, marring its appearance and making it susceptible to soil accumulation.

Clean unit daily to avoid malfunctions and maintain sanitary operation.

1. Turn off the unit, unplug the power cord, and allow the unit to cool.
2. Remove and empty the crumb tray and the toast collector pan.
 - a. Wash the crumb tray and the toast collector pan with warm water and a mild detergent. Rinse with water.
 - b. Allow the crumb tray and toast collector pan to air dry, or dry with a soft cloth.

⚠ CAUTION

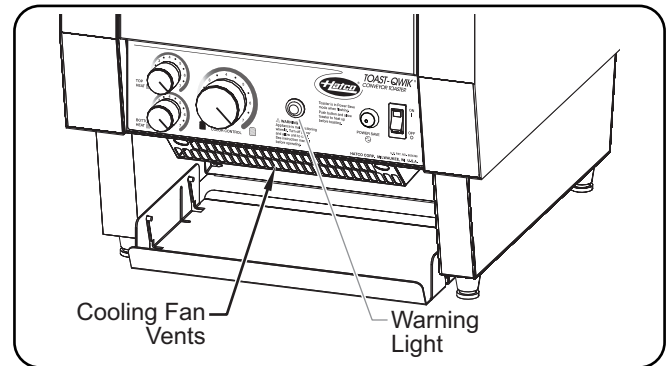
BURN HAZARD: Do not remove crumb tray for cleaning until toaster is cool.

3. Wipe the exterior surfaces of the toaster with a non-abrasive, damp cloth.
4. Stubborn stains may be removed with a good stainless steel cleaner or a non-abrasive cleaner. Hard to reach areas should be cleaned with a small brush and mild soap.

NOTE: The conveyor gear motor and conveyor system are permanently lubricated and require no lubrication.

5. Check the cooling fan vents and clean any debris

NOTE: TQ-400, -800, -1200, and -1800 series toasters are equipped with a cooling fan directly below the control panel area. Check/clean the cooling fan vents monthly or anytime the Warning light illuminates. For excessive buildup, use a vacuum cleaner to clear the vents. Clogged vents will cause the toaster to overheat and shut down.



Cooling Fan Vents (TQ-400 shown)

6. Reinstall the crumb tray and toast collector pan. Refer to the INSTALLATION section for instructions.

Cleaning the Toast Feed Ramp

1. Remove the toast feed ramp by pressing in the two wire spokes and lifting.
2. Wipe clean with a non-abrasive, damp cloth or soak the ramp in a mild solution of 1 cup (227 mL) ammonia and 1 gallon (3.785 L) of water.
3. Reinstall the toast feed ramp by aligning the wire spokes with the holes in the toaster.

Cleaning the Bottom Element Reflector

The bottom heating element reflector inside the toasting chamber has slots that allow bread crumbs to drop through to the crumb tray. Over an extended period of use, bread crumbs may build up on the reflector and not drop through onto the tray.

1. Turn off the unit, unplug the power cord, and allow the unit to cool.
2. Wipe the crumbs onto the crumb tray using a bristle brush.
 - To wipe the reflector, place the bristle brush through the conveyor belt and wipe to each side.
3. Perform the “Daily Cleaning” procedure in this section.



This unit must be serviced by qualified personnel only. Service by unqualified personnel may lead to electric shock or burn.



ELECTRIC SHOCK HAZARD: Turn OFF power switch, unplug power cord, and allow unit to cool before performing any cleaning, setup, or maintenance.

Symptom	Probable Cause	Corrective Action
Toast too light.	Color Control knob set on a light setting.	Turn Color Control knob to a darker setting.
	Supply voltage to unit is low.	Verify the supply voltage to the toaster matches the unit specifications.
Toast too dark.	Color Control knob set on a dark setting.	Turn Color Control knob to a lighter setting.
	Supply voltage to unit is high.	Verify the supply voltage to the toaster matches the unit specifications.
Unit takes too long to toast.	The first few batches can take longer because the toaster needs time to heat up when initially turned on.	Allow toaster to heat up to full operating temperature before inserting bread product (approximately 15–20 minutes).
	Supply voltage to unit is low.	Verify the supply voltage to the toaster matches the unit specifications.
Unit toasts on one side only.	Toaster is a “buns” only model. (Model contains BA in model name.)	Unit is designed to perform in this way.
	Bottom Heat or Top Heat Control set too low.	Turn the Bottom Heat or Top Heat control to a higher setting.
	Heating element defective.	Visually check the heating element inside the toaster during operation. The heating element should glow red. If the element does not glow, Contact Authorized Service Agent or Hatco for assistance.
Toaster trips the circuit breaker or GFCI.	Circuit breaker is not sized properly for the toaster.	Check circuit breaker for proper sizing.
	Wiring fault inside toaster.	Contact Authorized Service Agent or Hatco for assistance.
Toaster conveyor doesn't move.	Bread slices or buns jammed in conveyor track.	Turn off unit, wait for unit to cool, and remove bread product jamming the conveyor.

Troubleshooting Questions?

If you continue to have problems resolving an issue, please contact the nearest Authorized Hatco Service Agency or Hatco for assistance. To locate the nearest Service Agency, log onto the Hatco website at www.hatcocorp.com and click on *Find Service Agent*, or contact the **Hatco Parts and Service Team** at:

Telephone: 800-558-0607 or 414-671-6350

e-mail: partsandservice@hatcocorp.com

Fax: 800-690-2966 or 414-671-3976

Security Cover

The lockable security cover flips up and down to limit access to the control panel.

1. Remove the crumb tray.
2. Remove the two front screws on the platform above the controls.
3. Position the security cover over the control panel, aligning the mounting holes on the security cover with the screw holes on the platform.
4. Reinstall the two screws through the security cover and into the platform. Tighten securely.
5. Reinstall the crumb tray.

Extended Feed Guide

The extended feed guide accessory adds 3" (76 mm) to the feed ramp (not available for TQ-1800 models).

Automatic Power Save Mode

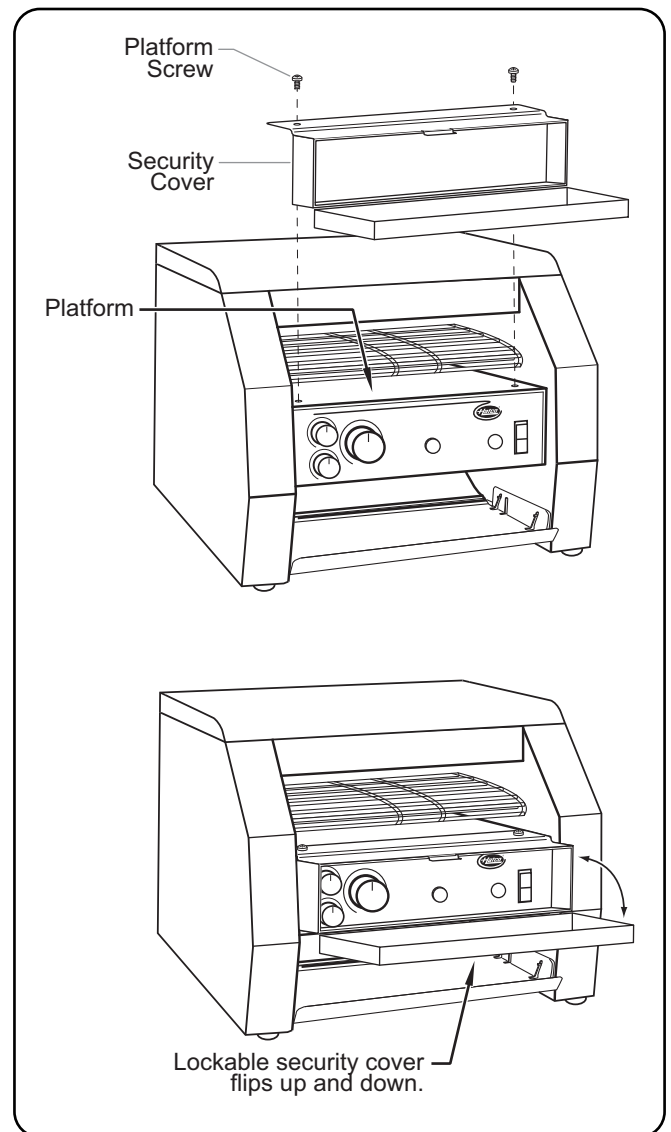
The optional automatic power Save mode feature switches to power save mode after 30 minutes of inactivity (not available for TQ-10 models).

30 Amp Cord (TQ-800 Models)

An optional 30 Amp cord (NEMA 6-30P plug) is available for 208 volt TQ-800 models only.

Receptacles

Receptacles are available as accessories for units using NEMA 5-20P, NEMA 6-20P, or NEMA 6-30P plugs.



Security Cover

1. PRODUCT WARRANTY

Hatco warrants the products that it manufactures (the "Products") to be free from defects in materials and workmanship, under normal use and service, for a period of one (1) year from the date of purchase when installed and maintained in accordance with Hatco's written instructions or 18 months from the date of shipment from Hatco. Buyer must establish the Product's purchase date by registering the Product with Hatco or by other means satisfactory to Hatco in its sole discretion.

Hatco warrants the following Product components to be free from defects in materials and workmanship from the date of purchase (subject to the foregoing conditions) for the period(s) of time and on the conditions listed below:

a) One (1) Year Parts and Labor PLUS One (1) Additional Year Parts-Only Warranty:

Conveyor Toaster Elements (metal sheathed)
Drawer Warmer Elements (metal sheathed)
Drawer Warmer Drawer Rollers and Slides
Strip Heater Elements (metal sheathed)
Display Warmer Elements (metal sheathed air heating)
Holding Cabinet Elements (metal sheathed air heating)
Heated Well Elements — HW and HWB Series
(metal sheathed)

b) One (1) Year Parts and Labor PLUS Four (4) Years Parts-Only Warranty:

3CS and FR Tanks

c) One (1) Year Parts and Labor PLUS Nine (9) Years Parts-Only Warranty on:

Electric Booster Heater Tanks
Gas Booster Heater Tanks

d) Ninety (90) Day Parts-Only Warranty:

Replacement Parts

THE FOREGOING WARRANTIES ARE EXCLUSIVE AND IN LIEU OF ANY OTHER WARRANTY, EXPRESSED OR IMPLIED, INCLUDING BUT NOT LIMITED TO ANY IMPLIED WARRANTY OF MERCHANTABILITY OR FITNESS FOR A PARTICULAR PURPOSE OR PATENT OR OTHER INTELLECTUAL PROPERTY RIGHT INFRINGEMENT. Without limiting the generality of the foregoing, SUCH WARRANTIES DO NOT COVER: Coated incandescent light bulbs, fluorescent lights, heat lamp bulbs, coated halogen light bulbs, halogen heat lamp bulbs, xenon light bulbs, LED light tubes, glass components, and fuses; Product failure in booster tank, fin tube heat exchanger, or other water heating equipment caused by liming, sediment buildup, chemical attack, or freezing; or Product misuse, tampering or misapplication, improper installation, or application of improper voltage.

2. LIMITATION OF REMEDIES AND DAMAGES

Hatco's liability and Buyer's exclusive remedy hereunder will be limited solely, at Hatco's option, to repair or replacement using new or refurbished parts or Product by Hatco or a Hatco-authorized service agency (other than where Buyer is located outside of the United States, Canada, United Kingdom, or Australia, in which case Hatco's liability and Buyer's exclusive remedy hereunder will be limited solely to replacement of part under warranty) with respect to any claim made within the applicable warranty period referred to above. Hatco reserves the right to accept or reject any such claim in whole or in part. In the context of this Limited Warranty, "refurbished" means a part or Product that has been returned to its original specifications by Hatco or a Hatco-authorized service agency. Hatco will not accept the return of any Product without prior written approval from Hatco, and all such approved returns shall be made at Buyer's sole expense. HATCO WILL NOT BE LIABLE, UNDER ANY CIRCUMSTANCES, FOR CONSEQUENTIAL OR INCIDENTAL DAMAGES, INCLUDING BUT NOT LIMITED TO LABOR COSTS OR LOST PROFITS RESULTING FROM THE USE OF OR INABILITY TO USE THE PRODUCTS OR FROM THE PRODUCTS BEING INCORPORATED IN OR BECOMING A COMPONENT OF ANY OTHER PRODUCT OR GOODS.

Informations Importantes pour le Propriétaire	19	Mode d'emploi	29
Introduction	19	Généralités	29
Consignes de Sécurité Importantes	20	Fonctionnement du modèle TQ-10	29
Description du Modèle	21	Fonctionnement des séries TQ-400, -800, -1200, et -1800	30
Désignation du Modèle	22	Réglage de la rampe d'arrivée du pain	31
Caractéristiques Techniques	23	Maintenance	32
Configuration des fiches	23	Généralités	32
Tableau des valeurs nominales électriques	23	Nettoyage quotidien	32
Dimensions	25	Nettoyage de la rampe d'arrivée du pain	32
Installation	27	Nettoyage du réflecteur d'élément inférieur	32
Généralités	27	Guide de Dépannage	33
Installation du système de décharge avant ou arrière	28	Options et accessoires	34
		Garantie Limitée	35
		Autorisés Distributeurs de Pièces	Couverture Arrière

INFORMATIONS IMPORTANTES POUR LE PROPRIÉTAIRE

Notez le numéro de modèle, le numéro de série, la tension et la date d'achat de l'appareil dans les espaces ci-dessous (étiquette des caractéristiques du produit située sur la partie inférieure gauche de l'appareil). Veuillez avoir cette information à portée de la main si vous appelez Hatco pour assistance.

Modèle No. _____

Numéro de série _____

Voltage _____

Date d'achat _____

Enregistrez votre appareil!

Remplissez la garantie en ligne pour éviter les retards pour faire jouer la garantie. Accédez au site Web Hatco www.hatcocorp.com, sélectionnez le menu déroulant Parts & Service, puis cliquez sur Warranty Registration.

Horaires

ouvrables: 7h00 à 17h00
Heure du Centre des États-Unis (CST)
(Horaires d'été : juin à septembre—
7h00 à 17h00 CST du lundi au jeudi
7h00 à 16h00 CST le vendredi)

Téléphone : 800-558-0607; 414-671-6350

Courriel : partsandservice@hatcocorp.com

Télécopieur : 800-690-2966 (Pièces et Service après-vente)
414-671-3976 (International)



Service d'assistance et de pièces de rechange disponible 7j/7, 24h/24 aux États-Unis et au Canada en composant le 800-558-0607.

Des renseignements supplémentaires sont disponibles sur notre site Web à www.hatcocorp.com.

INTRODUCTION

Les grille-pain électriques à convoyeur Toast-Qwik® Hatco sont conçus spécialement pour griller le pain plus rapidement. Les produits destinés à être grillés traversent une chambre chauffée et sont grillés rapidement et minutieusement. La teneur en humidité, la teneur en sucre et l'épaisseur du produit de panification influent sur la capacité à obtenir un produit parfaitement grillé. La vitesse du convoyeur et la température déterminent la couleur du pain grillé.

Les grille-pain de Hatco répondent à des normes de qualité conformes aux exigences du secteur de la restauration et offrent des performances optimales pendant des années. Les éléments métalliques chauffants tubulaires sont garantis deux ans contre toute rupture et panne électrique.

Les grille-pain électriques à convoyeur Toast-Qwik Hatco font l'objet de recherches approfondies et d'essais. Les matériaux utilisés ont été sélectionnés pour une durabilité maximale, une apparence attractive et des performances optimales. Chaque appareil est soigneusement inspecté et testé avant expédition.

Ce manuel fournit les instructions d'installation, les consignes de sécurité et le mode d'emploi pour les grille-pain électriques à convoyeur Toast-Qwik. Hatco vous recommande de lire l'ensemble des instructions d'installation et d'utilisation et toutes les consignes de sécurité dans ce manuel avant d'installer et d'utiliser l'appareil.

Les consignes de sécurité qui apparaissent dans ce manuel sont identifiées par les mots indicateurs suivants :

AVERTISSEMENT

AVERTISSEMENT indique une situation dangereuse qui, si elle n'est pas évitée, peut provoquer la mort ou des blessures graves.

ATTENTION

ATTENTION indique une situation dangereuse qui, si elle n'est pas évitée, peut provoquer des blessures légères ou moyennes.

AVIS

AVIS est utilisé pour des questions sans rapport avec des blessures corporelles.



Lisez l'information de sécurité importante suivante avant d'utiliser cet équipement pour éviter des dommages ou la mort sérieux et pour éviter d'endommager l'équipement ou la propriété.

⚠ AVERTISSEMENT

DANGER DE DÉCHARGE ÉLECTRIQUE :

- Brancher l'appareil sur une prise électriques avec terre de tension, de format et de configuration des broches corrects. Si la fiche et la prise électriques ne se correspondent pas, s'adresser à un électricien qualifié pour déterminer et installer une prise électrique de format et de tension corrects.
- Placez l'interrupteur sur OFF (arrêt), débranchez le cordon d'alimentation, et laissez l'appareil refroidir avant tout entretien, nettoyage, réglage ou avant de retirer du pain bloqué.
- L'appareil n'est pas à l'épreuve des intempéries. Placez l'unité à l'intérieur d'un local dont la température ambiante se situe entre 21°C (70 °F) et 29°C (85°F).
- **NE PAS immerger l'appareil ni le saturer d'eau.** L'appareil n'est pas étanche à l'eau. Ne pas le faire fonctionner s'il a été immergé ou saturé d'eau.
- Ne pas nettoyer à la vapeur ni utiliser trop d'eau sur l'appareil.
- Cet appareil n'est pas étanche aux jets. Ne pas utiliser de jet sous pression pour nettoyer l'appareil.
- Ne pas nettoyer l'appareil lorsqu'il est sous tension.
- Ne renversez pas de liquides dans l'appareil.
- Ne tirez pas l'unité par le cordon d'alimentation.
- Interrompez l'utilisation de l'unité si le cordon d'alimentation est effiloché ou usé.
- N'essayez jamais de réparer ou de remplacer un cordon d'alimentation. Celui-ci devra être remplacé par Hatco, un agent de service agréé par Hatco ou une personne possédant des qualifications similaires.
- N'insérez jamais un couteau, une fourchette ou un objet similaire dans la chambre de grillage.
- Ne saisissez pas le grille-pain en introduisant vos doigts dans l'ouverture d'alimentation.
- Cet appareil doit uniquement être réparé par un personnel qualifié. Toute réparation par un personnel non qualifié peut entraîner une électrocution et des brûlures.
- Pour les réparations, utiliser exclusivement des pièces de rechange Hatco d'origine. Utilisez des pièces détachées Hatco authentiques sous peine d'annuler toutes les garanties et d'exposer l'utilisateur à des tensions électriques dangereuses pouvant entraîner une électrocution ou des brûlures. Les pièces de rechange Hatco d'origine sont conçues pour fonctionner sans danger dans les environnements dans lesquels elles sont utilisées. Certaines pièces de rechange génériques ou de second marché ne présentent pas les caractéristiques leur permettant de fonctionner sans danger dans la matériel Hatco.

RISQUE D'EXPLOSION : Ne conservez pas ou n'utilisez pas d'essence ou d'autres vapeurs ou liquides inflammables à proximité de ces plaques ou de tout autre appareil.

Si le grille-pain surchauffe ou si les ventilateurs de refroidissement à l'intérieur de l'appareil arrêtent de fonctionner, l'interrupteur de sécurité haute température arrêtera le grille-pain. Contacter un agent de service agréé ou Hatco pour obtenir une assistance.

⚠ AVERTISSEMENT

DANGER D'INCENDIE :

- Pour une décharge à l'avant : Laissez une distance minimale de 25 mm (1") sur les côtés et à l'arrière de l'appareil. Laissez un jeu d'au moins 305 mm (12") à l'avant. Si ces distances de sécurité ne sont pas respectées, une décoloration ou une combustion peut se produire.
- Pour une décharge à l'arrière : Laissez une distance minimale de 25 mm (1") sur les côtés de l'appareil. Laissez une distance minimale de 305 mm (12") à l'avant et à l'arrière. Si ces distances de sécurité ne sont pas respectées, une décoloration ou une combustion peut se produire.
- Ne placez pas le grille-pain sur une étagère ou à moins de 305 mm (12") du plafond.
- Ne posez rien sur le grille-pain. Ne placez pas le grille-pain à proximité ou en dessous de rideaux ou d'autres matériaux inflammables. Les éléments situés à proximité du grille-pain ou sur celui-ci peuvent prendre feu et entraîner des blessures et/ou endommager le grille-pain.
- En cas d'incendie, débranchez immédiatement le grille-pain . L'appareil pourra alors refroidir et il sera alors plus facile et plus sûr d'éteindre l'incendie.

Assurez-vous que tous les opérateurs ont été formés à l'utilisation sûre et correcte de l'appareil.

Cet appareil ne doit pas être utilisé par des enfants ou des personnes avec des capacités physiques, sensorielles ou mentales diminuées. Assurez-vous que les enfants sont bien surveillés et tenez-les à l'écart de l'appareil.

Cet appareil ne contient aucune pièce réparable par l'utilisateur. Si cet appareil doit être réparé, contacter un réparateur Hatco agréé ou le Service après-vente Hatco au 800-558-0607 ou 414-671-6350 ; télécopieur 800-690-2966; télécopieur internationale 414-671-3976.

⚠ ATTENTION

DANGER DE BRÛLURE :

- Certaines surfaces extérieures de l'appareil deviennent chaudes. Toucher ces zones de l'appareil avec précaution.
- Retirez le tiroir ramasse-miettes pour le laver uniquement lorsque le grille-pain est froid.

Placez l'appareil à une hauteur de comptoir adaptée et sur un emplacement pratique pour son utilisation. L'emplacement choisi doit être de niveau et solide afin de supporter le poids de l'appareil et de son contenu.

Utilisez toujours le grille-pain lorsque le tiroir ramasse-miettes est installé dans l'appareil.

Si le témoin s'allume, l'appareil présente un dysfonctionnement. Arrêtez l'appareil ou débranchez-le et faites-le contrôler par un technicien qualifié.

Il est déconseillé de griller des produits enrobés ou beurrés, comme du pain à l'ail, des tartines au fromage ou des brioches. Les résidus réduiront la performance du grille-pain et pourraient l'enflammer. L'utilisation du grille-pain pour griller les aliments cités précédemment annulera la garantie de l'appareil.

AVIS

Ne placez pas l'appareil dans une zone exposée à des températures supérieures à 29°C (85°F) ou soumise à la graisse des grills, des friteuses, etc. Des températures excessives et la graisse risquent d'endommager l'appareil.

Ne placez pas le grille-pain dans une zone qui réduit le flux d'air autour de l'avant et de l'arrière de l'appareil. Ne placez pas le grille-pain dans le chemin de déchargement direct des bouches de ventilation ou des bouches d'air de compensation.

Les dommages à toute partie du comptoir pouvant être causés par la chaleur générée par l'équipement de Hatco ne sont pas couverts par la garantie de Hatco. Contactez le fabricant du comptoir pour obtenir des renseignements.

AVIS

Utilisez uniquement des nettoyeurs non abrasifs et des chiffons doux. Les chiffons et nettoyeur abrasifs pourraient rayer la finition de l'unité, altérant son apparence et la rendant vulnérable à l'accumulation de saleté.

Cet appareil est réservé à un usage professionnel uniquement — il ne convient PAS à un usage personnel.

Nettoyez l'unité quotidiennement pour éviter les dysfonctionnements et assurer un fonctionnement sain.

DESCRIPTION DU MODÈLE**Tous les Modèles**

Tous les grille-pain électriques à convoyeur Toast-Qwik® sont rapides, fiables et polyvalents, grillant de 300 à 1800 tranches de pain à l'heure, selon le modèle. La décharge avant ou arrière permet à l'opérateur de placer le grille-pain Toast-Qwik à l'endroit le plus pratique. Chaque grille-pain Toast-Qwik inclut un bac de récupération de pain grillé, une rampe d'arrivée du pain, un bac à miettes amovible et un cordon de 1829 mm (6 pieds) avec fiche, pré-attaché en usine.

Mode Économie D'Énergie Et Voyant Associé

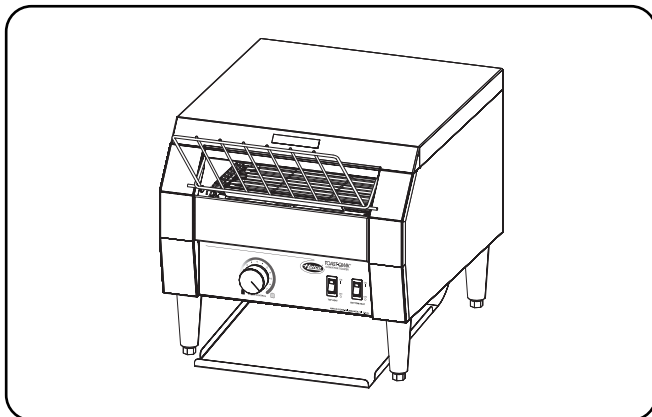
Tous les modèles de grille-pain des séries TQ-400, TQ-800 et TQ-1800 ont un mode Économie d'énergie. Dans ce mode, le voyant du panneau avant clignote. Lorsqu'il clignote, le grille-pain fonctionne en consommant moitié moins d'énergie. Pour rétablir la pleine puissance en moins de 10 minutes, appuyer sur n'importe quel bouton ou tourner un sélecteur.

Système ColorGuard

Tous les grille-pain des séries TQ-400, TQ-800 et TQ-1800 sont équipés d'un système de détection ColorGuard qui surveille et règle automatiquement la vitesse du convoyeur durant les périodes de forte demande pour assurer la coloration uniforme du pain grillé.

Modèle TQ-10

Le modèle TQ-10 permet de faire griller du pain de 38 mm (1-1/2") d'épaisseur et 245 mm (9-5/8") de largeur maximum. Le TQ-10 est fourni équipé de pieds réglables de 102 mm (4").



Modèle TQ-10

Modèle TQ-400

Le modèle TQ-400 permet de faire griller du pain de 44 mm (1-3/4") d'épaisseur et 245 mm (9-5/8") de largeur maximum.

Modèle TQ-405

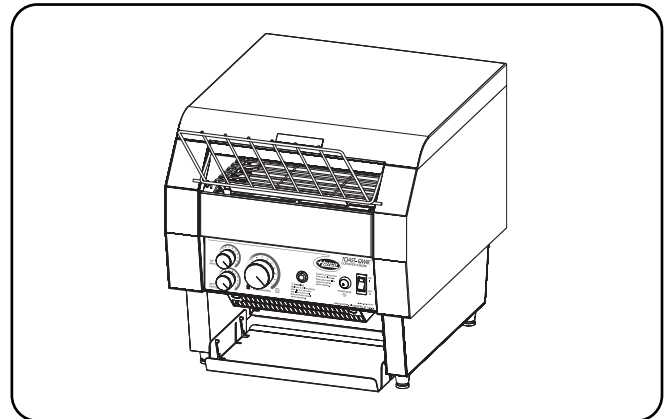
Le modèle TQ-405 permet de faire griller du pain à forte teneur en eau ou dense de 44 mm (1-3/4") d'épaisseur et 245 mm (9-5/8") de largeur maximum.

Modèle TQ-400H

Le modèle TQ-400H a une ouverture de 3" (76 mm) de largeur compatible avec les pains de 2-3/4" (70 mm) d'épaisseur et 9-5/8" (244 mm) de largeur.

Modèle TQ-400BA

Le modèle TQ-400BA permet de faire griller rapidement sur une face des bagels ou petits pains coupés en deux, de 44 mm (1-3/4") d'épaisseur et 245 mm (9-5/8") de largeur maximum. La plupart des produits peuvent être grillés en 45 secondes. La coloration se fait sur la face coupée tournée vers le haut.



Série TQ-400 (Modèle TQ-400 présenté ici)

Modèle TQ-800

Le modèle TQ-800 permet de faire griller du pain de 44 mm (1-3/4") d'épaisseur et 244 mm (9-5/8") de largeur maximum.

Modèle TQ-805

Le modèle TQ-805 permet de faire griller du pain à forte teneur en eau ou dense de 44 mm (1-3/4") d'épaisseur et 244 mm (9-5/8") de largeur maximum.

Modèle TQ-800H

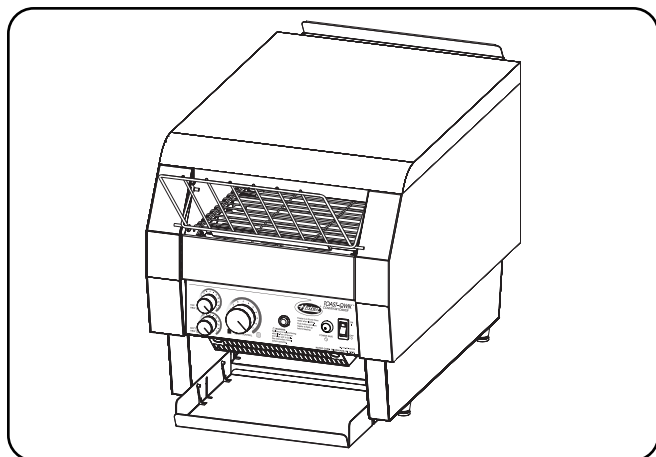
Le modèle TQ-800H a une ouverture de 76 mm (3") de largeur compatible avec les pains de 70 mm (2-3/4") d'épaisseur et 244 mm (9-5/8") de largeur.

Modèle TQ-800BA

Le modèle TQ-800BA permet de faire griller rapidement sur une face des bagels ou petits pains coupés en deux, d'une épaisseur comprise entre 44 mm (1-3/4") et 244 mm (9-5/8"). La plupart des produits peuvent être grillés en 30 secondes. La coloration se fait sur la face coupée tournée vers le haut.

Modèle TQ-800HBA

Le modèle TQ-800HBA, polyvalent et performant, peut griller une face de bagel ou petit pain coupé en deux en 30 secondes minimum. La coloration se fait sur la face coupée tournée vers le haut. La taille maximale de produit permise est de 70 mm (2-3/4") d'épaisseur et 244 mm (9-5/8") de largeur.



Série TQ-800 (Modèle TQ-800H présenté ici)

Modèle TQ-1200

Le TQ-1200 est un grille-pain grande vitesse équipé d'un convoyeur accéléré permettant une coloration plus rapide durant les périodes de forte demande. Deux tranches de pain peuvent être grillées en 15 secondes. Ce modèle est capable de griller du pain de 44 mm (1-3/4") d'épaisseur et 244 mm (9-5/8") de largeur maximum.

Modèle TQ-1800

Le modèle TQ-1800 permet de faire griller du pain de 44 mm (1-3/4") d'épaisseur et 346 mm (13-5/8") de largeur maximum.

Modèle TQ-1800H

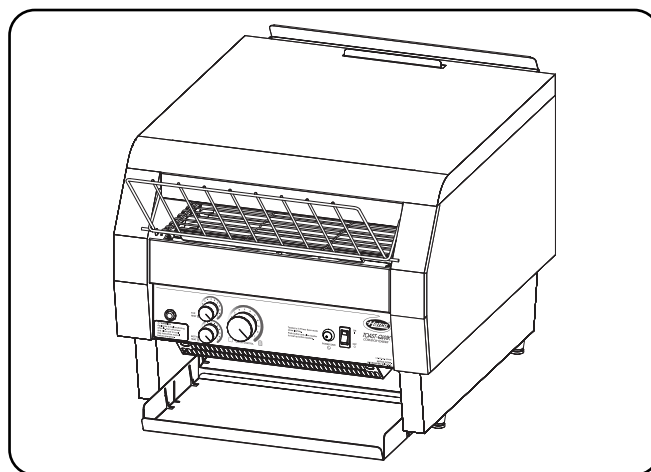
Le modèle TQ-1800H a une ouverture de 76 mm (3") de largeur compatible avec les pains de 70 mm (2-3/4") d'épaisseur et 346 mm (13-5/8") de largeur.

Modèle TQ-1800BA

Le modèle TQ-1800BA permet de faire griller rapidement sur une face des bagels ou petits pains coupés en deux, de 44 mm (1-3/4") d'épaisseur et 346 mm (13-5/8") de largeur maximum. La plupart des produits peuvent être grillés en 15 secondes. La coloration se fait sur la face coupée tournée vers le haut.

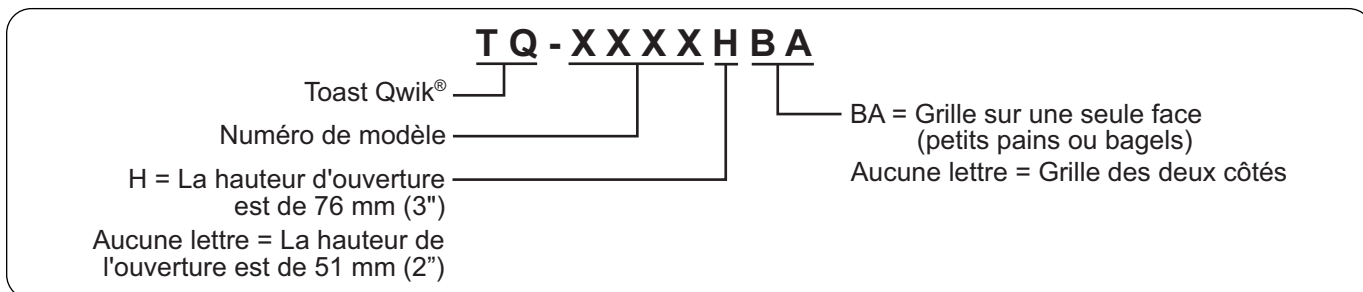
Modèle TQ-1800HBA

Le modèle TQ-1800HBA, polyvalent et performant, peut griller une face de bagel ou petit pain coupé en deux en 15 secondes minimum. La coloration se fait sur la face coupée tournée vers le haut. La taille maximale de produit permise est de 70 mm (2-3/4") d'épaisseur et 346 mm (13-5/8") de largeur lorsque 3 produits sont placés côte à côte.



Série TQ-1800 (Modèle TQ-1800 présenté ici)

DÉSIGNATION DU MODÈLE



Configuration des fiches

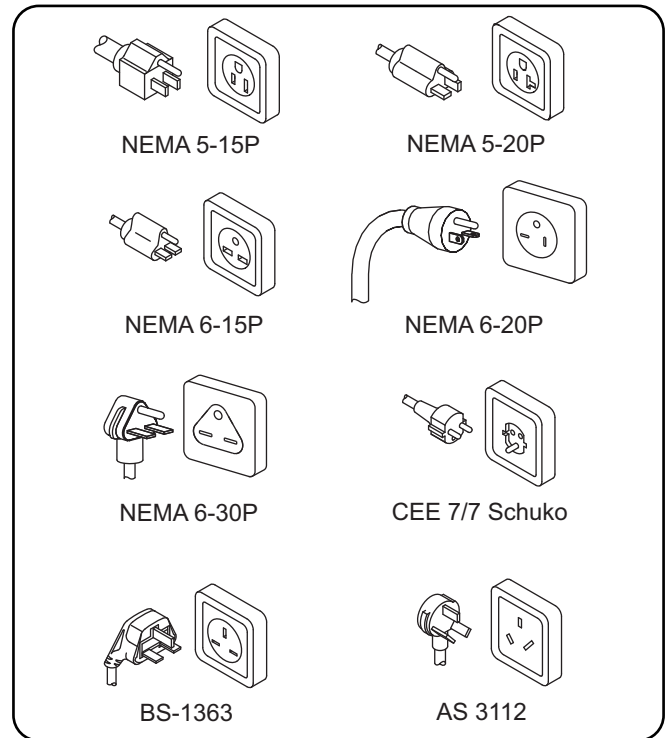
Les appareils sont fournis par l'usine avec un cordon et une fiche. Les fiches fournies correspondent à leur application.

⚠ AVERTISSEMENT

DANGER DE DÉCHARGE ÉLECTRIQUE: Brancher l'appareil sur une prise électriques avec terre de tension, de format et de configuration des broches corrects. Si la fiche et la prise électriques ne se correspondent pas, s'adresser à un électricien qualifié pour déterminer et installer une prise électrique de format et de tension corrects.

NOTA: Les prise électriques ne sont pas fournies par Hatco, mais sont disponibles comme accessoires.

NOTA: Étiquette de caractéristiques techniques située sur le côté de l'appareil. Consultez l'étiquette pour connaître le numéro de série et vérifier les caractéristiques électriques de l'appareil.



Configuration des fiches

Tableau des valeurs nominales électriques — Modèles TQ-10

Modèle	Tension	Hertz	Intensité	Amps	Configuration de Fiches	Poids d'embarquement
TQ-10	120	60	1800	15.0	NEMA 5-15P*	19 kg (42 lbs.)
	208	60	1830	8.8	NEMA 6-15P	19 kg (42 lbs.)
	240	60	1830	7.6	NEMA 6-15P	19 kg (42 lbs.)
	200	50/60	2070	10.4	AS 3112	19 kg (42 lbs.)
	220–230 (CE)	50/60	1866–2048	8.5–8.9	CEE 7/7, BS-1363, or AS 3112	19 kg (42 lbs.)
	230–240 (CE)	50/60	2048–2221	8.9–9.3	CEE 7/7, BS-1363, or AS 3112	19 kg (42 lbs.)

Les informations électriques grisées dans le tableau désignent les modèles destinés à internationaux uniquement.

* NEMA 5-20P pour le Canada.

Tableau des valeurs nominales électriques — Série TQ-400

Modèle	Tension	Hertz	Intensité	Amps	Configuration de Fiches	Poids d'embarquement
TQ-400	120	60	1800	15.0	NEMA 5-15P*	21 kg (46 lbs.)
	208	60	2230	10.7	NEMA 6-15P	21 kg (46 lbs.)
	240	60	2230	9.3	NEMA 6-15P	21 kg (46 lbs.)
	200	50/60	2064	10.3	AS 3112	21 kg (46 lbs.)
	220–230 (CE)	50/60	1860–2030	8.5–8.8	CEE 7/7, BS-1363, or AS 3112	21 kg (46 lbs.)
	230–240 (CE)	50/60	2030–2210	8.8–9.2	CEE 7/7, BS-1363, or AS 3112	21 kg (46 lbs.)
TQ-405	220–230 (CE)	50/60	2131–2330	9.7–10.1	CEE 7/7, BS-1363, or AS 3112	21 kg (46 lbs.)
	230–240 (CE)	50/60	2030–2210	8.8–9.2	CEE 7/7, BS-1363, or AS 3112	21 kg (46 lbs.)
TQ-400H	208	60	2230	10.7	NEMA 6-15P	21 kg (46 lbs.)
	240	60	2230	9.3	NEMA 6-15P	21 kg (46 lbs.)
	200	50/60	2064	10.3	AS 3112	21 kg (46 lbs.)
	220–230 (CE)	50/60	2131–2330	9.7–10.1	CEE 7/7, BS-1363, or AS 3112	21 kg (46 lbs.)
	230–240 (CE)	50/60	2030–2210	8.8–9.2	CEE 7/7, BS-1363, or AS 3112	21 kg (46 lbs.)
TQ-400BA	120	60	1780	14.8	NEMA 5-15P*	21 kg (46 lbs.)
	208	60	1880	9.0	NEMA 6-15P	21 kg (46 lbs.)
	240	60	1880	7.8	NEMA 6-15P	21 kg (46 lbs.)
	200	50/60	1878	9.4	AS 3112	21 kg (46 lbs.)
	220–230 (CE)	50/60	1765–1930	8.0–8.4	CEE 7/7, BS-1363, or AS 3112	21 kg (46 lbs.)
	230–240 (CE)	50/60	1930–2100	8.4–8.8	CEE 7/7, BS-1363, or AS 3112	21 kg (46 lbs.)

Tableau des valeurs nominales électriques — Série TQ-800

Modèle	Tension	Hertz	Intensité	Amps	Configuration de Fiches	Poids d'embarquement
TQ-800	208	60	3330	16.0	NEMA 6-20P†	28 kg (62 lbs.)
	240	60	3330	13.9	NEMA 6-15P‡	28 kg (62 lbs.)
	200	50/60	3050	15.3	Sans prise	28 kg (62 lbs.)
	220–230 (CE)	50/60	3019–3330	13.7–14.4	Sans prise	28 kg (62 lbs.)
	230–240 (CE)	50/60	3300–3593	14.4–15.0	Sans prise	28 kg (62 lbs.)
TQ-805	230–240 (CE)	50/60	3300–3593	14.4–15.0	Sans prise	28 kg (62 lbs.)
TQ-800H	208	60	3330	16.0	NEMA 6-20P†	28 kg (62 lbs.)
	240	60	3330	13.9	NEMA 6-15P‡	28 kg (62 lbs.)
	200	50/60	3050	15.3	Sans prise	28 kg (62 lbs.)
	220–230 (CE)	50/60	3019–3300	13.7–14.4	Sans prise	28 kg (62 lbs.)
	230–240 (CE)	50/60	3300–3593	14.4–15.0	Sans prise	28 kg (62 lbs.)
TQ-800BA	208	60	3280	15.8	NEMA 6-20P†	28 kg (62 lbs.)
	240	60	3280	13.7	NEMA 6-15P‡	28 kg (62 lbs.)
	200	50/60	3003	15.0	Sans prise	28 kg (62 lbs.)
	220–230 (CE)	50/60	2791–3050	12.7–13.3	Sans prise	28 kg (62 lbs.)
	230–240 (CE)	50/60	3050–3321	13.3–13.9	Sans prise	28 kg (62 lbs.)
TQ-800HBA	208	60	3280	15.8	NEMA 6-20P†	28 kg (62 lbs.)
	240	60	3280	13.7	NEMA 6-15P‡	28 kg (62 lbs.)
	200	50/60	3003	15.0	Sans prise	28 kg (62 lbs.)
	220–230 (CE)	50/60	2791–3050	12.7–13.3	Sans prise	28 kg (62 lbs.)
	230–240 (CE)	50/60	3050–3321	13.3–13.9	Sans prise	28 kg (62 lbs.)

* NEMA 6-20P pour le Canada.

† Disponible avec le cordon d'alimentation 6-30P en option.

‡ NEMA 6-20P pour le Canada.

NOTA: TQ-800, TQ-805, TQ-800H, TQ-800BA et TQ-800HBA 200 V, 220–230 V (CE) et 230–240 V (CE) équipés d'un cordon de 1 829 mm attaché, sans fiche.

Tableau des valeurs nominales électriques — Modèles TQ-1200

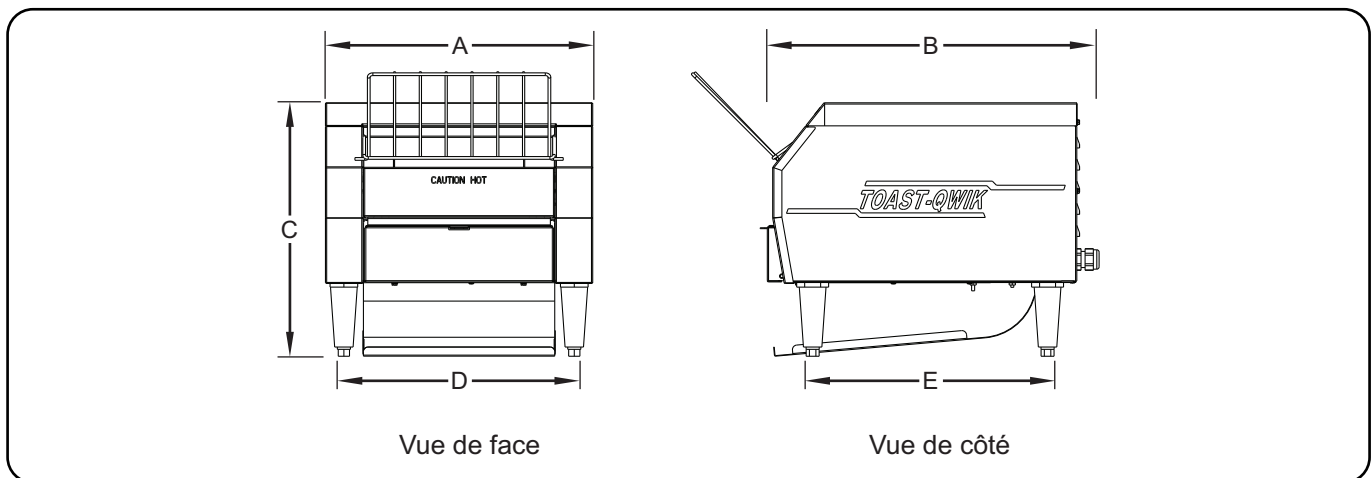
Modèle	Tension	Hertz	Intensité	Amps	Configuration de Fiches	Poids d'embarquement
TQ-1200	208	60	4030	19.4	NEMA 6-30P	30 kg (65 lbs.)
	240	60	4030	16.8	NEMA 6-30P	30 kg (65 lbs.)

Tableau des valeurs nominales électriques — Modèles TQ-1800

Modèle	Tension	Hertz	Intensité	Amps	Configuration de Fiches	Poids d'embarquement
TQ-1800	208	60	4440	21.4	NEMA 6-30P	33 kg (73 lbs.)
	240	60	4440	18.5	NEMA 6-30P	33 kg (73 lbs.)
TQ-1800H	208	60	4650	22.4	NEMA 6-30P	33 kg (73 lbs.)
	240	60	4650	19.4	NEMA 6-30P	33 kg (73 lbs.)
TQ-1800BA	208	60	4580	22.0	NEMA 6-30P	33 kg (73 lbs.)
	240	60	4580	19.1	NEMA 6-30P	33 kg (73 lbs.)
TQ-1800HBA	208	60	4580	22.0	NEMA 6-30P	33 kg (73 lbs.)
	240	60	4580	19.1	NEMA 6-30P	33 kg (73 lbs.)

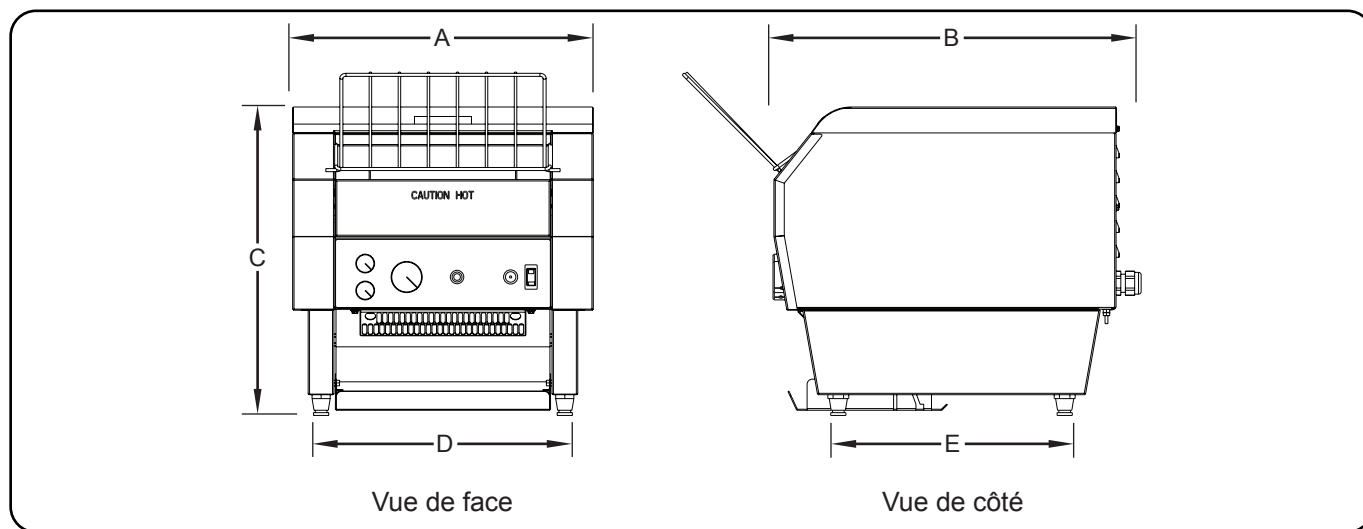
Dimensions — Modèle TQ-10

Modèle	Largeur (A)	Profondeur (B)	Hauteur (C)	Empattement Largeur (D)	Empattement Profondeur (E)
TQ-10	368 mm (14-1/2")	451 mm (17-3/4")	378 mm (13-3/4")	333 mm (13-1/8")	340 mm (13-3/8")



Dimensions – Série TQ-400, -405, -400H, -800, -805, -1200, et -1800

Modèle	Largeur (A)	Profondeur (B)	Hauteur (C)	Empattement Largeur (D)	Empattement Profondeur (E)
TQ-400	368 mm (14-1/2")	451 mm (17-3/4")	378 mm (14-7/8")	314 mm (12-3/8")	295 mm (11-5/8")
TQ-405	368 mm (14-1/2")	451 mm (17-3/4")	378 mm (14-7/8")	314 mm (12-3/8")	295 mm (11-5/8")
TQ-400H	368 mm (14-1/2")	451 mm (17-3/4")	403 mm (15-7/8")	314 mm (12-3/8")	295 mm (11-5/8")
TQ-400BA	368 mm (14-1/2")	451 mm (17-3/4")	378 mm (14-7/8")	314 mm (12-3/8")	295 mm (11-5/8")
TQ-800	368 mm (14-1/2")	578 mm (22-3/4")	422 mm (16-5/8")	314 mm (12-3/8")	344 mm (13-1/2")
TQ-805	368 mm (14-1/2")	578 mm (22-3/4")	422 mm (16-5/8")	314 mm (12-3/8")	344 mm (13-1/2")
TQ-800H	368 mm (14-1/2")	578 mm (22-3/4")	422 mm (16-5/8")	314 mm (12-3/8")	344 mm (13-1/2")
TQ-800BA	368 mm (14-1/2")	578 mm (22-3/4")	422 mm (16-5/8")	314 mm (12-3/8")	344 mm (13-1/2")
TQ-800HBA	368 mm (14-1/2")	578 mm (22-3/4")	422 mm (16-5/8")	314 mm (12-3/8")	344 mm (13-1/2")
TQ-1200	368 mm (14-1/2")	578 mm (22-3/4")	422 mm (16-5/8")	314 mm (12-3/8")	344 mm (13-1/2")
TQ-1800	470 mm (18-1/2")	578 mm (22-3/4")	422 mm (16-5/8")	416 mm (16-3/8")	344 mm (13-1/2")
TQ-1800H	470 mm (18-1/2")	578 mm (22-3/4")	422 mm (16-5/8")	416 mm (16-3/8")	344 mm (13-1/2")
TQ-1800BA	470 mm (18-1/2")	578 mm (22-3/4")	422 mm (16-5/8")	416 mm (16-3/8")	344 mm (13-1/2")
TQ-1800HBA	470 mm (18-1/2")	578 mm (22-3/4")	422 mm (16-5/8")	416 mm (16-3/8")	344 mm (13-1/2")



Généralités

Les composants des grille-pain électriques à convoyeur Toast-Qwik® Hatco sont déjà assemblés lors de l'expédition. Veillez à ne pas endommager l'unité ou ses composants lors du déballage du carton d'expédition.

⚠ AVERTISSEMENT

Danger de décharge électrique : L'appareil n'est pas à l'épreuve des intempéries. Placez l'unité à l'intérieur d'un local dont la température ambiante se situe entre 21°C (70 °F) et 29°C (85°F).

RISQUE D'EXPLOSION : Ne conservez pas ou n'utilisez pas d'essence ou d'autres vapeurs ou liquides inflammables à proximité de ces plaques ou de tout autre appareil.

DANGER D'INCENDIE :

- Ne placez pas le grille-pain sur une étagère ou à moins de 305 mm (12") du plafond.
- Ne posez rien sur le grille-pain. Ne placez pas le grille-pain à proximité ou en dessous de rideaux ou d'autres matériaux inflammables. Les éléments situés à proximité du grille-pain ou sur celui-ci peuvent prendre feu et entraîner des blessures et/ou endommager le grille-pain.

1. Sortir l'appareil de sa boîte.

NOTA: Pour éviter des retards dans l'obtention de la couverture de la garantie, complétez l'enregistrement en ligne de votre garantie. Lisez la section INFORMATIONS IMPORTANTES POUR LE PROPRIÉTAIRE pour plus de détails.

2. Retirez le ruban et l'emballage de protection de toutes les surfaces de l'appareil.

⚠ ATTENTION

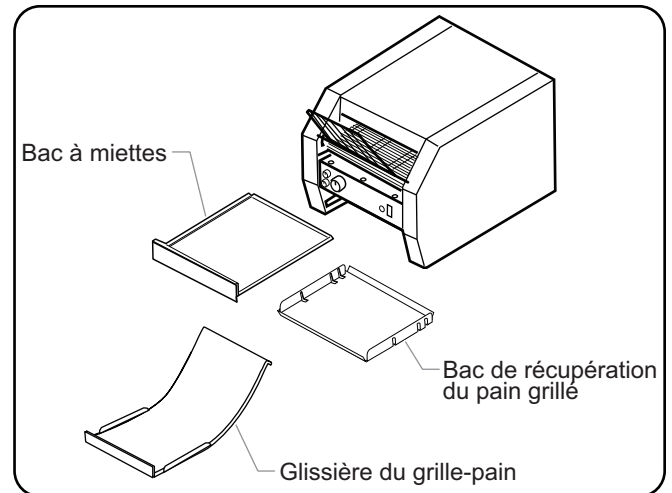
Placez l'appareil à une hauteur de comptoir adaptée et sur un emplacement pratique pour son utilisation. L'emplacement choisi doit être de niveau et solide afin de supporter le poids de l'appareil et de son contenu.

AVIS

Ne placez pas l'appareil dans une zone exposée à des températures supérieures à 29°C (85°F) ou soumise à la graisse des grils, des friteuses, etc. Des températures excessives et la graisse risquent d'endommager l'appareil.

3. Placez l'unité à l'emplacement souhaité.
 - Placez l'appareil dans une zone où la température ambiante est constante et se situe entre 21°C (70°F) et 29°C (85°F). Évitez les zones pouvant être soumises à des mouvements d'air ou à des courants d'air actifs (c.-à-d. à proximité des ventilateurs/capots d'échappement et des conduites de climatisation).
 - Assurez-vous que l'unité est placée à une hauteur appropriée dans une zone facilitant son utilisation.
 - Veillez à ce que le comptoir soit plat et assez résistant pour supporter le poids de l'unité et des produits alimentaires.
 - Veuillez vous assurer que tous les pieds en-dessous de l'appareil sont fermement positionnés sur le comptoir.
4. Si nécessaire, mettez l'unité à niveau en tournant les pieds de mise à niveau sur chaque patte.

5. Installez la glissière de décharge avant ou arrière. Consultez la procédure « Installation du système de décharge avant ou arrière » de cette section.

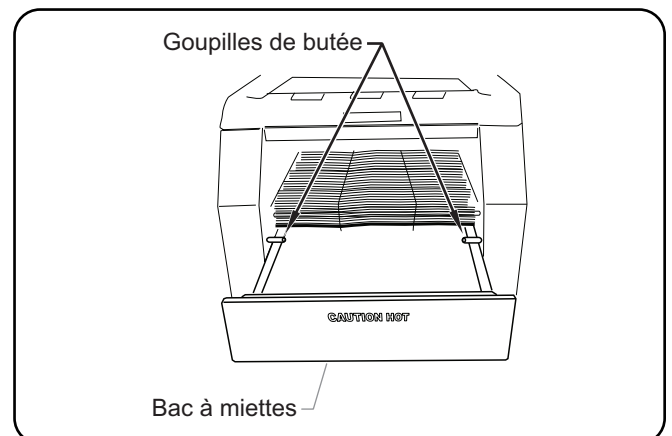


Composants

⚠ ATTENTION

Utilisez toujours le grille-pain lorsque le tiroir ramasse-miettes est installé dans l'appareil.

6. Installez le tiroir ramasse-miettes.
 - a. Placez le bac à miettes juste en dessous des goupilles de butée se trouvant sous la bande transporteuse, à l'avant du grille-pain.
 - b. Insérez le bac à miettes dans le grille-pain jusqu'à ce que l'avant du bac atteigne les goupilles de butée.



Installation du bac à miettes

Installation du système de décharge avant ou arrière

Les appareils Toast-Qwik® peuvent être programmés pour que le pain grillé se décharge à l'avant ou à l'arrière de l'appareil.

AVERTISSEMENT

DANGER D'INCENDIE :

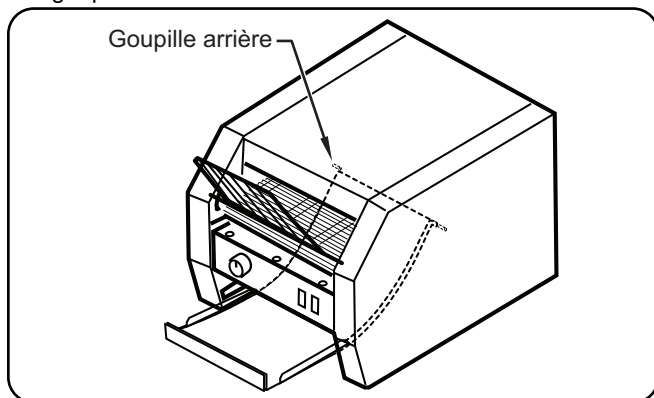
- Pour une décharge à l'avant : Laissez une distance minimale de 25 mm (1") sur les côtés et à l'arrière de l'appareil. Laissez un jeu d'au moins 305 mm (12") à l'avant. Si ces distances de sécurité ne sont pas respectées, une décoloration ou une combustion peut se produire.
- Pour une décharge à l'arrière : Laissez une distance minimale de 25 mm (1") sur les côtés de l'appareil. Laissez une distance minimale de 305 mm (12") à l'avant et à l'arrière. Si ces distances de sécurité ne sont pas respectées, une décoloration ou une combustion peut se produire.

Modèle TQ-10

La glissière de décharge et le bac de récupération du modèle TQ-10 ne forment qu'une seule pièce. L'emplacement choisi pour l'installation détermine la zone de décharge.

Pour une décharge frontale :

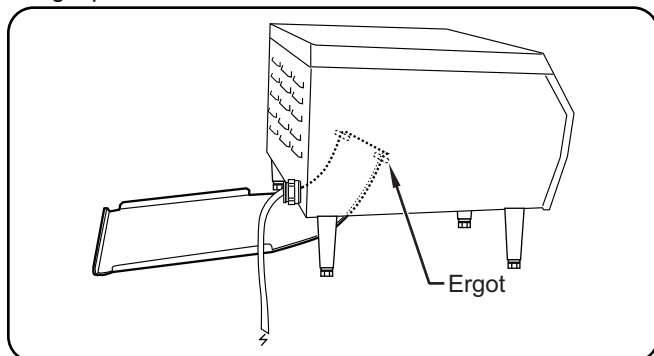
- Insérez la glissière dans le grille-pain par l'avant jusqu'à ce que la bordure arrière de la glissière se place sur les goupilles arrière.



Décharge avant TQ-10

Pour une décharge arrière :

- Insérez la glissière dans le grille-pain par l'arrière jusqu'à ce que la bordure arrière de la glissière se place sur les goupilles internes.



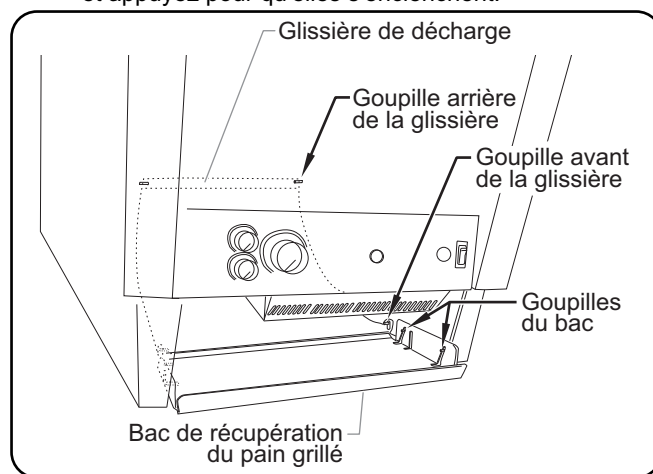
Décharge arrière TQ-10

Séries TQ-400, -800, -1200, and -1800

La glissière de décharge et le bac de récupération du pain grillé des séries TQ-400, -800, -1200, et -1800 sont des éléments distincts. L'emplacement choisi pour l'installation détermine la zone de décharge.

Pour une décharge frontale :

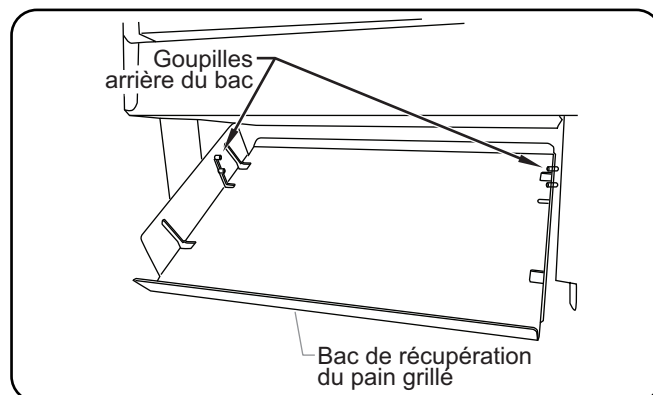
1. Installez la glissière de décharge.
 - Insérez l'extrémité courbée dans l'appareil jusqu'à ce que la bordure arrière de la glissière se place sur les goupilles arrière.
 - Appuyez sur la glissière afin d'emboîter les goupilles avant dans les fentes de la glissière.
2. Positionnez le bac de récupération du pain grillé, en plaçant l'extrémité sans rebord vers l'intérieur, au-dessus des goupilles du bac.
 - Alignez les encoches inclinées du bac avec les goupilles et appuyez pour qu'elles s'enclenchent.



Décharge avant des séries TQ-400, -800, -1200, et -1800

Pour une décharge arrière :

1. Retirez la glissière de décharge si elle est installée. Elle n'est pas utile à l'arrière.
2. Glissez le bac de récupération du pain grillé en plaçant l'extrémité sans rebord vers l'intérieur, au-dessus des goupilles du bac à l'arrière de l'appareil.
 - Alignez les encoches inclinées du bac avec les deux ensembles de goupilles et appuyez pour qu'elles s'enclenchent.



Décharge arrière des séries TQ-400, -800, -1200, et -1800

Généralités

Le grille-pain électrique à convoyeur Toast-Qwik est conçu pour permettre une utilisation facile. Afin d'utiliser correctement le grille-pain, respectez les procédures de cette section.

⚠ AVERTISSEMENT

Lire tous les messages de sécurité de la section Consignes de sécurité importantes avant d'utiliser ce matériel.

⚠ ATTENTION

DANGER DE BRÛLURE :

- Certaines surfaces extérieures de l'appareil deviennent chaudes. Toucher ces zones de l'appareil avec précaution.
- Retirez le tiroir ramasse-miettes pour le laver uniquement lorsque le grille-pain est froid.

Utilisez toujours le grille-pain lorsque le tiroir ramasse-miettes est installé dans l'appareil.

Il est déconseillé de griller des produits enrobés ou beurrés, comme du pain à l'ail, des tartines au fromage ou des brioches. Les résidus réduiront la performance du grille-pain et pourraient l'enflammer. L'utilisation du grille-pain pour griller les aliments cités précédemment annulera la garantie de l'appareil.

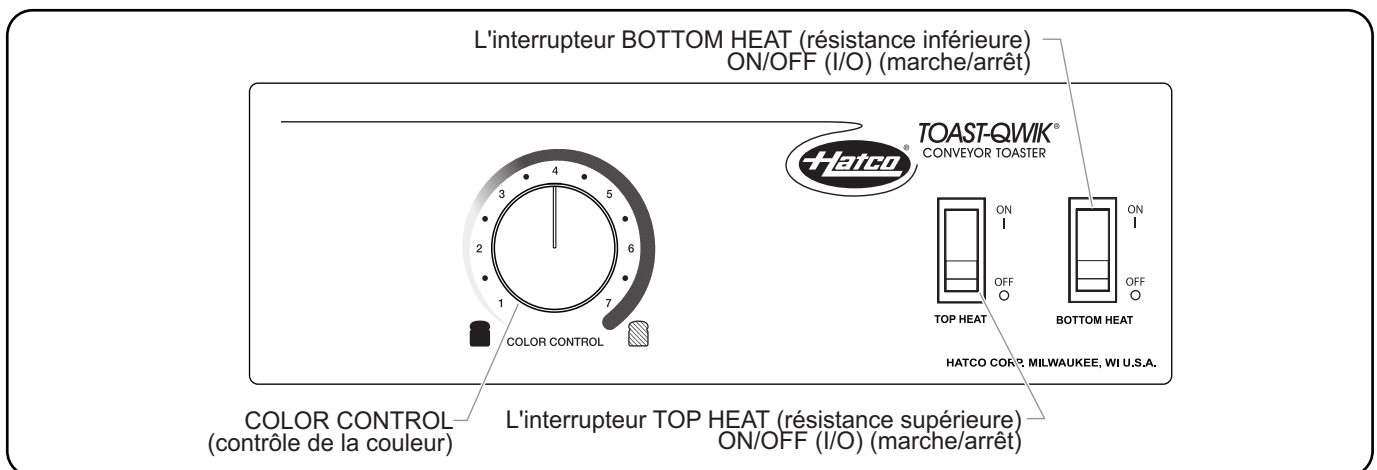
Fonctionnement du modèle TQ-10

1. Branchez l'appareil sur une prise électrique correctement mise à la terre de la configuration, de la taille et de la tension corrects. Pour des détails, voir la section CARACTÉRISTIQUES TECHNIQUE.
2. Placez la rampe d'arrivée du pain dans la position souhaitée. Reportez-vous à la partie « Réglage de la rampe d'arrivée du pain » de cette section pour plus de détails.
3. Placez les interrupteurs TOP HEAT (résistance supérieure) et/ou BOTTOM HEAT (résistance inférieure) sur ON (I) (marche).
 - Pour griller le pain sur les deux faces, placez les interrupteurs TOP HEAT (résistance supérieure) et BOTTOM HEAT (résistance inférieure) sur ON (I) (marche).
 - Pour griller le pain sur la face supérieure uniquement, placez l'interrupteur TOP HEAT (résistance supérieure) sur ON (I) (marche) et l'interrupteur BOTTOM HEAT (résistance inférieure) sur OFF (O) (arrêt).
 - Pour griller le pain sur la face inférieure uniquement, placez l'interrupteur TOP HEAT (résistance supérieure) sur OFF (O) (arrêt) et l'interrupteur BOTTOM HEAT (résistance inférieure) sur ON (I) (marche).
4. Tournez la commande COLOR CONTROL (contrôle de la couleur) vers le plus clair pendant que l'appareil chauffe.

NOTA: Attendez que l'appareil chauffe pendant 15 à 20 minutes.

5. Après la période de préchauffage, réglez la commande COLOR CONTROL (contrôle de la couleur) sur la position moyenne et grillez deux tranches de pain puis réglez la couleur comme vous le souhaitez.

NOTA: Pour griller des produits plus humides, comme des muffins, du pain de seigle, ou du pain complet, ralentissez le convoyeur en plaçant la commande COLOR CONTROL (contrôle de la couleur) sur un réglage plus foncé (dans le sens des aiguilles d'une montre).



Panneau de commande — Modèle TQ-10

Fonctionnement des séries TQ-400, -800, -1200, et -1800

1. Branchez l'appareil sur une prise électrique correctement mise à la terre de la configuration, de la taille et de la tension corrects. Pour des détails, voir la section CARACTÉRISTIQUES TECHNIQUE.
2. Placez l'interrupteur I/O (marche/arrêt) sur I (marche).
3. Réglez les commandes résistance supérieure et/ou résistance inférieure.
 - Pour griller le pain sur les deux faces, réglez les commandes résistance supérieure et résistance inférieure au maximum en les tournant dans le sens des aiguilles d'une montre.
 - Pour griller le pain sur une seule face, réglez la commande résistance supérieure au maximum en la tournant dans le sens des aiguilles d'une montre, et réglez la commande résistance inférieure au minimum en la tournant dans le sens inverse des aiguilles d'une montre.

NOTA: Les grille-pain TQ-400BA, -800BA, -800HBA, -1800BA et -1800HBA ont été spécialement conçus pour faire griller une face d'un petit pain ou d'un bagel. Ces modèles grillent la face coupée tournée vers le haut.

NOTA: Quand vous souhaitez griller un produit sur une seule face, comme un petit pain ou un bagel, positionnez-le face coupée vers le haut. Placez la commande de la résistance inférieure sur un réglage faible, grillez deux tranches de pain puis placez les commandes résistance supérieure et/ou résistance inférieure sur le réglage voulu.

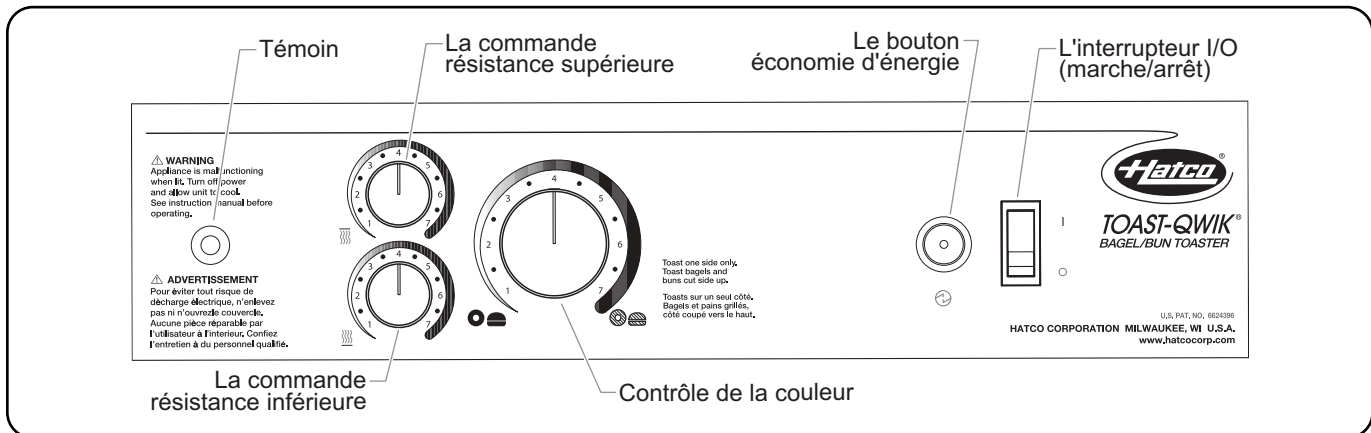
4. Tournez la commande contrôle de la couleur vers la position la plus faible pendant que l'appareil chauffe.

NOTA: Attendez que l'appareil chauffe pendant 15 à 20 minutes.

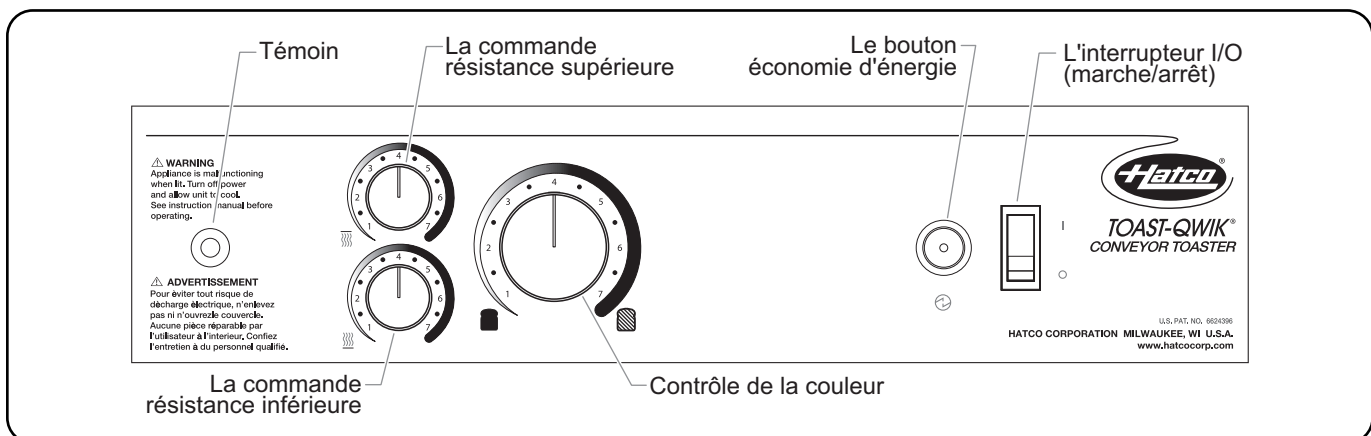
5. Après la période de préchauffage, grillez deux tranches de pain. Réglez la commande contrôle de la couleur si besoin.

NOTA: Si le pain grillé est trop foncé avec le réglage de la commande contrôle de la couleur le plus clair, placez les commandes résistance supérieure et/ou résistance inférieure sur le réglage voulu. (Attendez 15 à 20 minutes pour que le grille-pain s'adapte aux nouveaux réglages avant de recommencer à griller.)

NOTA: Pour griller des produits plus humides, comme des muffins, du pain de seigle, ou du pain complet, ralentissez le convoyeur en plaçant la commande contrôle de la couleur sur un réglage plus foncé (dans le sens des aiguilles d'une montre).



Panneau de commande—Grille-pain d'un côté



Panneau de commande—Grille-pain des deux côtés

REMARQUE IMPORTANTE

Si le témoin s'allume, l'appareil est peut-être en surchauffe. Arrêtez l'appareil et débranchez-le. Reportez-vous à la procédure « Nettoyage quotidien » pour nettoyer les ouvertures du ventilateur. Si l'appareil ne fonctionne pas correctement après avoir nettoyé les ouvertures du ventilateur, contactez un agent d'entretien agréé ou Hatco pour obtenir une assistance.

Mode Économie D'Énergie et Voyant Associé

Tous les modèles de grille-pain des séries TQ-400, -800, -1200 et -1800 ont un mode Économie d'énergie intégré et un voyant associé. Cette fonction permet au grille-pain de passer en mode Attente et de diviser par deux la consommation d'énergie des éléments chauffants. Dans ce mode, le voyant du panneau avant clignote.

Pour activer le mode d'économie d'énergie :

1. Maintenez le bouton économie d'énergie enfoncé jusqu'à ce que le témoin lumineux clignote.

Pour quitter le mode économie d'énergie :

1. Appuyez sur le bouton économie d'énergie ou tournez un bouton jusqu'à ce que le témoin arrête de clignoter.

NOTE: Attendez 2 ou 3 minutes avant de griller du pain. L'appareil retrouve sa pleine puissance après 10 minutes.

Système ColorGuard

Tous les grille-pain des séries TQ-400, -800, -1200 et -1800 sont équipés d'un système de détection ColorGuard breveté qui surveille et règle automatiquement la vitesse du convoyeur durant les périodes d'utilisation intensive pour assurer la coloration uniforme du pain grillé.

NOTA: Le système de détection ColorGuard est inopérant pendant 10 minutes environ après un ajustement de chaleur.

Réglage de la rampe d'arrivée du pain

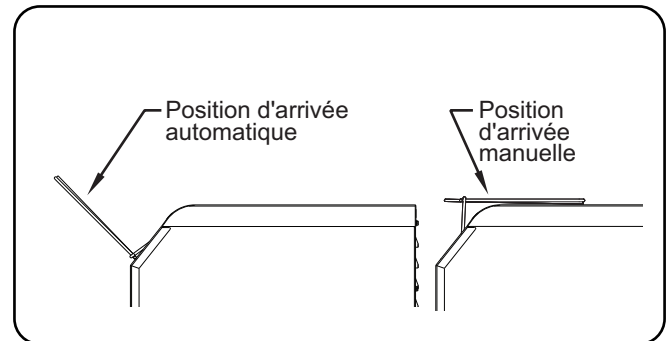
La rampe d'arrivée du pain est installée à l'usine et peut être utilisée dans deux positions différentes.

Position d'arrivée automatique

Pour que l'arrivée du pain soit automatique, la rampe doit être droite. Pour faire entrer le pain dans le grille-pain, placez-le sur la rampe d'alimentation puis lâchez-le.

Position d'arrivée manuelle

Pour que l'arrivée du pain soit manuelle, la rampe doit être placée sur le grille-pain, horizontalement. Le pain est placé manuellement directement sur la bande transporteuse.



Rampe d'arrivée du pain

Généralités

Les grille-pain électriques à convoyeur Toast-Qwik® Hatco sont conçus pour fournir une durabilité maximale et une performance nécessitant un minimum d'entretien.

AVERTISSEMENT

DANGER DE DÉCHARGE ÉLECTRIQUE :

- Placez l'interrupteur sur OFF (arrêt), débranchez le cordon d'alimentation, et laissez l'appareil refroidir avant tout entretien, nettoyage, réglage ou avant de retirer du pain bloqué.
- **NE PAS immerger l'appareil ni le saturer d'eau.** L'appareil n'est pas étanche à l'eau. Ne pas le faire fonctionner s'il a été immergé ou saturé d'eau.
- Ne pas nettoyer à la vapeur ni utiliser trop d'eau sur l'appareil.
- Cet appareil n'est pas étanche aux jets. Ne pas utiliser de jet sous pression pour nettoyer l'appareil.
- Ne pas nettoyer l'appareil lorsqu'il est sous tension.
- Ne renversez pas de liquides dans l'appareil.
- Cet appareil doit uniquement être réparé par un personnel qualifié. Toute réparation par un personnel non qualifié peut entraîner une électrocution et des brûlures.
- Pour les réparations, utiliser exclusivement des pièces de rechange Hatco d'origine. Utilisez des pièces détachées Hatco authentiques sous peine d'annuler toutes les garanties et d'exposer l'utilisateur à des tensions électriques dangereuses pouvant entraîner une électrocution ou des brûlures. Les pièces de rechange Hatco d'origine sont conçues pour fonctionner sans danger dans les environnements dans lesquels elles sont utilisées. Certaines pièces de rechange génériques ou de second marché ne présentent pas les caractéristiques leur permettant de fonctionner sans danger dans la matériel Hatco.

Cet appareil ne contient aucune pièce réparable par l'utilisateur. Si cet appareil doit être réparé, contacter un réparateur Hatco agréé ou le Service après-vente Hatco au 800-558-0607 ou 414-671-6350 ; télécopieur 800-690-2966; télécopieur internationale 414-671-3976.

Nettoyage quotidien

Afin de préserver la finition de l'unité et de conserver son efficacité, il est recommandé de nettoyer l'unité quotidiennement.

AVERTISSEMENT

Plonger l'appareil dans l'eau, ou le saturer d'eau, endommage l'équipement et entraîne l'annulation de sa garantie.

AVIS

Utilisez uniquement des nettoyeurs non abrasifs et des chiffons doux. Les chiffons et nettoyeurs abrasifs risquent de rayer la finition de l'appareil, d'altérer son apparence et de le rendre vulnérable à l'accumulation de saleté.

Nettoyez l'unité quotidiennement pour éviter les dysfonctionnements et assurer un fonctionnement sain.

1. Éteignez l'appareil, débranchez le cordon d'alimentation et laissez l'appareil refroidir.
2. Retirez et videz le tiroir ramasse-miettes et le bac de récupération du pain grillé.
 - a. Nettoyez le tiroir ramasse-miettes et le bac de récupération du pain grillé avec de l'eau chaude et un détergent doux. Rincez ensuite à l'eau.

- b. Laissez sécher le tiroir ramasse-miettes et le bac de récupération du pain grillé ou essuyez-les avec un chiffon doux.

ATTENTION

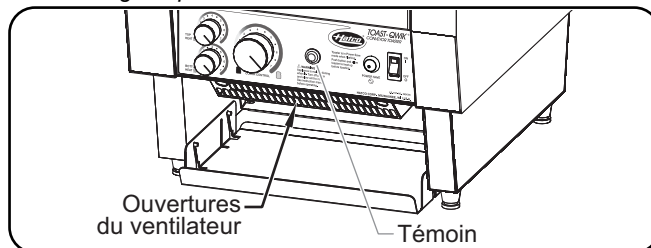
DANGER DE BRÛLURE : Retirez le tiroir ramasse-miettes pour le laver uniquement lorsque le grille-pain est froid.

3. Essuyez les surfaces extérieures du grille-pain avec un chiffon humide, non abrasif.
4. Les taches tenaces peuvent être enlevées avec un nettoyant pour acier inoxydable ou un nettoyant non abrasif. Les recoins difficiles d'accès devront être nettoyés à l'aide d'une petite brosse et de savon doux.

NOTA: The conveyor gear motor and conveyor system are permanently lubricated and require no lubrication.

5. Vérifiez les ouvertures du ventilateur et retirez les débris.

NOTA: Les grille-pain des séries TQ-400, -800, -1200, et -1800 sont équipés d'un ventilateur qui se trouve sous la zone du panneau de commande. Vérifiez/nettoyez les ouvertures du ventilateur tous les mois ou dès que le témoin s'allume. En cas d'accumulation de débris trop importante, nettoyez les ouvertures avec un aspirateur. Des ouvertures bouchées provoqueront une surchauffe du grille-pain et son extinction.



Ouvertures du ventilateur (TQ-400 présenté ici)

6. Installez à nouveau le tiroir ramasse-miettes et le bac de récupération du pain grillé. Reportez-vous à la section INSTALLATION pour connaître les instructions.

Nettoyage de la rampe d'arrivée du pain

1. Retirez la rampe d'arrivée du pain en appuyant sur les deux ailettes métalliques et en soulevant.
2. Nettoyez-la en l'essuyant avec un chiffon humide non abrasif ou laissez-la tremper dans une solution douce d'ammoniaque (1 tasse, ou 227 ml) et et d'eau (1 gallon, ou 3,785 l).
3. Installez à nouveau la rampe d'arrivée du pain en alignant les ailettes métalliques avec les orifices du grille-pain.

Nettoyage du réflecteur d'élément inférieur

Le réflecteur d'élément inférieur situé dans la chambre de grillage dispose de fentes qui permettent aux miettes de pain de tomber dans le tiroir ramasse-miettes. Après une longue période d'utilisation, il est possible que les miettes de pain s'accumulent sur le réflecteur et qu'elles ne tombent pas dans le tiroir.

1. Éteignez l'appareil, débranchez le cordon d'alimentation et laissez l'appareil refroidir.
2. Essuyez les miettes qui se trouvent sur le tiroir ramasse-miettes à l'aide d'un pinceau-brosse.
 - Pour essuyer le réflecteur, placez le pinceau-brosse dans la courroie du convoyeur et essuyez chaque côté.
3. Effectuez la procédure de « nettoyage quotidien » décrite dans cette section.

⚠ AVERTISSEMENT

La réparation de cet appareil doit être confiée exclusivement à du personnel qualifié. Les réparations par des personnes non qualifiées peuvent provoquer des décharges électriques et des brûlures.

⚠ AVERTISSEMENT

DANGER DE DÉCHARGE ÉLECTRIQUE: Placez l'interrupteur sur OFF (arrêt), débranchez le cordon d'alimentation, et laissez l'appareil refroidir avant tout entretien, nettoyage, réglage ou avant de retirer du pain bloqué.

Symptômes	Causes Probables	Action Correctrice
Pain grillé trop clair.	La commande contrôle de la couleur est positionné sur un réglage clair.	Placez la commande contrôle de la couleur sur un réglage plus foncé.
	La tension d'alimentation de l'appareil est faible.	Vérifiez que la tension d'alimentation correspond aux spécifications de l'appareil.
Pain grillé trop foncé.	La commande contrôle de la couleur est positionné sur un réglage foncé.	Placez la commande contrôle de la couleur sur un réglage plus clair.
	La tension d'alimentation de l'appareil est élevée.	Vérifiez que la tension d'alimentation correspond aux spécifications de l'appareil.
L'appareil met trop de temps pour griller les aliments.	Les premières fournées peuvent être plus longues car le grille-pain a besoin de temps pour chauffer au démarrage.	Laissez le grille-pain chauffer à sa température d'utilisation avant de placer le pain (environ 15–20 minutes).
	La tension d'alimentation de l'appareil est faible.	Vérifiez que la tension d'alimentation correspond aux spécifications de l'appareil.
L'appareil grille le pain d'un seul côté uniquement.	Le modèle du grille-pain est conçu pour griller uniquement d'un côté. (La référence du modèle contient BA.)	L'appareil est conçu pour fonctionner de cette manière.
	Le réglage de la commande résistance supérieure ou résistance inférieure est trop faible.	Placez la commande résistance inférieure ou résistance supérieure sur un réglage plus élevé.
	Élément chauffant défectueux	Vérifiez visuellement l'élément de chauffage dans le grille-pain pendant le fonctionnement de l'appareil. L'élément de chauffage doit devenir rouge. Si l'élément ne devient pas rouge, contactez un agent d'entretien agréé ou Hatco pour obtenir une assistance.
Le grille-pain déclenche le disjoncteur ou le disjoncteur différentiel.	Le disjoncteur n'est pas correctement dimensionné pour le grille-pain.	Vérifiez la taille du disjoncteur.
	Défaut de câblage dans le grille-pain.	Contactez votre agent de maintenance agréé ou Hatco pour toute demande d'assistance.
Le convoyeur ne bouge pas.	Tranches de pain ou petits pains coincés dans le circuit du convoyeur.	Arrêtez l'appareil, laissez-le refroidir et enlevez le pain qui bloque le convoyeur.

Vous avez des questions en ce qui concerne les pannes ?

Si le problème persiste, veuillez contacter l'agence d'entretien agréée Hatco la plus proche ou Hatco pour obtenir une assistance. Pour trouver l'agence d'entretien la plus proche, rendez-vous sur le site Internet de Hatco (www.hatcocorp.com) et cliquez sur Trouver un agent d'entretien, ou contactez l'équipe d'entretien et de pièces détachées de Hatco :

Numéro de téléphone: 800-558-0607 ou 414-671-6350

Courriel: partsandservice@hatcocorp.com

Télécopie: 800-690-2966 ou 414-671-3976

Protection de sécurité

La protection de sécurité verrouillable se relève et s'abaisse afin de limiter l'accès au panneau de commande.

1. Retirez le tiroir ramasse-miettes.
2. Retirez les deux vis avant sur la surface plane au-dessus des commandes.
3. Placez la protection de sécurité sur le panneau de commande, en alignant les orifices des vis de la protection de sécurité avec les orifices de la surface plane.
4. Remplacez les deux vis dans la protection de sécurité et la surface plane. Serrez-les fermement.
5. Installez à nouveau le tiroir ramasse-miettes.

Guide d'extension de la rampe d'arrivée

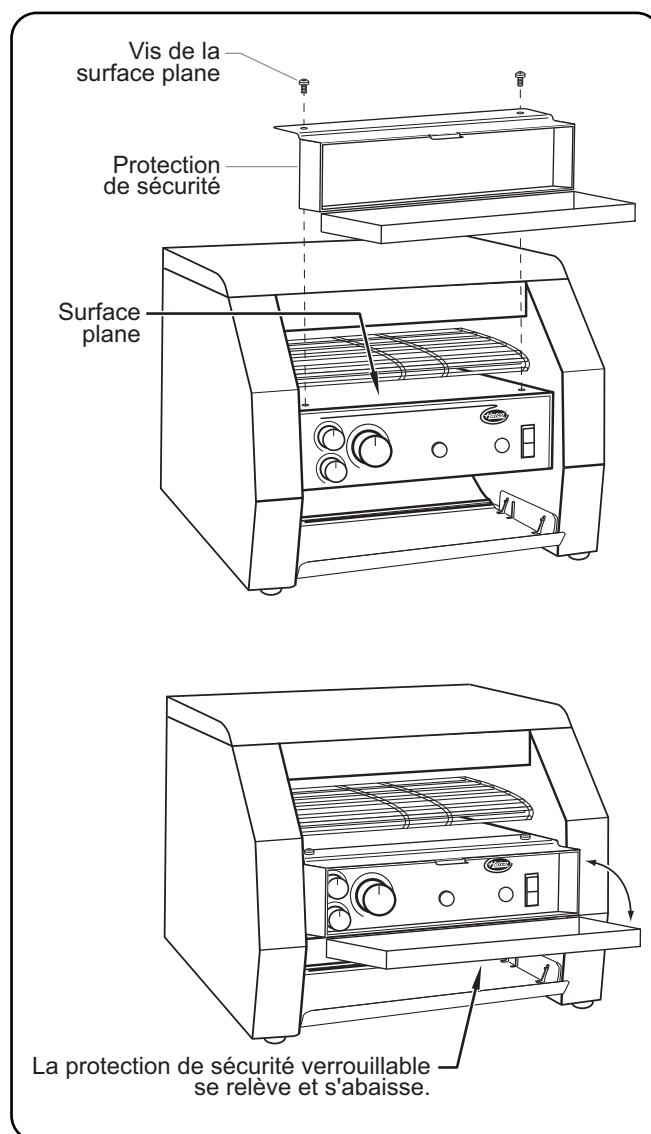
Le guide d'extension de la rampe d'arrivée est un accessoire qui agrandit de 76 mm (3") la rampe d'arrivée (non disponible pour les modèles TQ-1800).

Cordon 30 Amp (modèles TQ-800)

Un cordon de 30 Amp en option (fiche NEMA 6-30P) est disponible pour les modèles TQ-800 uniquement.

Prises électriques

Les prises électriques sont disponibles en option pour les appareils utilisant des fiches NEMA 5-20P, NEMA 6-20P, ou NEMA 6-30P.



Protection de sécurité

1. GARANTIE DU PRODUIT

Hatco garantit que les produits qu'il fabrique (les « Produits ») sont exempts de défauts de matériel et de fabrication, dans des conditions normales d'utilisation et de maintenance, pour une période d'un (1) an à partir de la date d'achat à condition que l'appareil soit installé et entretenu conformément aux instructions écrites de Hatco ou 18 mois après la date de l'expédition par Hatco. L'acheteur doit prouver la date d'achat du Produit par l'enregistrement du produit auprès de Hatco ou par d'autres moyens satisfaisants pour Hatco, à sa seule discrétion.

Hatco garantit que les composants du Produit suivants sont exempts de défauts de matériel et de fabrication à partir de la date d'achat (sous réserve des conditions précédentes) pour la ou les périodes de temps et en fonction des conditions listées ci-dessous :

a) Garantie d'un (1) an pour les pièces et la main-d'œuvre PLUS un an (1) supplémentaire pour les pièces uniquement :

Éléments du grille-pain à convoyeur (enveloppe métallique)
 Éléments des tiroirs chauffants (enveloppe métallique)
 Tiroirs, roues et glissières des tiroirs chauffants
 Éléments des rampes chauffantes (enveloppe métallique)
 Éléments des vitrines chauffantes
 (enveloppe métallique, air chauffant)
 Éléments des armoires de stockage
 (enveloppe métallique, air chauffant)
 Éléments des compartiments chauffants —
 série HW et HWB (enveloppe métallique)

b) Garantie d'un (1) an pour les pièces et la main-d'œuvre PLUS quatre (4) ans pour les pièces uniquement :

Cuves 3CS et FR

c) Garantie d'un (1) an pour les pièces et la main-d'œuvre PLUS neuf (9) ans pour les pièces uniquement :

Cuves des appareils de chauffage d'appoint électriques
 Cuves des appareils de chauffage d'appoint à gaz

d) Garantie de quatre-vingt-dix (90) jours pour les pièces uniquement :

Pièces de rechange

LES GARANTIES PRÉCÉDENTES SONT EXCLUSIVES ET REMPLACENT TOUTES AUTRES GARANTIES, EXPRESSES OU IMPLICITES, COMPRENANT, MAIS NE SE LIMITANT PAS À, TOUTES GARANTIES IMPLICITES DE QUALITÉ MARCHANDE OU DE FINALITÉ PARTICULIÈRE OU TOUS BREVETS OU TOUTES AUTRES ATTEINTES AUX DROITS DE LA PROPRIÉTÉ INTELLECTUELLE. Sans restreindre la portée générale des énoncés précédents, CES GARANTIES NE COUVRENT PAS : Ampoules d'éclairage à incandescence enduites, lumières fluorescentes, ampoules de lampes chauffantes, ampoules d'éclairage à halogène enduites, ampoules de lampes chauffantes au xénon, tubes d'éclairage DEL, composants en verre et fusibles ; défaut de produit dans la cuve d'un appareil de chauffage d'appoint, dans un échangeur de chaleur à tubes à ailettes ou tout autre équipement de chauffage d'eau causé par la calcification, l'accumulation de sédiments, la réaction d'un produit chimique ou le gel ; ou une mauvaise utilisation, une manipulation ou une mauvaise application, une installation inappropriée du Produit ou l'utilisation d'une tension inappropriée.

2. LIMITES DES RECOURS ET DES DOMMAGES

La responsabilité de Hatco et la seule voie de recours de l'Acheteur prévues par les présentes seront limitées exclusivement, au gré de Hatco, à la réparation ou au remplacement à l'aide de pièces ou de Produits nouveaux ou remis à neuf par Hatco ou un centre de réparation agréé par Hatco (sauf si l'Acheteur se situe hors des États-Unis, du Canada, du Royaume-Uni ou de l'Australie, auquel cas la responsabilité de Hatco et la seule voie de recours de l'Acheteur seront limitées exclusivement au remplacement des pièces concernées par la garantie) à l'égard de toute revendication effectuée dans les délais de garantie applicables mentionnés ci-dessus. Hatco se réserve le droit d'accepter ou de rejeter toute réclamation en partie ou dans son intégralité. Dans le cadre de cette Garantie limitée, « remis à neuf » signifie une pièce ou un Produit dont les caractéristiques techniques d'origine ont été restaurées par Hatco ou un centre de réparation agréé par Hatco. Hatco n'acceptera aucun retour de Produits sans qu'il n'ait auparavant donné son accord écrit, et tous ces retours approuvés doivent être effectués aux seuls frais de l'Acheteur. HATCO NE SERA PAS TENU RESPONSABLE, DANS AUCUNE CIRCONSTANCE, DES DOMMAGES CONSÉCUTIFS OU INDIRECTS, COMPRENANT, MAIS NE SE LIMITANT PAS À, LES COÛTS DE MAIN-D'ŒUVRE OU PERTES DE PROFITS DUS À UNE UTILISATION OU À UNE IMPOSSIBILITÉ D'UTILISER LES PRODUITS OU DUS AU FAIT QUE LES PRODUITS ONT ÉTÉ INTÉGRÉS DANS OU QU'ILS SONT DEVENUS UN COMPOSANT DE TOUT AUTRE PRODUIT OU BIEN.

AUTHORIZED PARTS DISTRIBUTORS • AUTORISÉS DISTRIBUTEURS DE PIÈCES

ALABAMA

Jones McLeod Appl. Svc.
Birmingham 205-251-0159

ARIZONA

Service Solutions Group
Phoenix 602-234-2443

Byassee Equipment Co.
Phoenix 602-252-0402

CALIFORNIA

Industrial Electric
Commercial Parts & Service, Inc.
Huntington Beach 714-379-7100

Chapman Appl. Service
San Diego 619-298-7106

P & D Appliance
Commercial Parts & Service, Inc.
S. San Francisco 650-635-1900

COLORADO

Hawkins Commercial Appliance
Englewood 303-781-5548

FLORIDA

Whaley Foodservice Repair
Jacksonville 904-725-7800

3Wire Nass Service Co., Inc.
Orlando 407-425-2681

B.G.S.I.
Pompano Beach 954-971-0456

Comm. Appliance Service
Tampa 813-663-0313

GEORGIA

TWC Services
Mableton 770-438-9797

Heritage Service Group
Norcross 866-388-9837

Southeastern Rest. Svc.
Norcross 770-446-6177

HAWAII

Burney's Comm. Service, Inc.
Honolulu 808-848-1466

Food Equip Parts & Service
Honolulu 808-847-4871

ILLINOIS

Parts Town
Lombard 708-865-7278

Eichenauer Elec. Service
Decatur 217-429-4229

Midwest Elec. Appl. Service
Elmhurst 630-279-8000

Cone's Repair Service
Moline 309-797-5323

INDIANA

GCS Service
Indianapolis 317-545-9655

IOWA

Goodwin Tucker Group
Des Moines 515-262-9308

KENTUCKY

Service Solutions Group
Lexington 859-254-8854

Service Solutions Group
Louisville 502-451-5411

LOUISIANA

Chandlers Parts & Service
Baton Rouge 225-272-6620

MARYLAND

Electric Motor Service
Baltimore 410-467-8080

GCS Service
Silver Spring 301-585-7550

MASSACHUSETTS

Ace Service Co., Inc.
Needham 781-449-4220

MICHIGAN

Bildons Appliance Service
Detroit 248-478-3320

Commercial Kitchen Service
Bay City 517-893-4561

Midwest Food Equip. Service
Grandville 616-261-2000

MINNESOTA

GCS Service
Plymouth 800-345-4221

MISSOURI

General Parts
Kansas City 816-421-5400

Commercial Kitchen Services
St. Louis 314-890-0700

Kaemmerlen Parts & Service
St. Louis 314-535-2222

NEBRASKA

Anderson Electric
Omaha 402-341-1414

NEVADA

Burney's Commercial
Las Vegas 702-736-0006

Hi. Tech Commercial Service
N. Las Vegas 702-649-4616

NEW JERSEY

Jay Hill Repair
Fairfield 973-575-9145

Service Plus
Flanders 973-691-6300

NEW YORK

Acme American Repairs, Inc.
Brooklyn 718-456-6544

Alpro Service Co.
Brooklyn 718-386-2515

Appliance Installation
Buffalo 716-884-7425

Duffy's Equipment Services, Inc.
Buffalo 800-836-1014

3Wire Northern
Plattsburgh 800-634-5005

Duffy's Equipment Services, Inc.
Sauquoit 800-836-1014

J.B. Brady, Inc.
Syracuse 315-422-9271

NORTH CAROLINA

Authorized Appliance
Charlotte 704-377-4501

OHIO

Akron/Canton Comm. Svc. Inc.
Akron 330-753-6635

Service Solutions Group
Cincinnati 513-772-6600

Commercial Parts and Service
Columbus 614-221-0057

Electrical Appl. Repair Service
Brooklyn Heights 216-459-8700

E. A. Wichman Co.
Toledo 419-385-9121

OKLAHOMA

Hagar Rest. Service, Inc.
Oklahoma City 405-235-2184

Krueger, Inc.
Oklahoma City 405-528-8883

OREGON

Ron's Service, Inc.
Portland 503-624-0890

PENNSYLVANIA

Elmer Schultz Services
Philadelphia 215-627-5401

FAST Comm. Appl. Service
Philadelphia 215-288-4800

Appliance Installation & Service
Pittsburgh 412-809-0244

K & D Service Co.
Harrisburg 717-236-9039

Electric Repair Co.
Reading 610-376-5444

RHODE ISLAND

Marshall Electric Co.
Providence 401-331-1163

SOUTH CAROLINA

Whaley Foodservice Repair
W. Columbia 803-791-4420

TENNESSEE

Camp Electric
Memphis 901-527-7543

TEXAS

GCS Service
Fort Worth 800-433-1804

Armstrong Repair Service
Houston 713-666-7100

Cooking Equipment Specialist
Mesquite 888-866-9276

Refrigerated Specialist, Inc.
Mesquite 888-866-9276

Commercial Kitchen Repair Co.
San Antonio 210-735-2811

UTAH

La Monica's Rest. Equip. Service
Murray 801-263-3221

VIRGINIA

Daubers
Norfolk 757-855-4097

Daubers
Springfield 703-866-3600

WASHINGTON

3Wire Restaurant Appliance
Seattle 800-207-3146

WISCONSIN

A.S.C., Inc.
Madison 608-246-3160

A.S.C., Inc.
Milwaukee 414-543-6460

CANADA

ALBERTA

Key Food Equipment Service
Edmonton 780-438-1690

BRITISH COLUMBIA

Key Food Equipment Service
Vancouver 604-433-4484

Key Food Equipment Service
Victoria 250-920-4888

MANITOBA

Air Rite, Inc.
Winnipeg 204-895-2300

NEW BRUNSWICK

EMR Services, Ltd.
Moncton 506-855-4228

ONTARIO

R.G. Henderson Ltd.
Toronto 416-422-5580

Choquette - CKS, Inc.
Ottawa 613-739-8458

QUÉBEC

Choquette - CKS, Inc.
Montreal 514-722-2000

Choquette - CKS, Inc.
Québec City 418-681-3944

UNITED KINGDOM

Marren Group
Northants +44(0)1933 665313

HATCO CORPORATION

P.O. Box 340500

Milwaukee, WI 53234-0500 U.S.A.

800-558-0607 414-671-6350

Parts and Service Fax 800-690-2966

International Fax 414-671-3976

partsandservice@hatcocorp.com

www.hatcocorp.com

Register your unit online!

See IMPORTANT OWNER INFORMATION
section for details.

S'inscrire en ligne!

Lisez la section INFORMATIONS IMPORTANTES
POUR LE PROPRIÉTAIRE pour plus de informations.