



Register Online!
(see page 2)



Original Instructions
Originalanleitung
Instrucciones originales
Instructions originales
Istruzioni originali
Vertaling van de
originele instructies

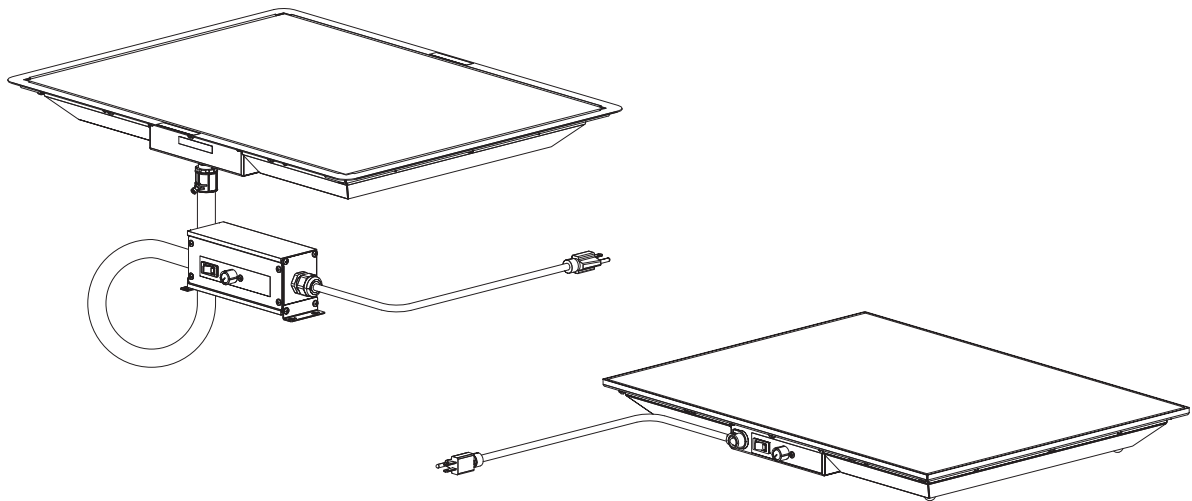
Heated Black Glass Shelves

HBG and HBGB Series

Installation and Operating Manual

For € and Non-€ Models

P/N 07.04.457.00



<p>DE Beheizte, Schwarze Glasregale Serien HBG und HBGB Installations- und Bedienungshandbuch P 16 Registrieren Sie sich online!</p>	<p>ES Estantes Calentados de Vidrio Negro Series HBG y HBGB Manual de Instalación y Operación P 26 Regístrese en línea!</p>
<p>FR Étagères Chauffantes en Vitrocéramique Noire Séries HBG et HBGB Manuel d'installation et d'utilisation P 44 S'inscrire en ligne!</p>	<p>IT Ripiani in Vetro Nero Riscaldati Serie HBG, HBGB Manuale per l'installazione e l'uso P 50 Registratevi online!</p>
<p>NL Zwarte Glazen Warmhoudplaten Modelreeksen HBG en HBGB Handleiding voor Installatie en Bediening P 71 Registreer online!</p>	

Important Owner Information	2	Operation	9
Introduction	2	General	9
Important Safety Information	3	Maintenance	10
Model Description	4	General	10
All Models	4	Daily Cleaning.....	10
HBG Models	4	Cleaning Burned-On Residue.....	10
HBGB Models	4	Cleaning Sugary Spills.....	10
Model Designation	4	Cleaning Metal Marks and Scratches.....	10
Specifications	4	Troubleshooting Guide	11
Plug Configurations	4	Options and Accessories	11
Electrical Rating Chart — HBG Models.....	5	Service Information	14
Electrical Rating Chart — HBGB Models	5	International Limited Warranty	14
Dimensions — HBG Models	6		
Dimensions — HBGB Models	6		
Installation	7		
General	7		
HBG Models	7		
HBGB Models	7		

IMPORTANT OWNER INFORMATION

Record the model number, serial number (specification label located on the bottom of the unit), voltage, and purchase date of the unit in the spaces below. Please have this information available when calling Hatco for service assistance.

Model No. _____

Serial No. _____

Voltage _____

Date of Purchase _____

Business

Hours: 7:00 AM to 5:00 PM
Central Standard Time (C.S.T.)
(Summer Hours [June to September]:
7:00 AM to 5:00 PM C.S.T., Monday–Thursday
7:00 AM to 4:00 PM C.S.T., Friday)

Telephone: 414-671-6350

E-mail: partsandservice@hatcocorp.com

Fax: 414-671-3976 (Parts and Service)

Additional information can be found by visiting our web site at www.hatcocorp.com.

Register your unit!

Completing online warranty registration will prevent delay in obtaining warranty coverage. Access the Hatco website at www.hatcocorp.com, select the *Parts & Service* pull-down menu, and click on “Warranty Registration”.



Correct Disposal of this Product

This marking indicates that this product and its electronic components should not be disposed of with other commercial waste. To prevent possible harm to the environment or human health from uncontrolled waste disposal, recycle responsibly to promote the sustainable reuse of material resources. To dispose of product and its electronic components, contact supplier where product was purchased for environmentally safe recycling.

INTRODUCTION

Hatco Heated Black Glass Shelves are designed to hold food hot safely while blending into the surrounding décor. They will keep food at proper serving temperatures without affecting quality. These units feature a thermostatically-controlled heated glass base that extends the food holding times.

Heated Black Glass Shelves are products of extensive research and field testing. The materials used were selected for maximum durability, attractive appearance, and optimum performance. Every unit is inspected and tested thoroughly prior to shipment.

This manual provides the installation, safety, and operating instructions for Heated Black Glass Shelves. Hatco recommends all installation, operating, and safety instructions appearing in this manual be read prior to installation or operation of a unit.

Safety information that appears in this manual is identified by the following signal word panels:



WARNING indicates a hazardous situation which, if not avoided, could result in death or serious injury.



CAUTION indicates a hazardous situation which, if not avoided, could result in minor or moderate injury.



NOTICE is used to address practices not related to personal injury.



Read the following important safety information before using this equipment to avoid serious injury or death and to avoid damage to equipment or property.

WARNING**ELECTRIC SHOCK HAZARD:**

- Plug unit into a properly grounded electrical receptacle of the correct voltage, size, and plug configuration. If plug and receptacle do not match, contact a qualified electrician to determine and install proper voltage and size electrical receptacle.
- Turn OFF power switch, unplug power cord, and allow unit to cool before performing any cleaning, setup, or maintenance.
- DO NOT submerge or saturate with water. Unit is not waterproof. Do not operate if unit has been submerged or saturated with water.
- Unit is not weatherproof. Locate unit indoors where ambient air temperature is a minimum of 21°C (70°F).
- Remote mounted control panel must be mounted on a vertical wall and installed in vertical position. Mounting control panel in horizontal position may result in collection of liquids and lead to an electric shock.
- This unit is not “jet-proof” construction. Do not use jet-clean spray to clean this unit.
- Do not pull unit by power cord.
- Discontinue use if power cord is frayed or worn.
- Do not attempt to repair or replace a damaged power cord. Cord must be replaced by Hatco, an Authorized Hatco Service Agent, or a person with similar qualifications.
- Do not clean unit when it is energized or hot.
- Use only Genuine Hatco Replacement Parts when service is required. Failure to use Genuine Hatco Replacement Parts will void all warranties and may subject operators of the equipment to hazardous electrical voltage, resulting in electrical shock or burn. Genuine Hatco Replacement Parts are specified to operate safely in the environments in which they are used. Some aftermarket or generic replacement parts do not have the characteristics that will allow them to operate safely in Hatco equipment.

FIRE HAZARD: Locate unit a minimum of 25 mm (1”) from combustible walls and materials. If safe distances are not maintained, combustion or discoloration could occur.

Make sure food product has been heated to the proper food-safe temperature before placing on the unit. Failure to heat food product properly may result in serious health risks. This unit is for holding preheated food product only.

This unit is not intended for use by children or persons with reduced physical, sensory, or mental capabilities. Ensure proper supervision of children and keep them away from the unit.

Make sure all operators have been instructed on the safe and proper use of the unit.

This unit has no “user-serviceable” parts. If service is required on this unit, contact an Authorized Hatco Service Agent or contact the Hatco Service Department at 414-671-6350; fax 414-671-3976.

CAUTION

BURN HAZARD: Some exterior surfaces on unit will get hot. Use caution when touching these areas.

Locate unit at proper counter height in an area that is convenient for use. Location should be level to prevent unit or its contents from falling accidentally and strong enough to support the weight of the unit and contents.

Do not operate built-in models without control box mounted properly as described in the installation instructions.

The National Sanitation Foundation (NSF) requires that units over 36” (914 mm) in width or weighing more than 80 lbs. (36 kg) either be sealed to or raised above the installation surface. If unit cannot be sealed at the point of use, 4” (102 mm) legs are included to allow for proper cleaning access below unit.

Pitting or indentation in glass surface may occur from sugary spills. If pitting or indentation occurs, glass surface must be replaced. To prevent further damage and possible injury from broken glass, stop using unit immediately and contact an Authorized Hatco Service Agent.

NOTICE

Built-in units are designed for use in metallic countertops. Damage to non-metallic countertop material is not covered under the Hatco warranty.

Do not modify wiring or cut thermostat capillary wire on control box to increase remote mounting distance. Cutting thermostat capillary wire will cause unit to overheat and may damage unit as well as surrounding countertop.

Do not turn on unit until it has been cleaned thoroughly. Ceramic glass surface must be clear of debris to prevent burn-on.

Do not lay unit on the side with the control panel or damage to the unit could occur.

Do not slide pans across glass surface, use rough-bottomed pans, or drop anything on glass surface. Scratching or breakage may occur. Damage to glass surface or breakage of glass caused by misuse is not covered under warranty.

Use only wipes, pads, and cleaners designed specifically for cleaning ceramic glass surfaces. Using other wipes, pads, or cleaners may damage ceramic glass surface.

MODEL DESCRIPTION

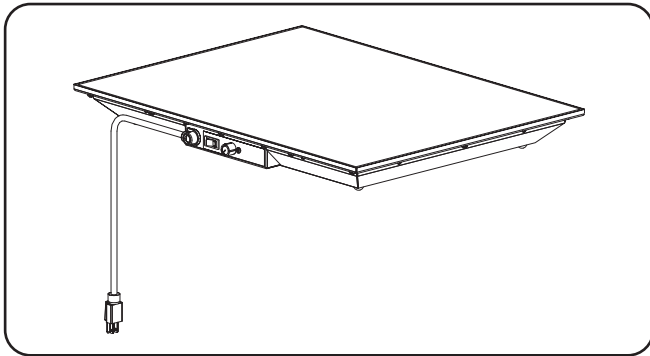


All Models

All Hatco Heated Black Glass Shelves are ideal for pass through areas, buffet lines, and as hors d'oeuvre displays. National Sanitation Foundation (NSF) approval allows the placement of food product directly on the glass surface, if desired. Standard equipment includes an illuminated power ON/OFF switch, a thermostatically-controlled heated ceramic glass top, and a painted steel base. The Heated Black Glass Shelves have a temperature range of 38° to 93°C (100° to 200°F).

HBG Models

The HBG Heated Black Glass Shelf is a portable shelf with an attached 1829 mm (6') cord and plug. The portable unit is available in six models: HBG-2418, HBG-3018, HBG-3618, HBG-4818, HBG-6018 and HBG-7218.

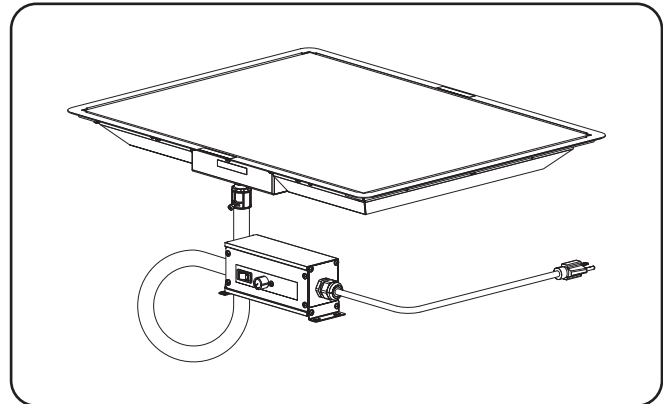


Model HBG

HBGB Models

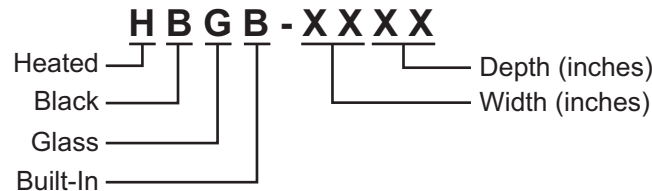
The HBGB Heated Black Glass Shelf is a built-in unit that is equipped with an attached trim mounting ring. The unit includes a remote control box that is attached with 914 mm (3') of conduit. A 1829 mm (6') cord with plug connects the remote control box to the power source.

The built-in units are available in six models: HBGB-2418, HBGB-3018, HBGB-3618, HBGB-4818, HBGB-6018 and HBGB-7218.



Model HBGB

MODEL DESIGNATION



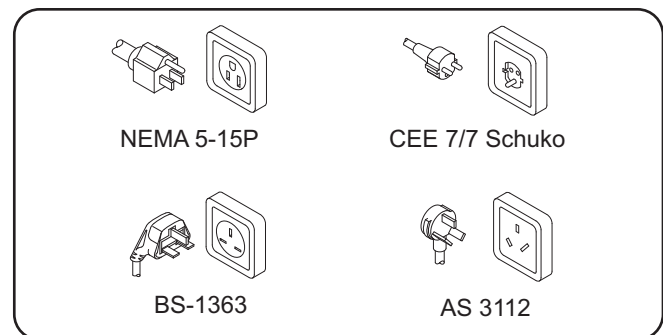
SPECIFICATIONS

Plug Configurations

Units are supplied from the factory with an electrical cord and plug installed. Plugs are supplied according to the application.



ELECTRIC SHOCK HAZARD: Plug unit into a properly grounded electrical receptacle of the correct voltage, size, and plug configuration. If plug and receptacle do not match, contact a qualified electrician to determine and install proper voltage and size electrical receptacle..



Plug Configurations

NOTE: Receptacle not supplied by Hatco.

Electrical Rating Chart — HBG Models

Model	Voltage	Watts	Amps	Plug Configurations	Shipping Weight
HBG-2418	100	425	4.3	NEMA 5-15P	10 kg (22 lbs.)
	220–230 (CE)	420–459	1.9–2.0	CEE 7/7 Schuko	10 kg (22 lbs.)
	230–240 (CE)	459–500	2.0–2.1	BS-1363 or AS 3112 *	10 kg (22 lbs.)
HBG-3018	100	525	5.3	NEMA 5-15P	12 kg (27 lbs.)
	220–230 (CE)	525–574	2.4–2.5	CEE 7/7 Schuko	12 kg (27 lbs.)
	230–240 (CE)	574–625	2.5–2.6	BS-1363 or AS 3112 *	12 kg (27 lbs.)
HBG-3618	100	630	6.3	NEMA 5-15P	15 kg (32 lbs.)
	220–230 (CE)	630–689	2.9–3.0	CEE 7/7 Schuko	15 kg (32 lbs.)
	230–240 (CE)	689–750	3.0–3.1	BS-1363 or AS 3112 *	15 kg (32 lbs.)
HBG-4818	100	850	8.5	NEMA 5-15P	20 kg (44 lbs.)
	220–230 (CE)	840–918	3.8–4.0	CEE 7/7 Schuko	20 kg (44 lbs.)
	230–240 (CE)	918–1000	4.0–4.2	BS-1363 or AS 3112 *	20 kg (44 lbs.)
HBG-6018	100	1050	10.5	NEMA 5-15P	25 kg (54 lbs.)
	220–230 (CE)	1050–1148	4.8–5.0	CEE 7/7 Schuko	25 kg (54 lbs.)
	230–240 (CE)	1148–1250	5.0–5.2	BS-1363 or AS 3112 *	25 kg (54 lbs.)
HBG-7218	100	1260	12.6	NEMA 5-15P	29 kg (64 lbs.)
	220–230 (CE)	1260–1378	5.7–6.0	CEE 7/7 Schuko	29 kg (64 lbs.)
	230–240 (CE)	1378–1500	6.0–6.3	BS-1363 or AS 3112 *	29 kg (64 lbs.)

Electrical Rating Chart — HBGB Models

Model	Voltage	Watts	Amps	Plug Configurations	Shipping Weight
HBGB-2418	100	425	4.3	NEMA 5-15P	12 kg (27 lbs.)
	220–230 (CE)	420–459	1.9–2.0	CEE 7/7 Schuko	12 kg (27 lbs.)
	230–240 (CE)	459–500	2.0–2.1	BS-1363 or AS 3112 *	12 kg (27 lbs.)
HBGB-3018	100	525	5.3	NEMA 5-15P	15 kg (32 lbs.)
	220–230	1050–1147	4.8–5.0	CEE 7/7 Schuko	15 kg (32 lbs.)
	220–230 (CE)	525–574	2.4–2.5	CEE 7/7 Schuko	15 kg (32 lbs.)
	230–240	1147–1249	5.0–5.2	CEE 7/7 Schuko	15 kg (32 lbs.)
	230–240 (CE)	574–625	2.5–2.6	BS-1363 or AS 3112 *	15 kg (32 lbs.)
HBGB-3618	100	630	6.3	NEMA 5-15P	17 kg (37 lbs.)
	220–230 (CE)	630–689	2.9–3.0	CEE 7/7 Schuko	17 kg (37 lbs.)
	230–240 (CE)	689–750	3.0–3.1	BS-1363 or AS 3112 *	17 kg (37 lbs.)
HBGB-4818	100	850	8.5	NEMA 5-15P	25 kg (54 lbs.)
	220–230 (CE)	840–918	3.8–4.0	CEE 7/7 Schuko	25 kg (54 lbs.)
	230–240 (CE)	918–1000	4.0–4.2	BS-1363 or AS 3112 *	25 kg (54 lbs.)
HBGB-6018	100	1050	10.5	NEMA 5-15P	29 kg (64 lbs.)
	220–230 (CE)	1050–1148	4.8–5.0	CEE 7/7 Schuko	29 kg (64 lbs.)
	230–240 (CE)	1148–1250	5.0–5.2	BS-1363 or AS 3112 *	29 kg (64 lbs.)
HBGB-7218	100	1260	12.6	NEMA 5-15P	34 kg (74 lbs.)
	220–230 (CE)	1260–1378	5.7–6.0	CEE 7/7 Schuko	34 kg (74 lbs.)
	230–240 (CE)	1378–1500	6.0–6.3	BS-1363 or AS 3112 *	34 kg (74 lbs.)

NOTE: Shipping weight includes packaging.

* AS 3112 plug for use in Australia only.

SPECIFICATIONS

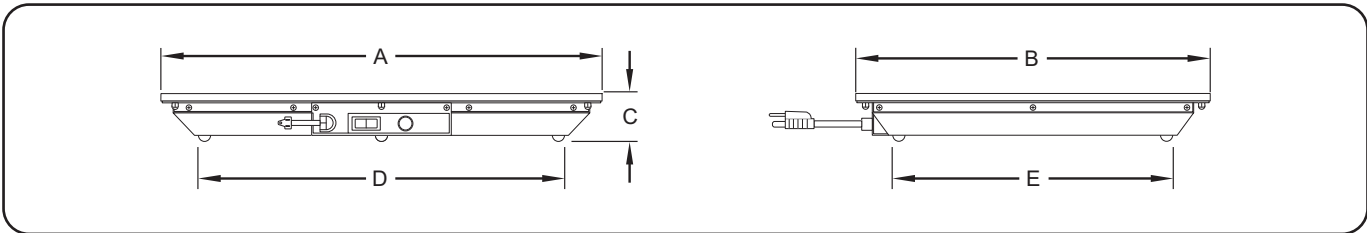


Dimensions — HBG Models

Model	Width (A)	Depth (B)	Height (C)	Footprint Width (D)	Footprint Depth (E)
HBG-2418	618 mm (24-3/8")	466 mm (18-3/8")	61 mm (2-7/16")	501 mm (19-3/4")	349 mm (13-3/4")
HBG-3018	771 mm (30-3/8")	466 mm (18-3/8")	61 mm (2-7/16")	654 mm (25-3/4")	349 mm (13-3/4")
HBG-3618	923 mm (36-3/8")	466 mm (18-3/8")	61 mm (2-7/16")	806 mm (31-3/4")	349 mm (13-3/4")
HBG-4818 †	1228 mm (48-3/8")	466 mm (18-3/8")	155 mm (6-1/8")	1086 mm (42-3/4")	324 mm (12-3/4")
HBG-6018 †	1533 mm (60-3/8")	466 mm (18-3/8")	155 mm (6-1/8")	1390 mm (54-3/4")	324 mm (12-3/4")
HBG-7218 †	1838 mm (72-3/8")	466 mm (18-3/8")	155 mm (6-1/8")	1695 mm (66-3/4")	324 mm (12-3/4")

NOTE: The specification label is located on the bottom of the unit. See label for serial number and verification of unit electrical information.

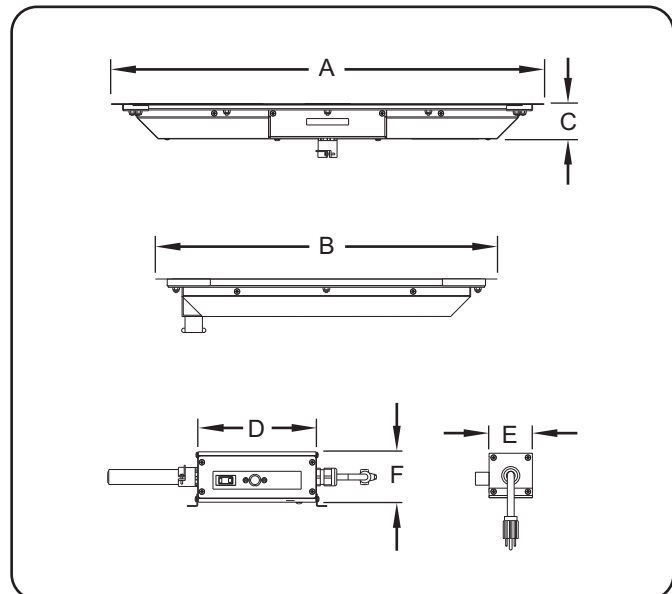
† Height (C) includes 4" (102 mm) legs.



Dimensions – HBG Model

Dimensions — HBGB Models

Model	Width (A)	Depth (B)	Height (C)
HBGB-2418	651 mm (25-5/8")	498 mm (19-5/8")	55 mm (2-3/16")
HBGB-3018	803 mm (31-5/8")	498 mm (19-5/8")	55 mm (2-3/16")
HBGB-3618	955 mm (37-5/8")	498 mm (19-5/8")	55 mm (2-3/16")
HBGB-4818	1260 mm (49-5/8")	498 mm (19-5/8")	55 mm (2-3/16")
HBGB-6018	1565 mm (61-5/8")	498 mm (19-5/8")	55 mm (2-3/16")
HBGB-7218	1870 mm (73-5/8")	498 mm (19-5/8")	55 mm (2-3/16")



Dimensions – HBGB Model

	Width (A)	Depth (B)	Height (C)
Remote Box	178 mm (7")	64 mm (2-1/2")	76 mm (3")

General

Use the following procedures to install the HBG and HBGB units.

WARNING

ELECTRIC SHOCK HAZARD: Unit is not weatherproof. Locate unit indoors where ambient air temperature is a minimum of 21°C (70°F).

FIRE HAZARD: Locate unit a minimum of 25 mm (1") from combustible walls and materials. If safe distances are not maintained, combustion or discoloration could occur.

CAUTION

Locate unit at proper counter height in an area that is convenient for use. Location should be level to prevent unit or its contents from falling accidentally and strong enough to support the weight of the unit and contents.

NOTICE

Do not lay unit on the side with the control panel or damage to the unit could occur.

HBG Models

1. Remove unit from box.
2. Remove tape and protective packaging from all surfaces of unit.

NOTE: If 102 mm (4") legs are required, refer to the **OPTIONS AND ACCESSORIES** section in this manual for installation instructions. 102 mm legs are included with models greater than 1041 mm (36") in width.

3. Place the unit in the desired location.
 - Locate the unit in an area where the ambient air temperature is constant and a minimum of 21°C (70°F). Avoid areas that may be subject to active air movements or currents (i.e., near exhaust fans/hoods and air conditioning ducts).
 - Make sure the unit is at the proper counter height in an area convenient for use.
 - Make sure the countertop is level and strong enough to support the weight of the unit and food product.
 - Make sure all the feet on the bottom of the unit are positioned securely on the countertop.
4. Install any accessories that came with the unit. Refer to the **OPTIONS AND ACCESSORIES** section for details.

HBGB Models

CAUTION

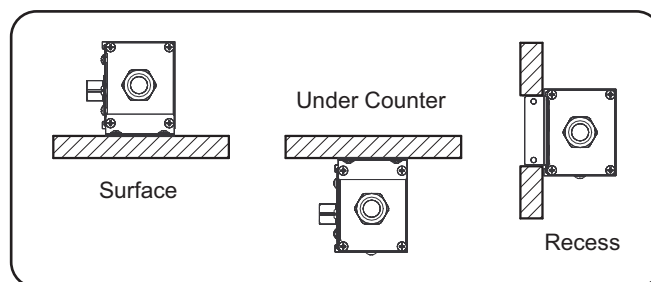
The National Sanitation Foundation (NSF) requires that units over 36" (914 mm) in width or weighing more than 80 lbs. (36 kg) either be sealed to or raised above the installation surface. If unit cannot be sealed at the point of use, 4" (102 mm) legs are included to allow for proper cleaning access below unit.

Do not operate built-in models without control box mounted properly as described in the installation instructions.

NOTICE

Built-in units are designed for use in metallic countertops. Damage to non-metallic countertop material is not covered under the Hatco warranty.

1. Remove unit from box.
2. Remove tape and protective packaging from all surfaces of unit.
3. Prepare the countertop opening. Refer to the "Countertop Cutout" chart in this section for recommended countertop cutout dimensions.
4. Apply a bead of NSF-approved sealant on the top edge of the countertop cutout and the underside of the trim mounting ring. The sealant must be rated for use at a minimum temperature of 121°C (250°F).
5. Place the unit into the countertop opening.
6. Remove any excess sealant.
7. Locate the remote control box assembly in an area that is convenient for operation. If necessary, remove the end brackets from the control box, rotate, and reposition them.
 - The remote control box can be surface, under-counter, or recess mounted. If recess mounting, the control box will require a mounting cutout of 7-1/4" W x 3-1/4" H (184 x 83 mm).



Remote Control Box Mounting Options

- The distance the remote control box can be mounted from the unit is determined by the 914 mm (3') conduit. Do not pull the conduit tight to increase the mounting distance. The conduit should have some slack after the control box is mounted.

continued...

NOTICE

Do not modify wiring or cut thermostat capillary wire on control box to increase remote mounting distance. Cutting thermostat capillary wire will cause unit to overheat and may damage unit as well as surrounding countertop.

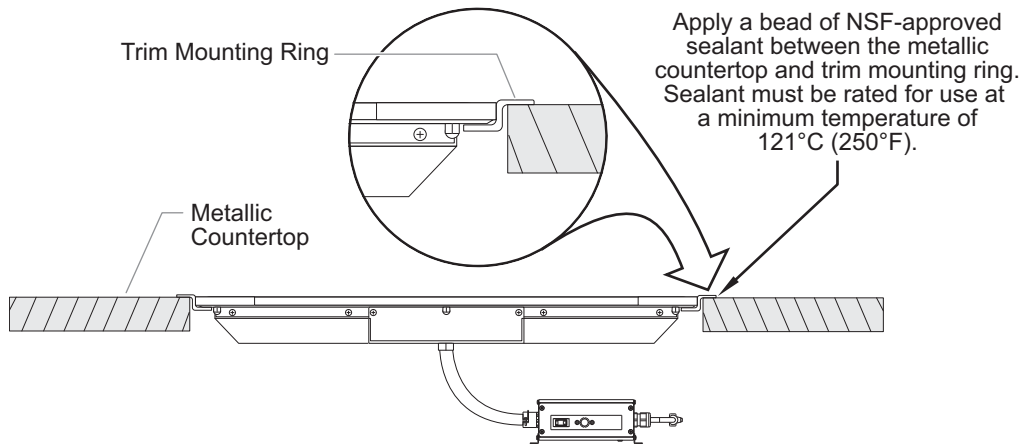
NOTE: The remote control box should be mounted using screws with a 1/4" (6 mm) minimum diameter screw head inserted through the keyholes located on the mounting brackets. The remote control box is to be readily removable, not permanently mounted.

8. Once all components are secured, proceed to the OPERATION section.

NOTE: A 1829 mm (6') cord is supplied with this appliance; any excess cord should be neatly routed so it does not hang down.

Countertop Cutout

Model	Width	Depth
HBGB-2418	625 mm (24-5/8") – 632 mm (24-7/8")	473 mm (18-5/8") – 480 mm (18-7/8")
HBGB-3018	778 mm (30-5/8") – 784 mm (30-7/8")	473 mm (18-5/8") – 480 mm (18-7/8")
HBGB-3618	930 mm (36-5/8") – 937 mm (36-7/8")	473 mm (18-5/8") – 480 mm (18-7/8")
HBGB-4818	1235 mm (48-5/8") – 1241 mm (48-7/8")	473 mm (18-5/8") – 480 mm (18-7/8")
HBGB-6018	1540 mm (60-5/8") – 1546 mm (60-7/8")	473 mm (18-5/8") – 480 mm (18-7/8")
HBGB-7218	1845 mm (72-5/8") – 1851 mm (72-7/8")	473 mm (18-5/8") – 480 mm (18-7/8")



HBGB Countertop Installation

General

Use the following procedure to turn on and operate the HBG and HBGB units.



Read all safety messages in the **IMPORTANT SAFETY INFORMATION** section before operating this equipment.



Do not turn on unit until it has been cleaned thoroughly. Ceramic glass surface must be clear of debris to prevent burn-on.

Use only wipes, pads, and cleaners designed specifically for cleaning ceramic glass surfaces. Using other wipes, pads, or cleaners may damage ceramic glass surface.

Do not slide pans across glass surface, use rough-bottomed pans, or drop anything on glass surface. Scratching or breakage may occur. Damage to glass surface or breakage of glass caused by misuse is not covered under warranty.

1. Using an appropriate cleaning wipe or a damp cloth, clean the glass surface of the unit. Consistent daily cleaning will keep cleanup easy as well as protect and preserve the glass surface of the unit.
2. Plug the unit into a properly grounded electrical receptacle of the correct voltage, size, and plug configuration. See the SPECIFICATIONS section for details.

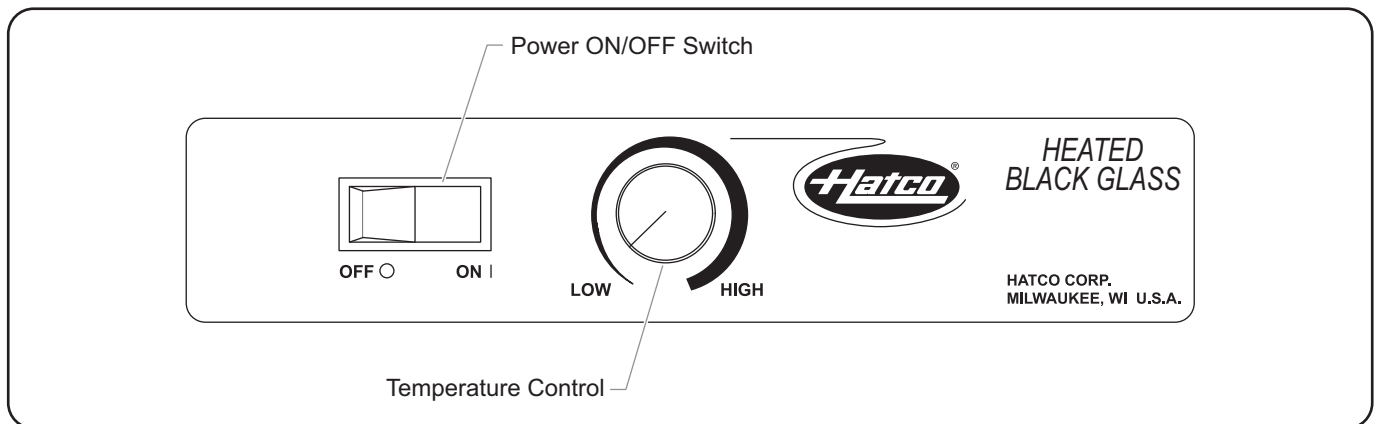
3. Move the power ON/OFF switch to the ON position.



BURN HAZARD: Some exterior surfaces on unit will get hot. Use caution when touching these areas.

4. Turn the temperature control to the desired temperature setting.
5. Allow the unit 30 minutes to reach operating temperature.

NOTE: Refer to the OPTIONS AND ACCESSORIES section for installation and operation information for HBGB units equipped with the flush-style remote mounted control panel.



Standard Control Panel

General

Hatco Heated Black Glass Shelves are designed for maximum durability and performance, with minimum maintenance.



ELECTRIC SHOCK HAZARD:

- Turn OFF power switch, unplug power cord, and allow unit to cool before performing any cleaning, setup, or maintenance.
- DO NOT submerge or saturate with water. Unit is not waterproof. Do not operate if unit has been submerged or saturated with water.
- This unit is not “jet-proof” construction. Do not use jet-clean spray to clean this unit.

This unit has no “user-serviceable” parts. If service is required on this unit, contact an Authorized Hatco Service Agent or contact the Hatco Service Department at 414-671-6350; fax 414-671-3976.



Use only wipes, pads, and cleaners designed specifically for cleaning ceramic glass surfaces. Using other wipes, pads, or cleaners may damage ceramic glass surface.

DO NOT turn on unit until it has been cleaned thoroughly. Ceramic glass surface must be clear of debris to prevent burn-on.

Daily Cleaning

Consistent daily cleaning will keep cleanup easy as well as protect and preserve the glass surface. Make sure to use only wipes, pads, and cleaners designed specifically for cleaning ceramic glass surfaces.

1. Before turning on the unit each day, clean the glass surface using an appropriate cleaning wipe or a damp cloth.
2. At the end of each day:
 - a. Turn off the unit and allow to cool.
 - b. Clean the glass surface using an appropriate cleaning wipe or damp cloth. If additional cleaning is necessary, follow the “Cleaning Burned-On Residue” procedure in this section.

Cleaning Burned-On Residue

To clean burned-on residue, the use of ceramic glass cleaner may be necessary.

1. Allow the unit to cool.
2. Spread a few drops of ceramic glass cleaner onto the residue area.
3. Using an appropriate cleaning wipe, rub the residue area while applying pressure as needed.
4. If residue remains, repeat the steps above as needed.
5. After all residue has been removed, polish the entire glass surface using the ceramic glass cleaner and paper towel.

Cleaning Sugary/Sticky Spills

1. Turn off the unit.
2. While wearing an oven mitt, remove the bulk of the spill using paper towel.
3. Allow the unit to cool.
4. Follow the “Cleaning Burned-On Residue” procedure in this section to remove the remainder of the spill.
5. Do not use the unit again until the spill has been cleaned completely.



Pitting or indentation in glass surface may occur from sugary spills. If pitting or indentation occurs, glass surface must be replaced. To prevent further damage and possible injury from broken glass, stop using unit immediately and contact an Authorized Hatco Service Agent.

Cleaning Metal Marks and Scratches

Metal marks and scratches from pans usually can be removed. Be careful when placing pans onto the glass surface. To avoid metal marks and scratches, do not slide pans across the glass surface.

1. Allow the unit to cool.
2. Spread a few drops of ceramic glass cleaner onto the marked area.
3. Using an appropriate cleaning wipe, rub the marked area while applying pressure as needed.
4. If metal marks and scratches remain, repeat the steps above as needed.

NOTE: Check the bottom of all pans for roughness that could scratch the glass surface.

NOTE: Damage caused by sugary/sticky spills or rough pan bottoms is not covered under warranty.

⚠ WARNING

This unit must be serviced by qualified personnel only. Service by unqualified personnel may lead to electric shock or burn.

⚠ WARNING

ELECTRIC SHOCK HAZARD: Turn OFF power switch, unplug power cord, and allow unit to cool before performing any cleaning, setup, or maintenance.

Symptom	Probable Cause	Corrective Action
Unit too hot.	Temperature control set too high.	Adjust temperature control to a lower setting.
	Temperature control stuck in the ON position.	Contact Authorized Service Agent or Hatco for assistance.
	Unit plugged into incorrect power supply.	Verify with qualified personnel that power supply matches unit specification.
Unit not hot enough.	Temperature control set too low.	Adjust temperature control to a higher setting.
	Location of unit is susceptible to air currents (air conditioning ducts or exhaust fans).	Block air currents or relocate unit.
Unit not working at all.	Unit not plugged in.	Plug unit into proper power supply.
	Unit not turned on.	Move power ON/OFF switch to the ON position.
	Power ON/OFF switch is not functioning.	Contact Authorized Service Agent or Hatco for assistance.
	Heating element is burned out.	Contact Authorized Service Agent or Hatco for assistance.
	Temperature control is defective.	Contact Authorized Service Agent or Hatco for assistance.

Troubleshooting Questions?

If you continue to have problems resolving an issue, please contact the nearest Authorized Hatco Service Agency or Hatco for assistance. To locate the nearest Service Agency, log onto the Hatco website at www.hatcocorp.com and click on *Find Service Agent*, or contact the **Hatco Parts and Service Team** at:

Telephone: 414-671-6350

e-mail: partsandservice@hatcocorp.com

Fax: 414-671-3976

OPTIONS AND ACCESSORIES

Handles (HBG Model)

The following handles are available for the HBG unit.

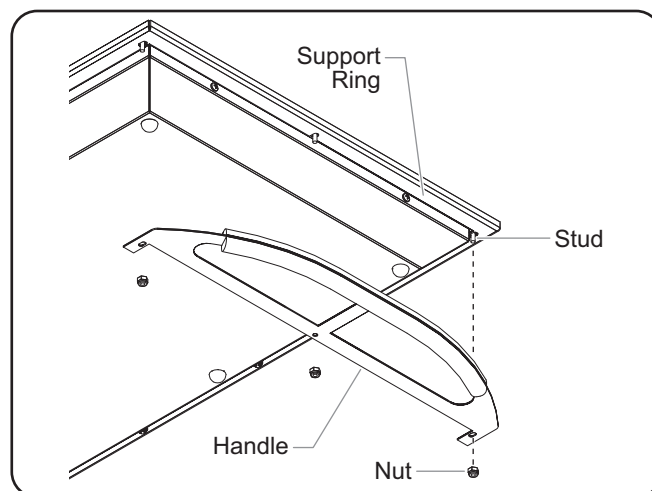
HANDLE-18-SSRounded stainless steel handles

HANDLE-18-BLK ..*Designer* black powdercoated rounded stainless steel handles

The handles are field retrofittable and are installed onto each end of the unit using the following procedure.

On each end of the unit:

1. Remove the three nuts located on the underside of the glass surface support ring.
2. Align the three holes on the handle with the three studs on the support ring, and position the handle on the studs.
3. Replace the three nuts onto the studs, and tighten securely.



Handle Installation

102 mm Adjustable Legs (HBG Model)

Use the following procedure to install 102 mm (4") adjustable legs in place of the rubber feet on an HBG unit.

NOTE: 102 mm (4") legs are included with models greater than 1041 mm (36") in width.



WARNING

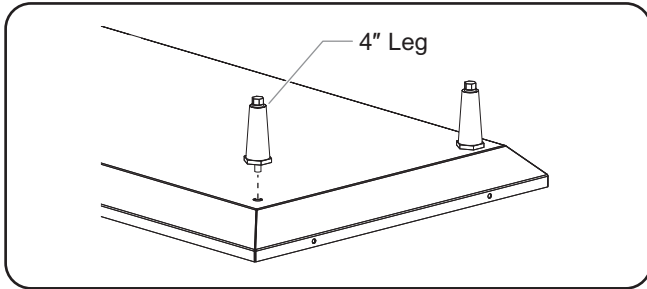
ELECTRIC SHOCK HAZARD: Turn OFF power switch, unplug power cord, and allow unit to cool before performing any cleaning, setup, or maintenance.



NOTICE

Do not lay unit on the side with the control panel or damage to unit could occur.

1. Turn off the unit, unplug the power cord, and allow the unit to cool.
2. Carefully turn the unit upside down and lay the unit on a flat surface. Make sure to cover the surface with something to prevent scratching the glass.
3. At each corner of the base, remove the foot screw and rubber foot.



Installing the 4" Legs

4. At each corner of the base, screw a 4" leg into the bottom of the base.

NOTE: The feet on the 4" legs are adjustable for leveling the unit. Use a 5/8" (16 mm) open-end wrench to make leveling adjustments once the unit is placed in its final position.

Remote Mounted Control Panel (HBGB)

A flush-style remote mounted control panel is available as a factory-installed option for the HBGB unit. Install the control panel on-site using the following procedure.



WARNING

ELECTRIC SHOCK HAZARD: Remote mounted control panel must be mounted on a vertical wall and installed in vertical position. Mounting control panel in horizontal position may result in collection of liquids and lead to an electric shock.



NOTICE

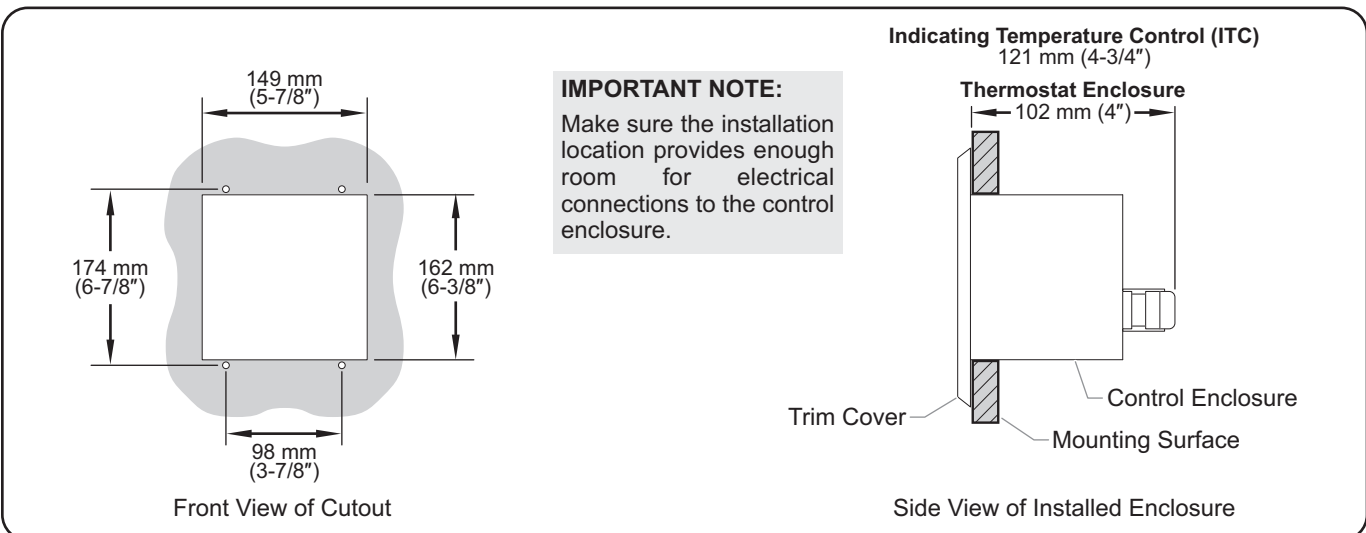
The remote mounted control panel should be installed outside of the heat zone. Locating the control panel inside the heat zone will cause the control(s) to overheat, malfunction, and fail.

Do not modify wiring or cut thermostat capillary wire on control box to increase semi-remote mounting distance. Cutting the thermostat capillary wire will cause the unit to overheat and may damage the unit as well as the surrounding countertop.

NOTE: A qualified electrician is recommended for installing the remote mounted control panel.

1. Prepare cutout and pre-drill screw holes (see Figure 10).
2. Remove trim cover from control panel assembly.
3. Position control panel into opening through the backside.
4. Secure control panel to surface using screws (not supplied).
5. Plug the control panel into a properly grounded electrical outlet of the correct voltage, size, and plug configuration. Refer to the SPECIFICATIONS section for details.
6. Reinstall trim cover.

NOTE: Units are equipped with a 914 mm (3'), 1829 mm (6'), or 3048 mm (10') flexible conduit connecting the control panel to the unit.



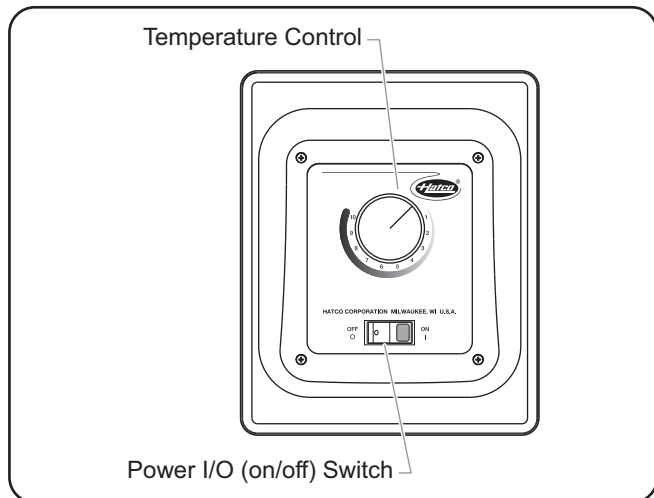
Remote Mounted Control Panel Installation Dimensions

Power ON/OFF Switch

The remote mounted control panel is equipped with a power ON/OFF switch. Move the power ON/OFF switch to the ON position to turn on the unit. The indicator light in the switch glows when the unit is on.

Adjusting the Temperature Control

Turn the temperature control clockwise to increase the temperature setpoint. Turn the temperature control counterclockwise to decrease the temperature setpoint.



Remote Mounted Control Panel

Changing the Setpoint Temperature — Digital Temperature Controller

Units equipped with a digital temperature controller will heat up to the setpoint temperature automatically when they are turned on. Use the following procedure to change the setpoint temperature.

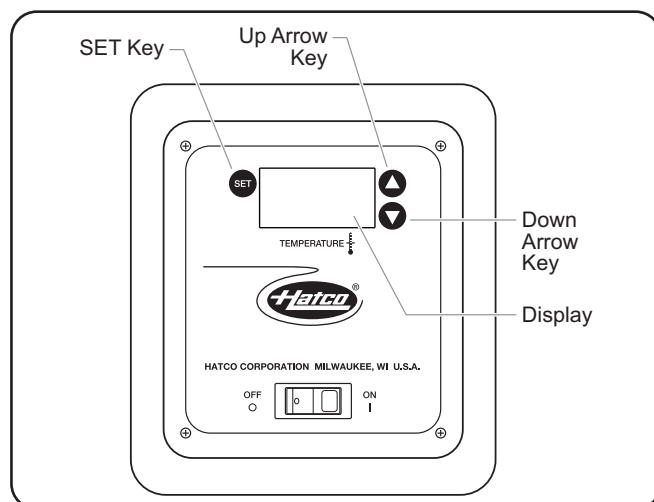
NOTICE

Built-in units must not have a setpoint temperature higher than 200°F (93°C). Temperatures exceeding 200°F (93°C) will damage unit and void warranty.

NOTE: The temperature shown on the display may be inaccurate when unit temperature is below 130°F (54°C).

1. Press the **SET** key three times. The current setpoint temperature will be shown on the TEMPERATURE display ("SP" will be shown after the second press).
2. Press the **▲** key or **▼** key within 10 seconds to change the setpoint temperature.
3. Press the **SET** key to lock in the new setpoint temperature. The TEMPERATURE display will go blank for two seconds to show that the new setting has been accepted.

NOTE: After 10 seconds of inactivity during the programming process, the controller will exit programming mode automatically without saving any changes.



Digital Temperature Controller

Changing Fahrenheit and Celsius Setting — Digital Temperature Controller

Use the following procedure to change between Fahrenheit and Celsius on the display.

1. Press the **SET** key once. Either an "F" for Fahrenheit or "C" for Celsius will be shown.
2. Press the **▲** key or **▼** key within 10 seconds to change between "F" (Fahrenheit) and "C" (Celsius).
3. Press the **SET** key three times to lock in the new setting. The TEMPERATURE display will go blank for two seconds to show that the new setting has been accepted.

NOTE: After 10 seconds of inactivity during the programming process, the controller will exit programming mode automatically without saving any changes.

1. PRODUCT WARRANTY

Hatco warrants the products that it manufactures (the "Products") to be free from defects in materials and workmanship, under normal use and service, for a period of one (1) year from the date of purchase when installed and maintained in accordance with Hatco's written instructions or 18 months from the date of shipment from Hatco. Buyer must establish the Product's purchase date by registering the Product with Hatco or by other means satisfactory to Hatco in its sole discretion.

Hatco warrants the following Product components to be free from defects in materials and workmanship from the date of purchase (subject to the foregoing conditions) for the period(s) of time and on the conditions listed below:

a) Two (2) Year Parts Warranty:

- Conveyor Toaster Elements (metal sheathed)
- Drawer Warmer Elements (metal sheathed)
- Drawer Warmer Drawer Rollers and Slides
- Strip Heater Elements (metal sheathed)
- Display Warmer Elements (metal sheathed air heating)
- Holding Cabinet Elements (metal sheathed air heating)
- Heated Well Elements — HWB Series (metal sheathed)

b) Five (5) Year Parts Warranty:

- 3CS and FR Tanks

c) Ten (10) Year Parts Warranty:

- Electric Booster Heater Tanks
- Gas Booster Heater Tanks

d) Ninety (90) Day Parts Warranty:

- Replacement Parts

THE FOREGOING WARRANTIES ARE EXCLUSIVE AND IN LIEU OF ANY OTHER WARRANTY, EXPRESSED OR IMPLIED, INCLUDING BUT NOT LIMITED TO ANY IMPLIED WARRANTY OF MERCHANTABILITY OR FITNESS FOR A PARTICULAR PURPOSE OR PATENT OR OTHER INTELLECTUAL PROPERTY RIGHT INFRINGEMENT. Without limiting the generality of the foregoing, SUCH WARRANTIES DO NOT COVER: Coated incandescent light bulbs, fluorescent lights, heat lamp bulbs, coated halogen light bulbs, halogen heat lamp bulbs, xenon light bulbs, LED light tubes, glass components, and fuses; Product failure in booster tank, fin tube heat exchanger, or other water heating equipment caused by liming, sediment buildup, chemical attack, or freezing; or Product misuse, tampering or misapplication, improper installation, or application of improper voltage.

2. LIMITATION OF REMEDIES AND DAMAGES

Hatco's liability and Buyer's exclusive remedy hereunder will be limited solely to replacement of part or Product using, at Hatco's option, new or refurbished parts or Product by Hatco or a Hatco-authorized service agency with respect to any claim made within the applicable warranty period referred to above. Hatco reserves the right to accept or reject any such claim in whole or in part. In the context of this Limited Warranty, "refurbished" means a part or Product that has been returned to its original specifications by Hatco or a Hatco-authorized service agency. Hatco will not accept the return of any Product without prior written approval from Hatco, and all such approved returns shall be made at Buyer's sole expense. HATCO WILL NOT BE LIABLE, UNDER ANY CIRCUMSTANCES, FOR CONSEQUENTIAL OR INCIDENTAL DAMAGES, INCLUDING BUT NOT LIMITED TO LABOR COSTS OR LOST PROFITS RESULTING FROM THE USE OF OR INABILITY TO USE THE PRODUCTS OR FROM THE PRODUCTS BEING INCORPORATED IN OR BECOMING A COMPONENT OF ANY OTHER PRODUCT OR GOODS.

SERVICE INFORMATION

The warranty on Hatco Heated Black Glass Shelves is for one year from date of purchase or eighteen months from date of shipping from Hatco, whichever occurs first.

If you experience a problem with a Heated Black Glass Shelf during the warranty period, please do the following:

Contact Local Hatco Dealer

When contacting the Hatco dealer for service assistance, please supply the dealer with the following information to ensure prompt processing:

- Model of unit
- Serial number (located on the bottom of the unit)
- Specific problem with the unit
- Date of purchase
- Name of business
- Shipping address
- Contact name and phone number

The Hatco dealer will do the following:

- Provide replacement part(s) as required
- Submit warranty claim to Hatco for processing

Non-Warranty Problems

If you experience a non-warranty problem that requires assistance, please contact the nearest Authorized Hatco Service Agency.

To locate the nearest Service Agency:

- access our website at www.hatcocorp.com, select the *Resources* pull-down menu, and click on "Find Service Agent/Distributor"
- call Hatco Service at 414-671-6350
- e-mail Hatco Service at partsandservice@hatcocorp.com

Wichtige Informationen für den Benutzer	15	Betrieb	22
Einleitung	15	Allgemeines	22
Wichtige Sicherheitshinweise	16	Wartung	23
Modellbeschreibung	17	Allgemeines	23
Alle Modelle	17	Tägliche Reinigung	23
HBG-Modelle	17	Beseitigen Eingebrauntes	23
HBGB-Modelle.....	17	Rückstände Beseitigen von zuckerhaltigen.....	23
Modellbezeichnung	17	Verschüttungen Beseitigen von Metallspuren	
Technische Daten	17	und Kratzern	23
Steckerkonfigurationen	17	Richtlinien zur Störungsbeseitigung	24
Tabelle der elektrischen Anschlüsse	18	Optionen und Zubehör	24
Abmessungen	19	Internationale Beschränkte Garantie	27
Aufstellen des Gerät	20	Hinweise zur Garantieleistung	27
Allgemeines	20		
Modelle HBG	20		
Modelle HBGB.....	20		

WICHTIGE INFORMATIONEN FÜR DEN BENUTZER

Schreiben Sie die Modellbezeichnung, die Seriennummer (unter dem Gerät), die Spannung und das Kaufdatum in die folgenden Zeilen. Haben Sie bitte diese Information zur Hand, wenn Sie Hatco wegen einer Service-Unterstützung anrufen.

Modellbezeichnung _____

Seriennummer _____

Spannung _____

Kaufdatum _____

Registrieren Sie Ihr Gerät!

Wenn Sie die Online-Garantieregistrierung ausfüllen, vermeiden Sie Verzögerungen beim Erhalt der Garantiedeckung. Rufen Sie die Hatco Website unter www.hatcocorp.com auf, wählen Sie das Pulldown-Menü „Parts & Service“ (Ersatzteile und Wartung) aus und klicken Sie auf „Warranty Registration“ (Garantieregistrierung).

Geschäftszeiten: 7.00 Uhr bis 17.00 Uhr
Central Standard Time (CST)
(im Sommer [Juni bis September] –
7.00 Uhr bis 17.00 Uhr (CST)
Montag bis Donnerstag
7.00 Uhr bis 16.00 Uhr (CST) Freitag)

Telefon: 414-671-6350
E-mail: partsandservice@hatcocorp.com
Fax: 414-671-3976 (Ersatzteile und Service)

Weitere Informationen finden Sie auf unserer Website unter www.hatcocorp.com.



Ordnungsgemäße Entsorgung dieses Produkts

Dieses Symbol zeigt an, dass dieses Produkt und seine elektronischen Komponenten nicht zusammen mit anderem Gewerbeabfall entsorgt werden darf. Um Schädigungen der Umwelt oder der menschlichen Gesundheit durch eine unkontrollierte Entsorgung von Abfällen zu vermeiden, sollten Sie es einer fachgerechten Entsorgung zuführen, um die umweltverträgliche Wiederverwendung von Materialressourcen zu fördern. Wenn Sie dieses Produkt und seine elektronischen Komponenten entsorgen möchten, informieren Sie sich bitte beim Händler, bei dem Sie es erworben haben, welche Möglichkeiten zu einer umweltfreundlichen Entsorgung bestehen.

EINLEITUNG

Die beheizten, schwarzen Glasregale von Hatco dienen der sicheren Warmhaltung von Speisen und fügen sich nahtlos in das Dekor der Umgebung ein. Sie halten die richtige Serviertemperaturen der Speisen aufrecht, ohne deren Qualität zu beeinträchtigen. Diese Geräte besitzen einen thermostatgeregelten, beheizten Glassockel, der die Haltezeit der Speisen verlängert.

Beheizte, schwarze Glasregale sind das Ergebnis von umfangreicher Forschungstätigkeit und praktischen Tests. Die verwendeten Materialien wurden ausgewählt, um lange Lebensdauer, gute Optik und optimale Leistung zu erzielen. Jedes Gerät wurde vor der Auslieferung ausführlich überprüft und getestet.

In diesem Handbuch sind die Einbau-, Sicherheits- und Bedienungsanweisungen für beheizte, schwarze Glasregale enthalten. Hatco empfiehlt, alle in diesem Handbuch enthaltenen Einbau-, Sicherheits- und Bedienungsanweisungen vor der Installation und Inbetriebnahme zu lesen.

Sicherheitshinweise sind in diesem Handbuch durch ein Warnsymbol mit den folgenden Signalwörtern gekennzeichnet:



WARNUNG

WARNUNG bedeutet, dass eine Gefahr schwerer oder tödlicher Verletzungen besteht, wenn die Situation nicht vermieden wird.



VORSICHT

VORSICHT bedeutet, dass eine Gefahr leichter oder mittelschwerer Verletzungen besteht, wenn die Situation nicht vermieden wird.

HINWEIS

HINWEIS bedeutet, dass eine Gefahr von Geräte- oder Sachschäden besteht.



Vor der Anwendung dieser Ausrüstung lesen Sie die folgenden wichtigen Sicherheitsinformationen, um ernste Verletzung oder Tod zu vermeiden und Schaden der Ausrüstung oder des Eigentums zu vermeiden.

! WARNUNG

GEFAHR VON ELEKTROSCHOCKS:

- Das Gerät muss an eine ordnungsgemäß geerdete Steckdose mit der richtigen Spannung, Größe und Steckerkonfiguration angeschlossen werden. Wenn Stecker und Steckdose nicht übereinstimmen, wenden Sie sich an einen qualifizierten Elektriker, um die richtige Netzspannung und Steckerart zu ermitteln und die korrekte Steckdose zu installieren.
- Den Netzschalter **AUSSCHALTEN**, das Netzkabel abziehen und das Gerät abkühlen lassen, bevor Wartungs- und Reinigungsarbeiten durchgeführt werden.
- Tauchen Sie das Gerät **NICHT** in Wasser und reinigen Sie das Gerät **NICHT** mit übermäßig viel Wasser. Das Gerät ist nicht wasserdicht. Es darf nicht betrieben werden, wenn es in Wasser getaucht oder mit übermäßig viel Wasser gereinigt wurde.
- Das Gerät ist nicht witterungsfest. Stellen Sie das Gerät in einem Raum an einer Stelle auf, an der die Umgebungstemperatur mindestens 21 °C beträgt.
- Dieses Gerät ist nicht für direktes Absprühen mit einem Wasserstrahl geeignet. Es darf nicht mit einem Sprühstrahl gereinigt werden.
- Ziehen Sie das Gerät nicht am Kabel.
- Betreiben Sie das Gerät nicht, wenn das Netzkabel durchgescheuert oder abgenutzt ist.
- Versuchen Sie nicht, ein beschädigtes Netzkabel zu reparieren oder zu ersetzen. Das Kabel muss durch Hatco, einen autorisierten Servicebetrieb oder einen qualifizierten Techniker ersetzt werden.
- Reinigen Sie das Gerät nicht, wenn es sich in Betrieb befindet oder heiß ist.
- Verwenden Sie bei der Reparatur von Hatco Geräten ausschließlich Hatco Ersatzteile. Wenn Sie keine Original-Hatco-Ersatzteile verwenden, werden alle Garantien ungültig und Sie setzen die Bediener der Geräte möglicherweise gefährlichen elektrischen Spannungen aus, welche zu Stromschlag oder Verbrennungen führen können. Original-Hatco-Ersatzteile sind für den sicheren Betrieb unter den gegebenen Einsatzbedingungen ausgelegt. Manche Ersatzteile anderer Hersteller oder Nachbauteile verfügen nicht über die geforderten Eigenschaften und funktionieren nicht sicher in Hatco Geräten.

BRANDGEFAHR: Stellen Sie das Gerät mit mindestens 25 mm Abstand zu entflammenden Wänden oder Materialien auf. Wenn dieser Sicherheitsabstand nicht eingehalten wird, können Verfärbungen entstehen und brennbare Stoffe können sich entzünden.

Sicherstellen, dass das Nahrungsmittelprodukt auf die korrekte Temperatur für sicheren Konsum erwärmt wurde, bevor es in den Wärmer gestellt wird. Wenn die Speisen nicht korrekt erwärmt werden, bestehen schwere Gesundheitsrisiken. Dieses Gerät dient nur zum Halten von vorgewärmten Speiseprodukten.

Sicherstellen, dass alle Bediener im sicheren und fachgerechten Gebrauch des Geräts geschult sind.

! WARNUNG

Dieses Gerät ist nicht für den Gebrauch durch Kinder oder Personen mit eingeschränkten körperlichen, sensorischen oder geistigen Fähigkeiten vorgesehen. Für eine ordnungsgemäße Beaufsichtigung von Kindern sorgen und diese von dem Gerät fern halten.

Falls eine Reparatur dieses Geräts erforderlich sein sollte, wenden Sie sich an Ihren autorisierten Hatco Servicebetrieb oder an die Hatco Serviceabteilung unter +1-414-671-6350 (Telefon) oder +1-414-671-3976 (Fax).

! VORSICHT

VERBRENNUNGSGEFAHR: Einige Außenflächen des Geräts werden heiß. Beim Berühren dieser Flächen Vorsicht walten lassen.

Stellen Sie das Gerät unter Einhaltung der richtigen Thekenhöhe an einer geeigneten Stelle auf. Der Aufstellungsort sollte eben sein, um versehentliches Umkippen des Geräts bzw. Herausfallen des Inhalts zu verhindern, und standfest genug, um das Gewicht von Gerät und Speisen zu tragen.

Einbaumodelle nicht ohne die ordnungsgemäß, d. h. nach der Beschreibung in der Installationsanleitung montierte Bedieneinheit in Betrieb nehmen.

In den USA schreibt die National Sanitation Foundation (NSF) vor, dass Geräte mit einer Breite von mehr als 914 mm (36 Zoll) oder mit einem Gewicht von mehr als 36 kg (80 lb) versiegelt oder von der Aufstellfläche abgehoben werden müssen. Wenn dieses Gerät am Einsatzort nicht versiegelt werden kann, müssen die mitgelieferten 102 mm (4 Zoll) Füße benutzt werden, damit die Fläche unter dem Gerät korrekt gereinigt werden kann.

Verschüttete zuckerhaltige Substanzen können zu Lochfraß oder Einkerbungen in der Glasoberfläche führen. In diesen Fällen muss die Glasfläche ersetzt werden. Zur Vermeidung weiterer Schäden und potenzieller Verletzungen durch Glasscherben den Gebrauch des Geräts sofort einstellen und einen Hatco-Vertragshändler verständigen.

HINWEIS

Eingebaute Geräte sind zum Gebrauch in Metall-Arbeitsflächen vorgesehen. Schäden in nicht aus Metall bestehenden Arbeitsflächen sind von der Hatco-Garantie nicht gedeckt.

Keine Veränderungen an den Drahtleitungen vornehmen und den Thermostat-Kapillardraht an der Bedieneinheit nicht abschneiden, um den Abstand zu vergrößern, in dem die Halbfernbedienung angebracht wird.

Das Gerät erst nach einer gründlichen Reinigung einschalten. Keramikglasoberflächen dürfen keine Verunreinigungen aufweisen, die einbrennen könnten.

Legen Sie das Gerät nicht auf die Seite mit dem Bedienfeld, um Beschädigungen zu verhindern.

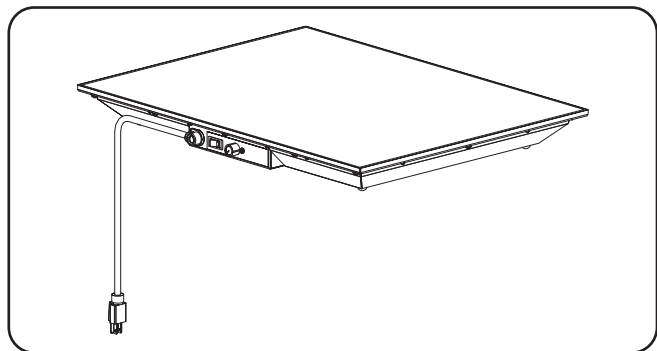
Die Wannen nicht über die Glasfläche schieben, keine Wannen mit rauher Unterseite benutzen oder Gegenstände auf die Glasfläche fallen lassen. Es können Kratzer oder Glasbruch auftreten. Durch Missbrauch verursachte Schäden an der Glasfläche oder Glasbruch sind nicht von der Garantie gedeckt.

Alle Modelle

Alle beheizten, schwarzen Glasregale von Hatco eignen sich ideal für Durchreichen, Selbstbedienungsbuffets und zur Vorspeisenpräsentation. Die von der National Sanitation Foundation (NSF) erteilte Genehmigung gestattet es, Speiseprodukte auf Wunsch direkt auf die Glasfläche zu stellen. Zur Standardausrüstung gehören ein beleuchteter Netzschalter ON/OFF, eine thermostatsgeregelte, beheizte Keramikglasplatte und ein lackierter Stahlsockel. Die beheizten, schwarzen Glasregale von Hatco weisen einen Temperaturbereich von 38 ° bis 93 °C (100 ° bis 200 °F) auf.

HBG-Modelle

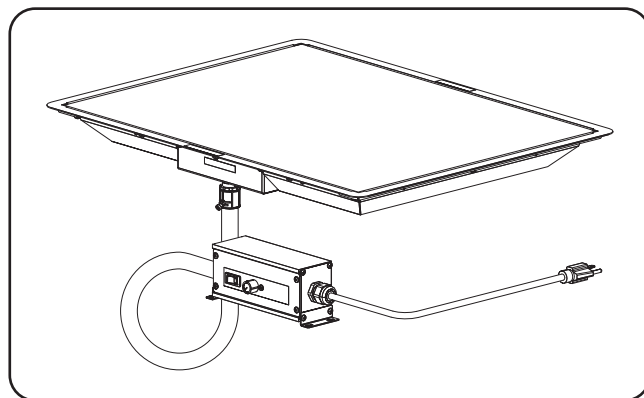
Das beheizte, schwarze HBG-Glasregal ist ein tragbares Regal mit einem daran angebrachten 1829 mm (6') langen Kabel und Stecker. Das tragbare Regal ist in sechs Ausführungen erhältlich: HBG-2418, HBG-3018, HBG-3618, HBG-4818, HBG-6018 und HBG-7218.



Modell HBG

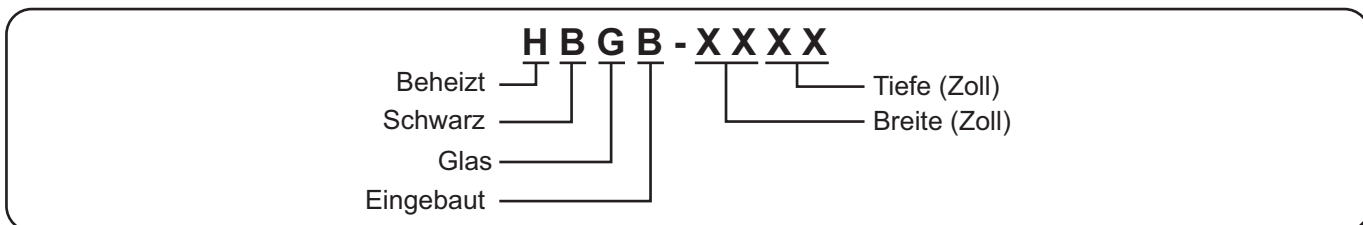
HBGB-Modelle

Das beheizte, schwarze HBGB-Glasregal ist ein mit einem daran angebrachten Zier-Montagering ausgestattetes Einbaugerät. Im Lieferumfang des Geräts ist eine Fernbedienung enthalten, die mit einem 914 mm (3') langen Kabelkanal angeschlossen wird. Über ein 1829 mm (6') langes Kabel mit Stecker wird die Fernbedienung am Netz angeschlossen. Die Einbauregale sind in sechs Ausführungen erhältlich: HBGB-2418, HBGB-3018, HBGB-3618, HBGB-4818, HBGB-6018 und HBGB-7218.



Modell HBGB

MODELLBEZEICHNUNG



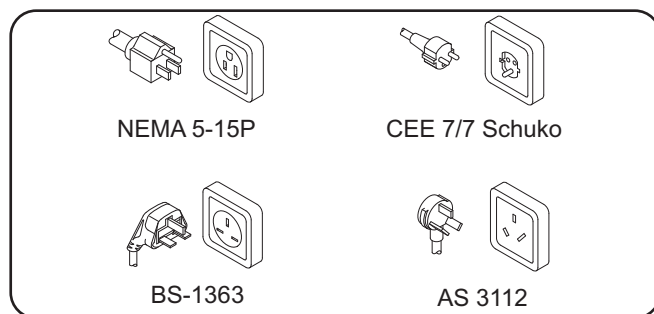
TECHNISCHE DATEN

Steckerkonfigurationen

Geräte werden werkseitig mit einem Netzkabel mit angebrachtem Stecker ausgerüstet. Die gelieferten Stecker entsprechen der jeweiligen Anwendung.

⚠️ WARNUNG

GEFAHR VON ELEKTROSTÖCKEN: Das Gerät muss an eine ordnungsgemäß geerdete Steckdose mit der richtigen Spannung, Größe und Steckerkonfiguration angeschlossen werden. Wenn Stecker und Steckdose nicht übereinstimmen, wenden Sie sich an einen qualifizierten Elektriker, um die richtige Netzspannung und Steckerart zu ermitteln und die korrekte Steckdose zu installieren.



Steckerkonfigurationen

ANMERKUNG: Die Steckdose wird nicht von Hatco bereitgestellt.

Tabelle Der Elektrischen Anschlüsse — Modelle HBG

Modell	Spannung	Watts	Ampere	Steckerkonfiguration	Versandgewicht
HBG-2418	100	425	4.3	NEMA 5-15P	10 kg (22 lbs.)
	220–230 (CE)	420–459	1.9–2.0	CEE 7/7 Schuko	10 kg (22 lbs.)
	230–240 (CE)	459–500	2.0–2.1	BS-1363 oder AS 3112 *	10 kg (22 lbs.)
HBG-3018	100	525	5.3	NEMA 5-15P	12 kg (27 lbs.)
	220–230 (CE)	525–574	2.4–2.5	CEE 7/7 Schuko	12 kg (27 lbs.)
	230–240 (CE)	574–625	2.5–2.6	BS-1363 oder AS 3112 *	12 kg (27 lbs.)
HBG-3618	100	630	6.3	NEMA 5-15P	15 kg (32 lbs.)
	220–230 (CE)	630–689	2.9–3.0	CEE 7/7 Schuko	15 kg (32 lbs.)
	230–240 (CE)	689–750	3.0–3.1	BS-1363 oder AS 3112 *	15 kg (32 lbs.)
HBG-4818	100	850	8.5	NEMA 5-15P	20 kg (44 lbs.)
	220–230 (CE)	840–918	3.8–4.0	CEE 7/7 Schuko	20 kg (44 lbs.)
	230–240 (CE)	918–1000	4.0–4.2	BS-1363 oder AS 3112 *	20 kg (44 lbs.)
HBG-6018	100	1050	10.5	NEMA 5-15P	25 kg (54 lbs.)
	220–230 (CE)	1050–1148	4.8–5.0	CEE 7/7 Schuko	25 kg (54 lbs.)
	230–240 (CE)	1148–1250	5.0–5.2	BS-1363 oder AS 3112 *	25 kg (54 lbs.)
HBG-7218	100	1260	12.6	NEMA 5-15P	29 kg (64 lbs.)
	220–230 (CE)	1260–1378	5.7–6.0	CEE 7/7 Schuko	29 kg (64 lbs.)
	230–240 (CE)	1378–1500	6.0–6.3	BS-1363 oder AS 3112 *	29 kg (64 lbs.)

Tabelle Der Elektrischen Anschlüsse — Modelle HBGB

Modell	Spannung	Watts	Ampere	Steckerkonfiguration	Versandgewicht
HBGB-2418	100	425	4.3	NEMA 5-15P	12 kg (27 lbs.)
	220–230 (CE)	420–459	1.9–2.0	CEE 7/7 Schuko	12 kg (27 lbs.)
	230–240 (CE)	459–500	2.0–2.1	BS-1363 oder AS 3112 *	12 kg (27 lbs.)
HBGB-3018	100	525	5.3	NEMA 5-15P	15 kg (32 lbs.)
	220–230	1050–1147	4.8–5.0	CEE 7/7 Schuko	15 kg (32 lbs.)
	220–230 (CE)	525–574	2.4–2.5	CEE 7/7 Schuko	15 kg (32 lbs.)
	230–240	1147–1249	5.0–5.2	CEE 7/7 Schuko	15 kg (32 lbs.)
	230–240 (CE)	574–625	2.5–2.6	BS-1363 oder AS 3112 *	15 kg (32 lbs.)
HBGB-3618	100	630	6.3	NEMA 5-15P	17 kg (37 lbs.)
	220–230 (CE)	630–689	2.9–3.0	CEE 7/7 Schuko	17 kg (37 lbs.)
	230–240 (CE)	689–750	3.0–3.1	BS-1363 oder AS 3112 *	17 kg (37 lbs.)
HBGB-4818	100	850	8.5	NEMA 5-15P	25 kg (54 lbs.)
	220–230 (CE)	840–918	3.8–4.0	CEE 7/7 Schuko	25 kg (54 lbs.)
	230–240 (CE)	918–1000	4.0–4.2	BS-1363 oder AS 3112 *	25 kg (54 lbs.)
HBGB-6018	100	1050	10.5	NEMA 5-15P	29 kg (64 lbs.)
	220–230 (CE)	1050–1148	4.8–5.0	CEE 7/7 Schuko	29 kg (64 lbs.)
	230–240 (CE)	1148–1250	5.0–5.2	BS-1363 oder AS 3112 *	29 kg (64 lbs.)
HBGB-7218	100	1260	12.6	NEMA 5-15P	34 kg (74 lbs.)
	220–230 (CE)	1260–1378	5.7–6.0	CEE 7/7 Schuko	34 kg (74 lbs.)
	230–240 (CE)	1378–1500	6.0–6.3	BS-1363 oder AS 3112 *	34 kg (74 lbs.)

* Stecker AS3112 nur zum Gebrauch in Australien.

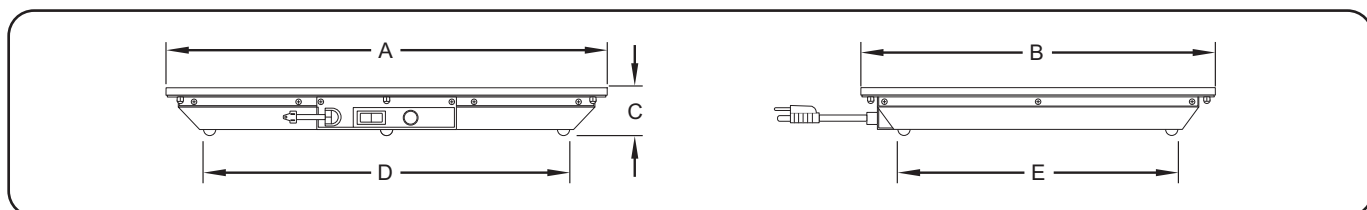
ANMERKUNG : Das Versandgewicht ist einschließlich Verpackung angegeben.

Abmessungen — Modelle HBG

Modell	Breite (A)	Tiefe (B)	Höhe (C)	Breite zwischen Füßen (D)	Tiefe zwischen Füßen (E)
HBG-2418	618 mm (24-3/8")	466 mm (18-3/8")	61 mm (2-7/16")	501 mm (19-3/4")	349 mm (13-3/4")
HBG-3018	771 mm (30-3/8")	466 mm (18-3/8")	61 mm (2-7/16")	654 mm (25-3/4")	349 mm (13-3/4")
HBG-3618	923 mm (36-3/8")	466 mm (18-3/8")	61 mm (2-7/16")	806 mm (31-3/4")	349 mm (13-3/4")
HBG-4818 †	1228 mm (48-3/8")	466 mm (18-3/8")	155 mm (6-1/8")	1086 mm (42-3/4")	324 mm (12-3/4")
HBG-6018 †	1533 mm (60-3/8")	466 mm (18-3/8")	155 mm (6-1/8")	1390 mm (54-3/4")	324 mm (12-3/4")
HBG-7218 †	1838 mm (72-3/8")	466 mm (18-3/8")	155 mm (6-1/8")	1695 mm (66-3/4")	324 mm (12-3/4")

† Höhe einschl. 102 mm (4") langer Standbeine.

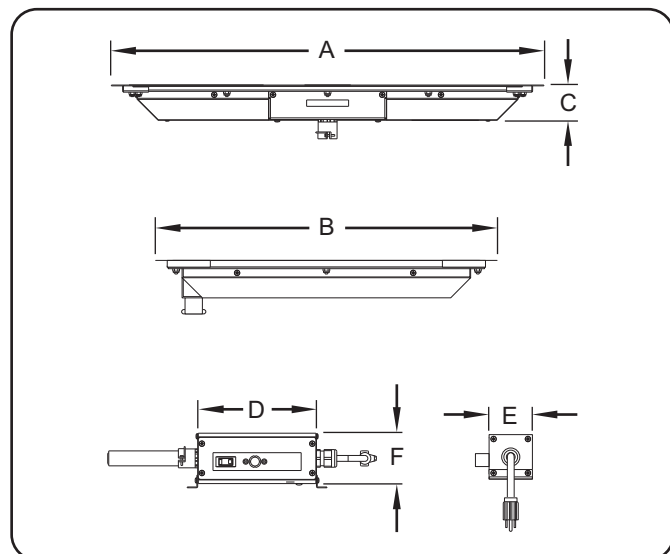
ANMERKUNG: Das Datenschild befindet sich unten auf den Gerät. Auf diesem Schild sind die Seriennummer und die elektrischen Daten des Systems angegeben.



Abmessungen – Modelle HBG

Abmessungen — Modelle HBGB

Modell	Breite (A)	Tiefe (B)	Höhe (C)
HBGB-2418	651 mm (25-5/8")	498 mm (19-5/8")	55 mm (2-3/16")
HBGB-3018	803 mm (31-5/8")	498 mm (19-5/8")	55 mm (2-3/16")
HBGB-3618	955 mm (37-5/8")	498 mm (19-5/8")	55 mm (2-3/16")
HBGB-4818	1260 mm (49-5/8")	498 mm (19-5/8")	55 mm (2-3/16")
HBGB-6018	1565 mm (61-5/8")	498 mm (19-5/8")	55 mm (2-3/16")
HBGB-7218	1870 mm (73-5/8")	498 mm (19-5/8")	55 mm (2-3/16")



Abmessungen – Modelle HBGB

	Breite (A)	Tiefe (B)	Höhe (C)
Fernbedienung	178 mm (7")	64 mm (2-1/2")	76 mm (3")

Allgemeines

Gehen Sie bei Installation bzw. Einbau der Geräte HBG und HBGB wie folgt vor.

⚠️ WARNUNG

GEFAHR VON ELEKTROSCHOCKS: Das Gerät ist nicht witterungsfest. Stellen Sie das Gerät in einem Raum an einer Stelle auf, an der die Umgebungstemperatur mindestens 21 °C beträgt.

BRANDGEFAHR: Stellen Sie das Gerät mit mindestens 25 mm Abstand zu entflammenden Wänden oder Materialien auf. Wenn dieser Sicherheitsabstand nicht eingehalten wird, können Verfärbungen entstehen und brennbare Stoffe können sich entzünden.

⚠️ VORSICHT

Stellen Sie das Gerät unter Einhaltung der richtigen Thekenhöhe an einer geeigneten Stelle auf. Der Aufstellungsort sollte eben sein, um versehentliches Umkippen des Geräts bzw. Herausfallen des Inhalts zu verhindern, und standfest genug, um das Gewicht von Gerät und Speisen zu tragen.

HINWEIS

Legen Sie das Gerät nicht auf die Seite mit dem Bedienfeld, um Beschädigungen zu verhindern.

Modelle HBG

1. Nehmen Sie das Gerät aus dem Versandbehälter.
2. Entfernen Sie Klebeband und Schutzfolien von allen Oberflächen des Geräts.

ANMERKUNG: Wenn 102 mm (4") lange Standbeine benötigt werden, die Installationsanleitung im Abschnitt OPTIONEN UND ZUBEHÖR des vorliegenden Handbuchs beachten. Modellen mit einer Breite von über 1041 mm (36") liegen 102-mm-Standbeine bei.

3. Stellen Sie das Gerät am gewünschten Ort auf.
 - Das Gerät in einem Bereich mit konstanter Umgebungslufttemperatur (mindestens 21 °C [70 °F]) anbringen. Bereiche, die aktiven Luftbewegungen oder -strömen ausgesetzt sind (z. B. in der Nähe von Gebläsen/Lüftern und Klimatisierungsrohren) sind zu meiden.
 - Wählen Sie einen Ort mit der richtigen Thekenhöhe und bequemem Zugang.
 - Stellen Sie sicher, dass der Aufstellungsort eben und standfest genug ist, um das Gewicht von Gerät und Speisen zu tragen.
 - Achten Sie darauf, dass alle Füße an der Unterseite des Geräts fest auf der Theke stehen.
4. Alle im Lieferumfang des Geräts enthaltenen Zubehörteile installieren. Für Details siehe der Abschnitt OPTIONEN UND ZUBEHÖR.

Modelle HBGB

⚠️ VORSICHT

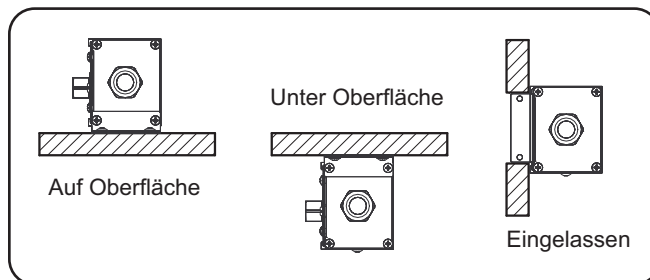
In den USA schreibt die National Sanitation Foundation (NSF) vor, dass Geräte mit einer Breite von mehr als 914 mm (36 Zoll) oder mit einem Gewicht von mehr als 36 kg (80 lb) versiegelt oder von der Aufstellfläche abgehoben werden müssen. Wenn dieses Gerät am Einsatzort nicht versiegelt werden kann, müssen die mitgelieferten 102 mm (4 Zoll) Füße benutzt werden, damit die Fläche unter dem Gerät korrekt gereinigt werden kann.

Eingebaute Geräte sind zum Gebrauch in Metall-Arbeitsflächen vorgesehen. Schäden in nicht aus Metall bestehenden Arbeitsflächen sind von der Hatco-Garantie nicht gedeckt.

HINWEIS

Eingebaute Geräte sind zum Gebrauch in Metall-Arbeitsflächen vorgesehen. Schäden in nicht aus Metall bestehenden Arbeitsflächen sind von der Hatco-Garantie nicht gedeckt.

1. Nehmen Sie das Gerät aus dem Versandbehälter.
2. Entfernen Sie Klebeband und Schutzfolien von allen Oberflächen des Geräts.
3. Den Ausschnitt in der Arbeitsfläche vorbereiten. Die empfohlenen Abmessungen des Arbeitsflächenausschnitts sind der Tabelle „Arbeitsflächenausschnitt“ in diesem Abschnitt zu entnehmen.
4. Einen Streifen Dichtmittel (mit NSF-Zulassung) entlang der oberen Kante des Arbeitsflächenausschnitts und der Unterseite des Zier-Montagerings auftragen. Das Dichtmittel muss für den Gebrauch bei einer Mindesttemperatur von 121 °C (250 °F) ausgelegt sein.
5. Das Gerät in den Ausschnitt in der Arbeitsfläche einsetzen.
6. Überschüssiges Dichtmittel abwischen.
7. Die Fernbedienung in einem leicht und bequem zugänglichen Bereich befestigen. Die Endhalterungen bei Bedarf von der Fernbedienung abnehmen, drehen und wieder anbringen.
 - Die Fernbedienung kann auf einer Oberfläche, unter einer Oberfläche oder in eine Oberfläche eingelassen montiert werden. Bei der Einlassmontage wird für die Fernbedienung ein Montageausschnitt von 7-1/4" B x 3-1/4" H (184 x 83 mm) benötigt.



Fernbedienungs-Montageoptionen

- Der Abstand, in dem die Fernbedienung vom Gerät montiert werden kann, richtet sich nach dem 914 mm (3') langen Kabelkanal. Zum Verlängern dieses Abstands nicht fest am Kabelkanal ziehen. Der Kabelkanal sollte nach dem Befestigen der Fernbedienung etwas durchhängen.

HINWEIS

Keine Veränderungen an den Drahtleitungen vornehmen und den Thermostat-Kapillardraht an der Bedieneinheit nicht abschneiden, um den Abstand zu vergrößern, in dem die Halbfernbedienung angebracht wird. Ein Abschneiden des Thermostat-Kapillardrahts bewirkt ein Überhitzen und eventuell eine Beschädigung des Geräts wie auch der dieses umgebenden Arbeitsfläche.

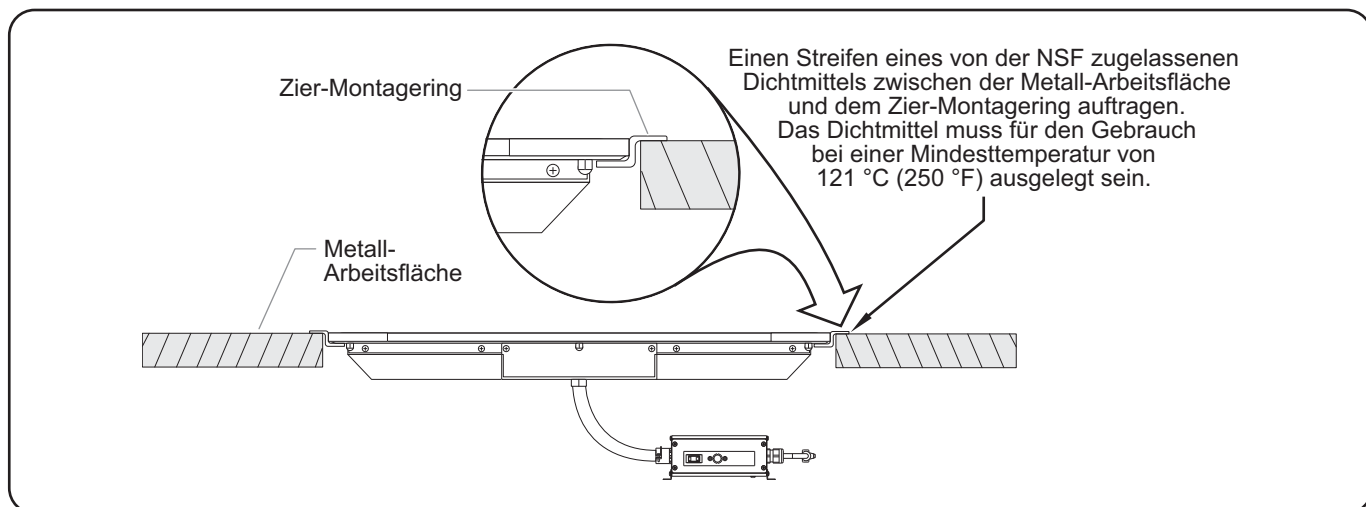
ANMERKUNG: Die Fernbedienung sollte mit Schrauben mit einem Mindestkopfdurchmesser von 1/4" (6 mm) montiert werden, die durch die Schlüssellöcher in den Halterungen eingesetzt werden. Die Fernbedienung muss jederzeit abmontiert werden können, d. h. sie darf nicht permanent installiert werden.

8. Nach dem sicheren Anbringen aller Komponenten zum Abschnitt **BEDIENUNG** übergehen.

ANMERKUNG: Diesem Gerät liegt ein 1829 mm (6') langes Kabel bei. Unbenötigte Kabellängen sollten sauber verlegt werden, damit das Kabel nicht herunterhängt.

Ausschnitttabelle der HBGB-Arbeitsplatte

Modell	Breite	Tiefe
HBGB-2418	625 mm (24-5/8") – 632 mm (24-7/8")	473 mm (18-5/8") – 480 mm (18-7/8")
HBGB-3018	778 mm (30-5/8") – 784 mm (30-7/8")	473 mm (18-5/8") – 480 mm (18-7/8")
HBGB-3618	930 mm (36-5/8") – 937 mm (36-7/8")	473 mm (18-5/8") – 480 mm (18-7/8")
HBGB-4818	1235 mm (48-5/8") – 1241 mm (48-7/8")	473 mm (18-5/8") – 480 mm (18-7/8")
HBGB-6018	1540 mm (60-5/8") – 1546 mm (60-7/8")	473 mm (18-5/8") – 480 mm (18-7/8")
HBGB-7218	1845 mm (72-5/8") – 1851 mm (72-7/8")	473 mm (18-5/8") – 480 mm (18-7/8")



Arbeitsflächenmontage – HBGB

Allgemeines

Zum Einschalten und Betrieb der HBG- und HBGB-Modelle das folgende Verfahren anwenden.



Lesen Sie alle Sicherheitshinweise im Abschnitt **WICHTIGE SICHERHEITSHINWEISE**, bevor Sie das Gerät verwenden.



Nur Wischtücher, Reinigungspolster und Reinigungsmittel verwenden, die eigens für das Reinigen von Keramikglasflächen entwickelt wurden. Beim Gebrauch anderer Wischtücher, Reinigungspolster und Reinigungsmittel kann die Keramikglasfläche beschädigt werden.

Das Gerät erst nach einer gründlichen Reinigung einschalten. Keramikglasoberflächen dürfen keine Verunreinigungen aufweisen, die einbrennen könnten.

Die Wannen nicht über die Glasfläche schieben, keine Wannen mit rauher Unterseite benutzen oder Gegenstände auf die Glasfläche fallen lassen. Es können Kratzer oder Glasbruch auftreten. Durch Missbrauch verursachte Schäden an der Glasfläche oder Glasbruch sind nicht von der Garantie gedeckt.

1. Die Glasoberfläche des Geräts mit einem geeigneten Reinigungswischtuch oder einem sonstigen feuchten Tuch säubern. Ein konsequentes tägliches Reinigen vereinfacht die Reinigungsaufgabe und schützt und erhält die Glasoberfläche des Geräts.

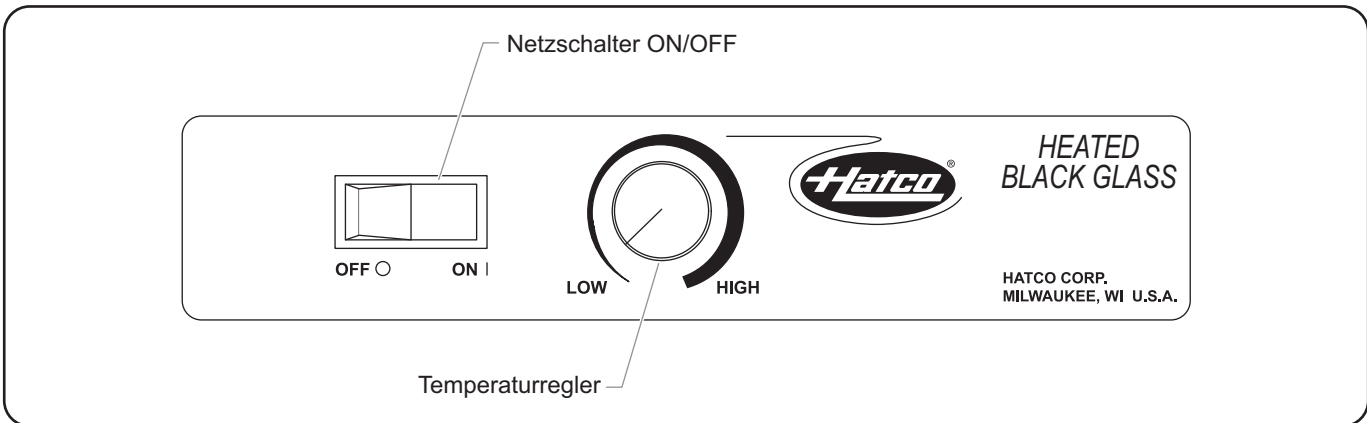
2. Das Gerät muss an eine geerdete Steckdose mit korrekter Spannungsversorgung und passender Ausführung angeschlossen werden. Details sind unter **TECHNISCHE DATEN** zu finden.
3. Den Netzschalter ON/OFF einschalten (ON)



VERBRENNUNGSGEFAHR: Einige Außenflächen des Geräts werden heiß. Beim Berühren dieser Flächen Vorsicht walten lassen.

4. Den Temperaturregler auf die gewünschte Temperatur einstellen.
5. 30 Minuten warten, bis das Gerät seine Betriebstemperatur erreicht hat. Die beheizten, schwarzen Glasregale von Hatco weisen einen Temperaturbereich von 38 ° bis 93 °C (100 °bis 200 °F) auf.

*ANMERKUNG: Hinweise zu Installation und Betrieb von HBGB-Modellen, die mit einem bündig abschließenden Fernbedienfeld ausgerüstet sind, sind dem Abschnitt **OPTIONEN UND ZUBEHÖR** zu entnehmen.*



Standard-Bedienfeld

Allgemeines

Die beheizten, schwarzen Glasregale von Hatco sind bei minimalem Wartungsbedarf für lange Lebensdauer und maximale Leistung konstruiert.

WARNUNG

GEFAHR VON ELEKTROSCHOCKS:

- Ziehen Sie den Stecker des Toasters aus der Steckdose und lassen Sie das Gerät abkühlen, bevor Sie Wartungs- oder Reinigungsarbeiten durchführen oder versuchen, eine verklemmte Toastscheibe zu lösen.
- Tauchen Sie das Gerät NICHT in Wasser und reinigen Sie das Gerät NICHT mit übermäßig viel Wasser. Das Gerät ist nicht wasserdicht. Es darf nicht betrieben werden, wenn es in Wasser getaucht oder mit übermäßig viel Wasser gereinigt wurde.
- Dieses Gerät ist nicht für direktes Absprühen mit einem Wasserstrahl geeignet. Es darf nicht mit einem Sprühstrahl gereinigt werden.

Falls eine Reparatur dieses Geräts erforderlich sein sollte, wenden Sie sich an Ihren autorisierten Hatco Servicebetrieb oder an die Hatco Serviceabteilung unter +1-414-671-6350 (Telefon) oder +1-414-671-3976 (Fax).

HINWEIS

Nur Wischtücher, Reinigungspolster und Reinigungsmittel verwenden, die eigens für das Reinigen von Keramikglasflächen entwickelt wurden. Beim Gebrauch anderer Wischtücher, Reinigungspolster und Reinigungsmittel kann die Keramikglasfläche beschädigt werden.

Das Gerät erst nach einer gründlichen Reinigung einschalten. Keramikglasoberflächen dürfen keine Verunreinigungen aufweisen, die einbrennen könnten.

Tägliche Reinigung

Ein konsequentes tägliches Reinigen vereinfacht die Reinigungsaufgabe und schützt und erhält die Glasoberfläche. Nur Wischtücher, Reinigungspolster und Reinigungsmittel verwenden, die eigens für das Reinigen von Keramikglasflächen entwickelt wurden.

1. Vor dem täglichen Einschalten des Geräts die Glasoberfläche mit einem geeigneten Wischtuch oder einem sonstigen feuchten Tuch reinigen. 2. Am Ende eines jeden Tages wie folgt vorgehen:
 - a. Das Gerät ausschalten und abkühlen lassen.
 - b. Die Glasoberfläche mit einem geeigneten Wischtuch oder einem sonstigen feuchten Tuch reinigen. Falls eine intensivere Reinigung erforderlich ist, das Verfahren „Beseitigen eingebrannter Rückstände“ in diesem Abschnitt beachten.

Beseitigen Eingebrannter Rückstände

Zum Beseitigen eingebrannter Rückstände wird möglicherweise eine Keramikglasreiniger benötigt.

1. Das Gerät abkühlen lassen.
2. Ein paar Tropfen des Keramikglasreinigers auf dem Bereich mit den Rückständen verteilen.
3. Den Bereich mit den Rückständen mit einem geeigneten Reinigungstuch unter Ausübung des benötigten Drucks abwischen
4. Die bisherigen Schritte bei Bedarf wiederholen.
5. Nach Entfernung aller Rückstände die gesamte Glasfläche mit dem Keramikglasreiniger und Papierhandtüchern polieren.

Reinigen zuckerhaltiger/klebriger Verschüttungen

1. Das Gerät ausschalten.
2. Einen Topfhandschuh anziehen und die Verschüttung größtenteils mit Papierhandtüchern aufwischen.
3. Das Gerät abkühlen lassen.
4. Zum Beseitigen des verbleibenden verschütteten Materials das Verfahren „Beseitigen eingebrannter Rückstände“ in diesem Abschnitt durchführen.
5. Das Gerät erst wieder verwenden, wenn die Verschüttung vollständig beseitigt wurde.

VORSICHT

Verschüttete zuckerhaltige Substanzen können zu Lochfraß oder Einkerbungen in der Glasoberfläche führen. In diesen Fällen muss die Glasfläche ersetzt werden. Zur Vermeidung weiterer Schäden und potenzieller Verletzungen durch Glasscherben den Gebrauch des Geräts sofort einstellen und einen Hatco-Vertragshändler verständigen.

Beseitigen von Metallspuren und Kratzern

Von Töpfen herrührende Metallspuren und Kratzer lassen sich in der Regel beseitigen. Beim Abstellen von Töpfen auf der Glasoberfläche vorsichtig vorgehen. Um Metallspuren und Kratzer zu vermeiden, die Töpfe nicht auf der Glasfläche hin- und herschieben.

1. Das Gerät abkühlen lassen.
2. Ein paar Tropfen des Keramikglasreinigers auf dem markierten Bereich verteilen.
3. Den Bereich mit den Metallspuren mit einem geeigneten Reinigungstuch unter Ausübung des benötigten Drucks abwischen.
4. Die bisherigen Schritte wiederholen, wenn weiterhin Metallspuren und Kratzer verbleiben.

ANMERKUNG: Den Boden aller Töpfe auf raue Stellen überprüfen, die die Glasoberfläche verkratzen könnten.

ANMERKUNG: Schäden, die von Verschüttungen zuckerhaltiger/klebriger Substanzen oder rauen Topfböden verursacht werden, sind von der Garantie nicht gedeckt.

⚠️ WARNUNG

Reparaturen am das Gerät dürfen nur von qualifiziertem Personal durchgeführt werden. Von unqualifiziertem Personal durchgeführte Reparaturen können zu Elektroschocks oder Verbrennungen führen.

⚠️ WARNUNG

GEFAHR VON ELEKTROSCHOCKS: Das Netzkabel abziehen oder die Stromversorgung am Trennschalter/Unterbrecher **AUSSCHALTEN** und warten, bis das Gerät abgekühlt ist, bevor Wartungs- und Reinigungsarbeiten durchgeführt werden.

Symptom	Mögliche Ursache	Abhilfemassnahme
Gerät ist zu heiß.	Temperaturregler auf zu hohe Temperatur eingestellt.	Temperaturregler auf niedrigere Temperatur einstellen.
	Temperaturregler steckt in EIN-Position fest.	Wenden Sie sich an Ihren Hatco Händler vor Ort oder an den Kundendienst von Hatco.
	Gerät ist an eine inkorrekte Stromversorgung angeschlossen.	Mit qualifiziertem Personal überprüfen, dass die Stromversorgung den technischen Daten des Geräts entspricht.
Gerät ist nicht ausreichend heiß.	Temperaturregler auf zu niedrige Temperatur eingestellt.	Temperaturregler auf höhere Temperatur einstellen.
	Lage des Geräts ist Luftzug ausgesetzt (Klimaanlagenschächte oder Abzugshauben).	Luftzug blockieren oder Gerät umstellen.
Gerät funktioniert nicht.	Gerät ist nicht angeschlossen.	Gerät an die korrekte Stromversorgung anschließen.
	Gerät ist nicht eingeschaltet.	Netzschalter ON/OFF in die Position ON (Ein) stellen.
	Netzschalter ON/OFF ist defekt.	Wenden Sie sich an Ihren Hatco Händler vor Ort oder an den Kundendienst von Hatco.
	Heizelement ist ausgebrannt.	Wenden Sie sich an Ihren Hatco Händler vor Ort oder an den Kundendienst von Hatco.
	Defekter Temperaturregler.	Wenden Sie sich an Ihren Hatco Händler vor Ort oder an den Kundendienst von Hatco.

Haben Sie Fragen zur Störungsbeseitigung?

Wenn Sie weiterhin Probleme beim Beheben einer Störung haben, dann setzen Sie sich bitte mit einem autorisierten Hatco-Servicebetrieb in Ihrer Nähe oder mit Hatco in Verbindung. Um einen Servicebetrieb in Ihrer Nähe zu finden, können Sie die Hatco-Website unter www.hatcocorp.com besuchen und dort auf „Find Service Agent“ klicken. Sie können sich auch mit dem Ersatzteil- und Serviceteam von Hatco in Verbindung setzen. Sie erreichen dieses wie folgt:

Telefon: 414-671-6350

e-mail: partsandservice@hatcocorp.com

Fax: 414-671-3976

OPTIONEN UND ZUBEHÖR

Griffe (Modell HBG)

Für das HBG-Modell sind die folgenden Griffe erhältlich.

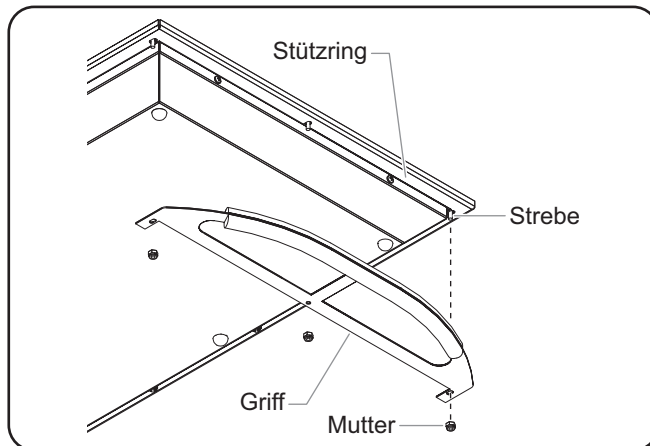
HANDLE-18-SS ...Runde Edelstahlgriffe Schwarze, spritzpulverbeschichtete, abgerundete

HANDLE-18-BLK ..Designer-Edelstahlgriffe Die Griffe können anhand des folgenden

Verfahrens vor Ort nachträglich eingebaut werden.

Dazu an beiden Enden des Geräts wie folgt vorgehen:

1. Die drei Schrauben an der Unterseite des Glasflächen-Stützrings entfernen.
2. Die drei Löcher am Griff mit den drei Streben am Stützring ausrichten und den Griff an den Streben anlegen.
3. Die drei Muttern auf die Streben aufdrehen und fest anziehen.



Einbau der Griffe

Fernbedienung (Modell HBGB)

Als werksinstallierte Option für das HBGB-Modell ist eine bündig zu montierende Fernbedienung erhältlich. Das Bedienfeld wie folgt am vorgesehenen Anbringungsort montieren.

⚠️ WARNUNG

GEFAHR VON ELEKTROSCHOCKS: Für den ordnungsgemäßen und sicheren Betrieb muss das Fernbedienfeld an einer senkrechten Wand installiert sein.

HINWEIS

Die Fernbedienung ist außerhalb der Heizzone anzubringen. Eine Anbringung der Fernbedienung innerhalb der Heizzone führt zu einem Überhitzen, Funktionsstörungen und dem Ausfall des Geräts.

Keine Veränderungen an den Drahtleitungen vornehmen und den Thermostat-Kapillardraht an der Bedieneinheit nicht abschneiden, um den Abstand zu vergrößern, in dem die Halbfernbedienung angebracht wird. Ein Abschneiden des Thermostat-Kapillardrahts bewirkt ein Überhitzen und eventuell eine Beschädigung des Geräts wie auch der dieses umgebenden Arbeitsfläche.

ANMERKUNG: Die Installation der Fernbedienung sollte von einem qualifizierten Elektriker vorgenommen werden.

1. Ausschnitt vorbereiten und Schraubenlöcher vorbohren.
2. Zierblende von der Bedienfeldeinheit entfernen.
3. Bedienfeld von hinten in die Öffnung einsetzen.
4. Bedienfeld mit Schrauben (nicht im Lieferumfang enthalten) an der Oberfläche befestigen.
5. Das Bedienfeld muss an eine ordnungsgemäß geerdete Steckdose mit der richtigen Spannung, Größe und Steckerkonfiguration angeschlossen werden. Einzelheiten dazu sind dem Abschnitt TECHNISCHE DATEN zu entnehmen.
6. Zierblende wieder anbringen.

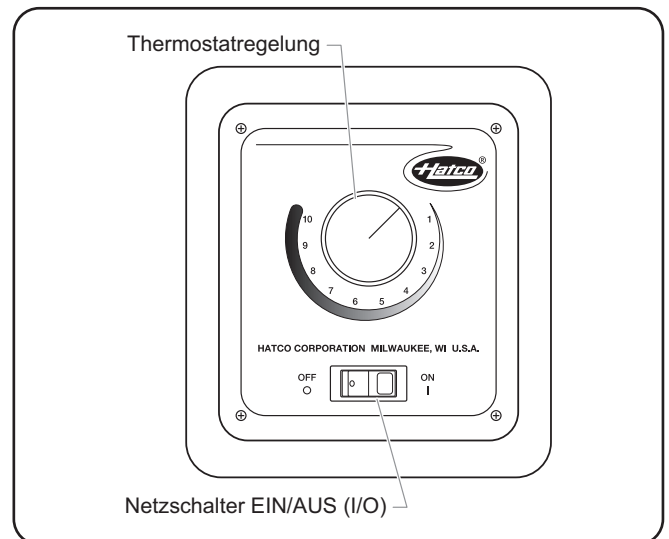
ANMERKUNG: Die Geräte sind mit einem 914 mm (3'), 1829 mm (6'), or 3048 mm (10') langen, flexiblen Kabelkanal zum Anschließen der Fernbedienung mit dem Gerät versehen.

Ein-/Aus-Schalter

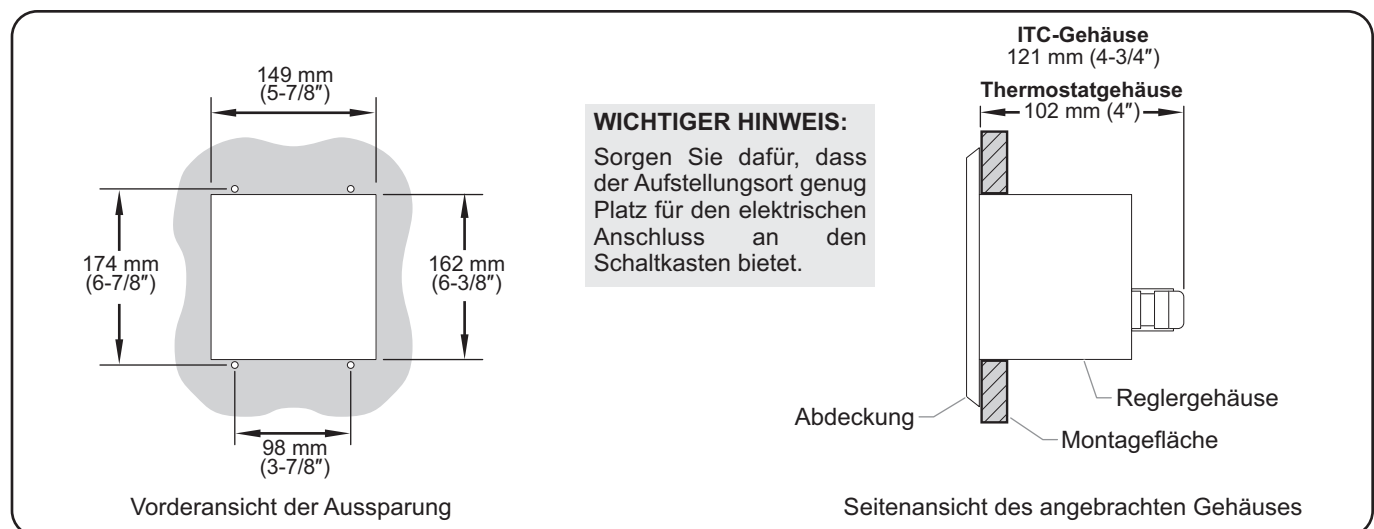
Beide separat angebrachten Reglergehäuse verfügen über einen Ein-/Aus-Schalter (I/O). Schalten Sie den EIN-/AUS-Schalter (I/O) auf EIN, um das Gerät einzuschalten. Wenn das Gerät eingeschaltet ist, leuchtet die Leuchtanzeige auf dem Schalter.

Anpassen des Thermostatreglers

Drehen Sie den Thermostatregler im Uhrzeigersinn, um den Solltemperaturwert zu erhöhen. Drehen Sie den Thermostatregler gegen den Uhrzeigersinn, um den Solltemperaturwert zu reduzieren.



Thermostatreglergehäuse



Abmessung des separat angebrachten Reglergehäuses

Ändern der Solltemperatur — Digitaler Temperaturregler

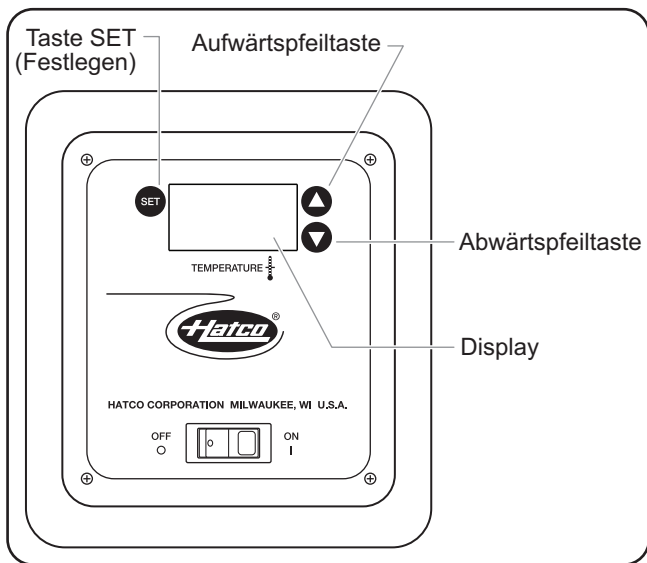
Geräte mit digitalem Temperaturregler heizen sich nach dem Einschalten automatisch bis zur Solltemperatur auf. Gehen Sie zur Änderung der Solltemperatur wie folgt vor.

ANMERKUNG : Die auf der Anzeige angezeigte Temperatur ist möglicherweise ungenau, wenn die Gerätetemperatur unter 54 °C (130 °F) liegt.

Wenn die Programmierung vor Fertigstellung des letzten Schrittes unterbrochen wird, werden die geänderten Werte nicht gespeichert.

1. Drücken Sie die **set** -Taste dreimal. Die aktuelle Solltemperatur wird auf der Anzeige TEMPERATUR angezeigt (nach dem zweiten Drücken wird „SP“ angezeigt).
2. Drücken Sie innerhalb von 10 Sekunden die **▲** - oder **▼** -Taste, um die Solltemperatur zu ändern.
3. Drücken Sie die **set** -Taste, um die neue Solltemperatur festzulegen. Die Anzeige TEMPERATUR bleibt für zwei Sekunden leer, um zu zeigen, dass die neue Einstellung übernommen wurde.

ANMERKUNG : Nach 10 Sekunden ohne Betätigung beim Programmieren beendet das Steuergerät den Programmiermodus automatisch, ohne Änderungen zu speichern.



Digitaler Temperaturregler

Ändern der Fahrenheit- und Celsiuseinstellung — Digitaler Temperaturregler

Gehen Sie zur Änderung zwischen Fahrenheit und Celsius auf der Anzeige wie folgt vor.

1. Drücken Sie die **set** -Taste einmal. Ein „F“ für Fahrenheit oder ein „C“ für Celsius wird angezeigt.
2. Drücken Sie innerhalb von 10 Sekunden die **▲** -Taste oder die **▼** -Taste, um zwischen „F“ (Fahrenheit) und „C“ (Celsius) zu wechseln.

3. Drücken Sie die **set** -Taste dreimal, um die Einstellung festzulegen. Die Anzeige TEMPERATUR bleibt für zwei Sekunden leer, um zu zeigen, dass die neue Einstellung übernommen wurde.

ANMERKUNG : Nach 10 Sekunden ohne Betätigung beim Programmieren beendet das Steuergerät den Programmiermodus automatisch, ohne Änderungen zu speichern.

Verstellbare 102-mm-Standbeine Zum (Modell HBG)

Einbauen der verstellbaren, 102 mm (4“) langen Standbeine an Stelle der GummifüÙe an einem HBG-Gerät das folgende Verfahren durchführen.

ANMERKUNG: Modellen mit einer Breite von über 1041 mm (36“) liegen 102-mm (4“) -Standbeine bei.

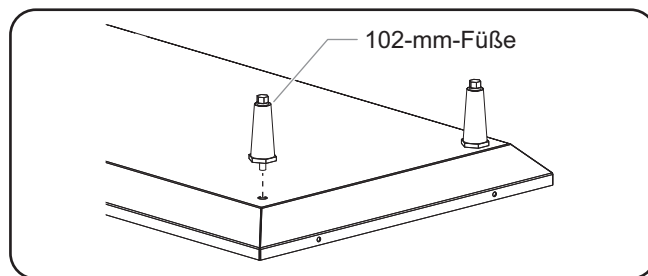
⚠️ WARNUNG

GEFAHR VON ELEKTROSCHOCKS: Den Netzschalter AUSSCHALTEN, das Netzkabel abziehen und das Gerät abkühlen lassen, bevor Wartungs- und Reinigungsarbeiten durchgeführt werden.

HINWEIS

Legen Sie das Gerät nicht auf die Seite mit dem Bedienfeld, um Beschädigungen zu verhindern.

1. Das Gerät ausschalten, das Netzkabel abziehen und das Gerät abkühlen lassen.
2. Das Gerät vorsichtig umdrehen und auf einer ebenen Fläche ablegen. Auf dieser Oberfläche eine Schutzschicht ausbreiten, um ein Verkratzen des Glases zu verhindern.
3. Entfernen Sie die Fußschraube und den GummifuÙ an jeder Ecke der Platte.



Installieren der 102-mm-FüÙe

4. Schrauben Sie an jeder Ecke der Platte einen 102-mm-Fuß durch die Unterseite der Platte.

HINWEIS : Die Auflagen der 102-mm-FüÙe sind zum Ausrichten des Geräts verstellbar. Wenn das Gerät an der vorgesehenen Stelle steht, verstellen Sie mit einem 16-mm-Gabelschlüssel die FüÙe solange, bis das Gerät waagrecht steht.

1. PRODUKTGARANTIE

Hatco gewährleistet, dass die von ihr hergestellten Produkte (die "Produkte") bei normalem Gebrauch und Einsatz für einen Zeitraum von einem (1) Jahr ab dem Kaufdatum keinerlei Materialfehler aufweisen werden, vorausgesetzt, dass sie gemäß der schriftlichen Anleitung von Hatco installiert und gewartet wurden, bzw. für einen Zeitraum von 18 Monaten ab dem Datum der Lieferung durch Hatco. Der Käufer muss das Kaufdatum des Produkts bestätigen, indem das Produkt bei Hatco registriert wird, oder durch andere Maßnahmen, die ausschließlich nach eigenem Ermessen von Hatco als zufrieden stellend angesehen werden.

Hatco garantiert, dass die folgende Produktteile ab dem Kaufdatum (gemäß den obigen Bedingungen) für folgenden Zeitabschnitte und unter folgenden Bedingungen frei von Materialfehlern sind:

a) Beschränkte Zweijahres-Garantie auf Teile:

Durchlaufoaster-Elemente (Metallmantel)
 Metall-ummantelte Wärme-Elemente der Lade
 Ladenrollen und -bahnen der Wärme-Lade
 Metall-ummantelte Speisewärmer-Elemente
 Metall-ummantelte Luft-Wärme-Elemente für Schaukästen
 Metall-ummantelte Luft-Wärme-Elemente für
 Aufbewahrungskästen
 Eingebaute, metallummantelte Heizschachtelemente —
 Serien HWB

b) Fünf (5) Jahre Garantie auf Teile:

3CS- und FR-Tanks

c) Zehn (10) Jahre Garantie auf Teile:

Elektrische Booster-Heiztanks
 Booster-Gasheiztanks

d) Neunzig (90) Tage Garantie auf Teile:

Ersatzteile

DIE OBIEN GARANTIEBEDINGUNGEN GELTEN ALLEIN UND AUSSCHLIESSLICHE ANSTELLE ALLER ANDEREN GARANTIEBEDINGUNGEN, AUSDRÜCKLICH ODER IMPLIZIT, INKLUSIVE, ABER NICHT DARAUF EINGESCHRÄNKT, JEDER IMPLIZIERTEN GARANTIE AUF VERWERTBARKEIT ODER EIGNUNG FÜR EINEN BESTIMMTEN ZWECK ODER PATENT ODER VERLETZUNG EINES ANDEREN RECHTS AUF GEISTIGES EIGENTUM. Ohne die Allgemeingültigkeit der obigen Bedingungen einzuschränken, GELTEN SOLCHE GARANTIEEN NICHT FÜR: Beschichtete Glühlampen, Leuchtstoffröhren, Leuchtenwärmer-Heizlampen, beschichtete Halogenleuchten, Halogenheizleuchten, Xenon-Lampen, LED-Röhren, Glaskomponenten und Sicherungen; Produktausfälle im Durchlauferhitzer-Tank, Lamellenwärmetauscher oder andere Wasserheizvorrichtungen, verursacht durch Verkalkung, Sedimentablagerung, chemischen Angriff oder Frieren, Produktmissbrauch, Manipulation oder falsche Anwendung, unsachgemäße Installation oder Anlegen einer falschen Stromspannung.

2. EINSCHRÄNKUNG DER ERSATZLEISTUNG UND DES SCHADENERSATZES

Die Haftung seitens Hatco und das ausschließliche Rechtsmittel des Käufers ist nach Ermessen von Hatco oder einer von Hatco autorisierten Serviceagentur nur der Ersatz des von der Garantie geschützten Teils oder Produktes, sofern die oben angeführten Garantiefristen eingehalten wurden. Hatco behält sich das Recht vor, Garantieansprüche zur Gänze oder teilweise abzulehnen. Im Sinne dieser beschränkten Garantie bezieht sich der Begriff „überholt“ auf ein Teil oder Produkt, dessen ursprüngliche technische Daten von Hatco oder einem von Hatco autorisierten Reparaturdienst wieder hergestellt wurden. Die Kosten jeder bewilligten Rücksendungen hat ausschließlich der Käufer zu tragen. UNTER KEINEN UMSTÄNDEN IST HATCO FÜR FOLGE- ODER WEITERE SCHÄDEN, INKLUSIVE, ABER NICHT DARAUF BESCHRÄNKT, KOSTEN DER ARBEITSZEIT ODER ENTGANGENER GEWINNE, WELCHE AUS DER VERWENDUNG ODER NICHT MÖGLICHEN VERWENDUNG DER PRODUKTE ODER DEM EINBAU ODER DEM EINSATZ ALS TEIL EINES ANDEREN PRODUKTS ODER WARE ENTSTEHEN, HAFTBAR.

HINWEISE ZUR GARANTIELEISTUNG

Für den Die beheizten, schwarzen Glasregale von Hatco gilt eine Garantie von einem Jahr ab dem Kaufdatum bzw. von 18 Monaten ab dem Datum des Versands durch Hatco, je nachdem, welcher Fall zuerst eintritt.

Falls während der Garantiezeit ein Mangel am beheizten Die beheizten, schwarzen Glasregale von Hatco festgestellt wird, gehen Sie folgendermaßen vor:

Setzen Sie sich mit Ihrem Hatco-Händler vor Ort in Verbindung

Bei der Kontaktaufnahme mit einem Hatco-Händler zur Anforderung von Kundendienstleistungen halten Sie bitte folgende Informationen bereit, um eine umgehende Bearbeitung zu gewährleisten:

- Modellbezeichnung des Geräts
- Seriennummer (unter dem Gerät)
- Beschreibung des am Geräts auftretenden Problems
- Kaufdatum
- Name Ihres Unternehmens
- Versandadresse
- Kontaktperson und Telefonnummer

Der Hatco-Händler Dealer wird:

- Nach Bedarf Ersatzteil(e) bereitstellen
- Den Garantieanspruch zur Bearbeitung an Hatco weiterleiten

Nicht-Garantie Probleme

Falls ein nicht von der Garantie gedecktes Problem auftritt, für das Unterstützung erforderlich ist, wenden Sie sich bitte an die nächste von Hatco autorisierte Serviceagentur.

Aufsuchen der nächsten Serviceagentur:

- Rufen Sie unsere Website unter www.hatcocorp.com auf, wählen Sie das Pull-down-Menü „Resources“ (Ressourcen) aus und klicken Sie auf „Find Service Agent/Distributor“ (Serviceagentur/Vertriebsgesellschaft suchen)
- Rufen Sie Hatco-Service unter der Rufnummer +1 414-671-6350 an
- Senden Sie eine E-Mail an Hatco Service: partsandservice@hatcocorp.com

Información Importante para el Propietario	28	Operación	35
Introducción	28	Generalidades.....	35
Información Importante de Seguridad	29	Mantenimiento	36
Descripción del Modelo	30	Generalidades.....	36
Todos Modelos.....	30	Limpieza diaria.....	36
Modelos HBG.....	30	Limpieza de residuos quemados.....	36
Modelos HBGB.....	30	Limpieza de derrames azucarados.....	36
Designación del Modelo	30	Limpieza de rayas y marcas metálicas.....	36
Especificaciones	30	Guía de Resolución de Problemas	37
Configuraciones del Enchufe.....	30	Opciones y Accesorios	37
Cuadro de Clasificación Eléctrica.....	31	Garantía Internacional Limitada	40
Dimensiones.....	32	Información del Servicio de Garantía	40
Instalación	33		
Generalidades.....	33		
Modelos HBG.....	33		
Modelos HBGB.....	33		

INFORMACIÓN IMPORTANTE PARA EL PROPIETARIO

Anote el número de modelo, número de serie (ubicado en la parte inferior de la unidad), voltaje y fecha de compra de su unidad en los espacios a continuación. Por favor, tenga esta información disponible cuando llame a Hatco para recibir asistencia técnica.

Modelo No. _____

Serie No. _____

Voltaje _____

Fecha de compra _____

¡No olvide registrar su aparato!

Registre la garantía en nuestro sitio web para evitar retrasos en la obtención de la cobertura de la garantía. Visite el sitio web de Hatco: www.hatcocorp.com, seleccione el menú desplegable "Piezas & Mantenimiento" (Parts & Service) y haga clic en "Registrar la Garantía" (Warranty Registration).

Horario de atención: 7:00 a.m. a 5:00 p.m.
 Horario de la zona central
 (Horario de verano: junio a septiembre
 7:00 a.m. a 5:00 p.m. horario de la zona central, lunes a jueves
 7:00 a.m. a 4:00 p.m. horario de la zona central, viernes)

Teléfono: 414-671-6350

Correo Electrónico: partsandservice@hatcocorp.com

Fax: 414-671-3976 (Piezas y servicio)

Puede encontrar información adicional si visita nuestro sitio Web en www.hatcocorp.com.



Desecho correcto de este producto

Esta marca indica que este producto y sus componentes electrónicos no deben desecharse con otros residuos comerciales. Para evitar posibles daños al medio ambiente o a la salud humana debido al desecho no controlado de residuos, recicle en forma responsable para promover el reuso sustentable de los recursos materiales. Para desechar este producto y sus componentes electrónicos, comuníquese con el proveedor en donde compró el producto para conocer las normas de reciclaje ambiental seguro.

INTRODUCCIÓN

Los estantes calentados de vidrio negro Hatco están diseñados para mantener los alimentos calientes de manera segura y a la vez fusionarse con la decoración del entorno. Mantienen los alimentos a las temperaturas apropiadas sin afectar la calidad. Estas unidades disponen de una base de vidrio calentada por control termostático que extiende el tiempo de mantenimiento de los alimentos.

Los estantes calentados de vidrio negro son el resultado de una investigación amplia y de verificaciones de campo. Los materiales utilizados se seleccionaron por su máxima durabilidad, apariencia atractiva y rendimiento óptimo. Cada unidad se inspecciona y prueba minuciosamente antes de salir al mercado.

Este manual proporciona las instrucciones de instalación, medidas de seguridad y funcionamiento para los Estantes calentados de vidrio negro. Hatco recomienda que se lean todas las instrucciones referentes a la instalación, el funcionamiento y la seguridad contenidas en este manual con anterioridad a la instalación u operación de la unidad.

La información de seguridad que aparece en este manual se identifica a través de los siguientes paneles con señales y palabras:

⚠ ADVERTENCIA

ADVERTENCIA indica una situación peligrosa que, en caso de no evitarse, puede resultar en lesiones graves e incluso la muerte.

⚠ ATENCIÓN

ATENCIÓN indica una situación peligrosa que, en caso de no evitarse, puede resultar en lesiones menores o moderadas.

AVISO

AVISO se usa para abordar prácticas que no están relacionadas con lesiones personales.



Lea la siguiente importante información de seguridad para evitar lesiones personales o la muerte, y para evitar daños al equipo o la propiedad.

ADVERTENCIA

PELIGRO DE DESCARGA ELÉCTRICA:

- Enchufe la unidad a un tomacorriente adecuadamente conectado a tierra del voltaje, tamaño y configuración del enchufe correctos. Si el enchufe y el tomacorriente no coinciden, comuníquese con un electricista calificado para determinar e instalar el voltaje y el tamaño de tomacorriente correctos.
- Apague la unidad, desenchufe el cable de alimentación y deje que la unidad se enfríe antes de realizar ninguna operación de limpieza o mantenimiento.
- NO sumerja ni sature la unidad con agua. La unidad no es impermeable. No opere la unidad si ésta se sumergió o saturó con agua.
- La unidad no es a prueba de intemperie. Coloque la unidad en interiores donde la temperatura del aire ambiente sea de un mínimo de 21° C (70° F).
- No limpie con vapor ni use agua en exceso en la unidad.
- Esta unidad no tiene una construcción “a prueba de chorros”. No use un pulverizador de limpieza a chorro para limpiar la unidad.
- No tire la unidad por el cable de alimentación.
- No use la unidad si el cable de alimentación está deshilachado o desgastado.
- No intente reparar ni reemplazar un cable de alimentación dañado. El cable deberá reemplazarlo Hatco, un agente de servicio Hatco autorizado o una persona con calificaciones similares.
- No limpie la unidad cuando esté energizada o caliente.
- Use sólo repuestos Hatco originales cuando se necesite realizar mantenimiento. En caso de no utilizarse repuestos Hatco originales, se anularán todas las garantías y se puede someter a los operadores del equipo a voltajes eléctricos peligrosos, dando como resultado descargas eléctricas o quemaduras. Los repuestos Hatco originales están especificados para operar en forma segura en los entornos en los que se usan. Los repuestos de mercado secundario o genéricos no cuentan con las características que les permiten operar en forma segura en los equipos Hatco.

RIESGO DE INCENDIO: Coloque la unidad a un mínimo de 25 mm de paredes y materiales que sean combustibles. Si no se mantienen las distancias seguras, podría provocarse combustión o decoloración.

Esta unidad no está destinada para el uso de niños o personas con capacidades físicas, sensoriales o mentales disminuidas. Asegure una vigilancia adecuada de los niños y manténgalos alejados de la unidad.

Asegure que se ha instruido a todos los operadores respecto a la seguridad y el uso apropiado de la unidad.

Esta unidad no tiene piezas a las que el usuario pueda realizar mantenimiento. Si necesita realizar mantenimiento en esta unidad, comuníquese con un agente de servicio autorizado de Hatco o con el Departamento de Servicio de Hatco al 414-671-6350; fax 414-671-3976.

ADVERTENCIA

Asegure que los productos alimenticios han sido calentados a la temperatura adecuada para la seguridad de los alimentos antes de colocarlos en la unidad. No calentar el producto alimenticio de forma correcta podría resultar en graves riesgos para la salud. Esta unidad es sólo de mantenimiento de productos alimenticios precalentados.

ATENCIÓN

PELIGRO DE QUEMADURAS: Algunas superficies exteriores de la unidad se calientan. Tenga precaución al tocar estas áreas.

Coloque la unidad a la altura correcta del mesón en un área que sea cómoda para su uso. La ubicación debe estar nivelada para evitar que la unidad o su contenido caigan accidentalmente y ser lo suficientemente firme para soportar el peso de la unidad y el contenido.

No operar modelos integrados sin que la caja de control esté montada correctamente como se describe en las instrucciones de instalación.

La National Sanitation Foundation (NSF) requiere que las unidades de más de 914 mm (36”) de anchura o con un peso superior a 36 kg (80 lbs.) estén selladas o elevadas por encima de la superficie de instalación. Se incluyen patas de 102 mm (4”) para permitir la limpieza adecuada debajo de la unidad en caso de que no se pueda sellar la unidad en el punto de uso.

Los derrames azucarados pueden producir picaduras o mellas en la superficie del vidrio. La superficie de vidrio se debe reemplazar si hay picaduras o mellas. Para prevenir daños adicionales y posibles heridas con vidrio roto, deje de utilizar inmediatamente la unidad y póngase en contacto con un agente de servicio autorizado de Hatco.

AVISO

Las unidades integradas están diseñadas para utilizar en mostradores metálicos. Los daños a mostradores de materiales no metálicos no están cubiertos por la garantía de Hatco.

No modificar el cableado o cortar el cable capilar del termostato en la caja de control para aumentar la distancia de montaje semiremoto. Cortar el cable capilar de termostato causará el sobrecalentamiento de la unidad lo que puede dañar tanto la unidad como el mostrador.

No encender la unidad hasta que se haya limpiado en profundidad. No debe haber residuos en la superficie de vidrio cerámico para evitar que se quemen.

No coloque la unidad sobre el lado del panel de control o podrían producirse daños en la unidad.

No deslice las bandejas sobre la superficie de vidrio, ni utilice bandejas con la parte inferior áspera ni deje que caiga nada en la superficie de vidrio. Se podría rayar o romper. Los daños a la superficie de vidrio o la rotura del vidrio a causa de uso indebido no están cubiertos bajo la garantía.

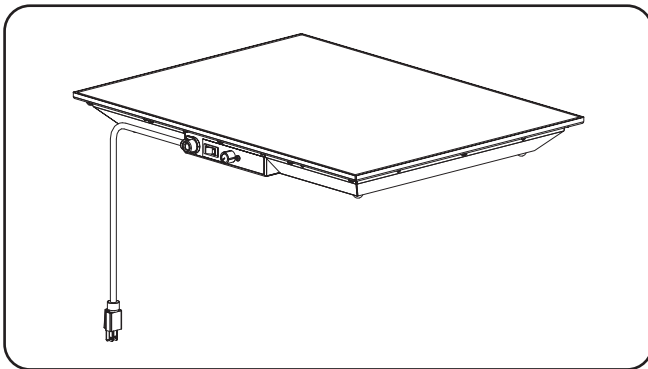
Utilizar sólo paños y limpiadores diseñados específicamente para limpiar superficies de vidrio cerámico. El uso de otro tipo de paños o limpiadores podría dañar la superficie de vidrio cerámico.

Todos los Modelos

Los estantes calentados de vidrio negro Hatco son ideales para áreas de paso, filas de buffet y como expositores de entremeses. La aprobación de la National Sanitation Foundation (NSF) permite la colocación de productos alimenticios directamente sobre la superficie de vidrio, si se desea. El equipo estándar incluye un interruptor iluminado de Encendido/Apagado, una parte superior de vidrio cerámico calentada por control termostático y una base de acero pintado. Los Estantes calentados de vidrio negro tienen un rango de temperatura de 38° a 93°C (100° a 200°F).

Modelos HBG

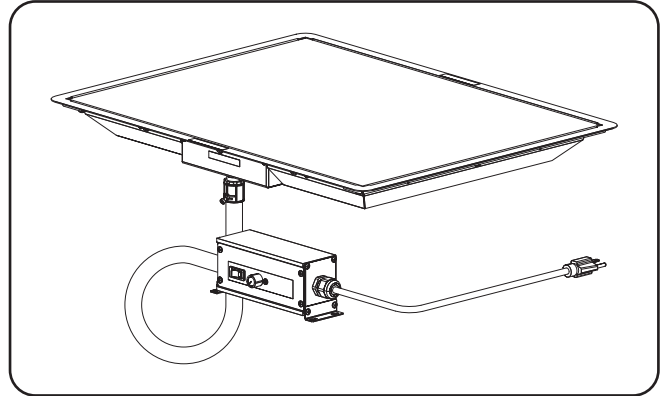
El estante HBG calentado de vidrio negro es un estante portátil con un cable de 1829 mm (6') y enchufe incorporado. La unidad portátil está disponible en seis modelos: HBG-2418, HBG-3018, HBG-3618, HBG-4818, HBG-6018 y HBG-7218.



Modelo HBG

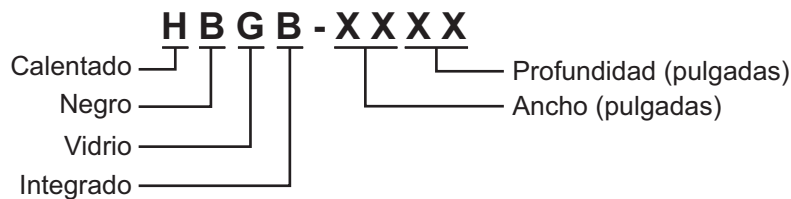
Modelos HBGB

El estante HBGB calentado de vidrio negro es una unidad integrada que está equipada con un anillo de ajuste de montaje. La unidad incluye una caja de control remoto que está conectada con un conducto de 914 mm (3'). Un cable de 1829 mm (6') con enchufe conecta la caja de control remoto a la fuente de alimentación. Las unidades integradas están disponibles en seis modelos: HBGB-2418, HBGB-3018, HBGB-3618, HBGB-4818, HBGB-6018 y HBGB-7218.



Modelo HBGB

DESIGNACIÓN DEL MODELO



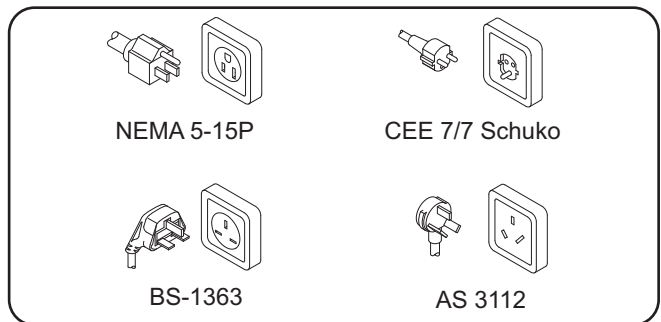
ESPECIFICACIONES

Configuraciones del Enchufe

Las unidades salen de fábrica con un cable eléctrico y un enchufe instalados. Los enchufes se suministran de acuerdo con las aplicaciones.

ADVERTENCIA

PELIGRO DE DESCARGA ELÉCTRICA: Enchufe la unidad a un tomacorriente adecuadamente conectado a tierra del voltaje, tamaño y configuración del enchufe correctos. Si el enchufe y el tomacorriente no coinciden, comuníquese con un electricista calificado para determinar e instalar el voltaje y el tamaño de tomacorriente correctos.



Configuraciones del Enchufe

NOTA: Hatco no proporciona el tomacorriente.

Cuadro de Clasificación Eléctrica — Modelos HBG

Modelo	Voltaje	Vatios	Amperios	Configuraciones del Enchufe	Peso de Envío
HBG-2418	100	425	4.3	NEMA 5-15P	10 kg (22 lbs.)
	220–230 (CE)	420–459	1.9–2.0	CEE 7/7 Schuko	10 kg (22 lbs.)
	230–240 (CE)	459–500	2.0–2.1	BS-1363 o AS 3112 *	10 kg (22 lbs.)
HBG-3018	100	525	5.3	NEMA 5-15P	12 kg (27 lbs.)
	220–230 (CE)	525–574	2.4–2.5	CEE 7/7 Schuko	12 kg (27 lbs.)
	230–240 (CE)	574–625	2.5–2.6	BS-1363 o AS 3112 *	12 kg (27 lbs.)
HBG-3618	100	630	6.3	NEMA 5-15P	15 kg (32 lbs.)
	220–230 (CE)	630–689	2.9–3.0	CEE 7/7 Schuko	15 kg (32 lbs.)
	230–240 (CE)	689–750	3.0–3.1	BS-1363 o AS 3112 *	15 kg (32 lbs.)
HBG-4818	100	850	8.5	NEMA 5-15P	20 kg (44 lbs.)
	220–230 (CE)	840–918	3.8–4.0	CEE 7/7 Schuko	20 kg (44 lbs.)
	230–240 (CE)	918–1000	4.0–4.2	BS-1363 o AS 3112 *	20 kg (44 lbs.)
HBG-6018	100	1050	10.5	NEMA 5-15P	25 kg (54 lbs.)
	220–230 (CE)	1050–1148	4.8–5.0	CEE 7/7 Schuko	25 kg (54 lbs.)
	230–240 (CE)	1148–1250	5.0–5.2	BS-1363 o AS 3112 *	25 kg (54 lbs.)
HBG-7218	100	1260	12.6	NEMA 5-15P	29 kg (64 lbs.)
	220–230 (CE)	1260–1378	5.7–6.0	CEE 7/7 Schuko	29 kg (64 lbs.)
	230–240 (CE)	1378–1500	6.0–6.3	BS-1363 o AS 3112 *	29 kg (64 lbs.)

Cuadro de Clasificación Eléctrica — Modelos HBGB

Modelo	Voltaje	Vatios	Amperios	Configuraciones del Enchufe	Peso de Envío
HBGB-2418	100	425	4.3	NEMA 5-15P	12 kg (27 lbs.)
	220–230 (CE)	420–459	1.9–2.0	CEE 7/7 Schuko	12 kg (27 lbs.)
	230–240 (CE)	459–500	2.0–2.1	BS-1363 o AS 3112 *	12 kg (27 lbs.)
HBGB-3018	100	525	5.3	NEMA 5-15P	15 kg (32 lbs.)
	220–230	1050–1147	4.8–5.0	CEE 7/7 Schuko	15 kg (32 lbs.)
	220–230 (CE)	525–574	2.4–2.5	CEE 7/7 Schuko	15 kg (32 lbs.)
	230–240	1147–1249	5.0–5.2	CEE 7/7 Schuko	15 kg (32 lbs.)
	230–240 (CE)	574–625	2.5–2.6	BS-1363 o AS 3112 *	15 kg (32 lbs.)
HBGB-3618	100	630	6.3	NEMA 5-15P	17 kg (37 lbs.)
	220–230 (CE)	630–689	2.9–3.0	CEE 7/7 Schuko	17 kg (37 lbs.)
	230–240 (CE)	689–750	3.0–3.1	BS-1363 o AS 3112 *	17 kg (37 lbs.)
HBGB-4818	100	850	8.5	NEMA 5-15P	25 kg (54 lbs.)
	220–230 (CE)	840–918	3.8–4.0	CEE 7/7 Schuko	25 kg (54 lbs.)
	230–240 (CE)	918–1000	4.0–4.2	BS-1363 o AS 3112 *	25 kg (54 lbs.)
HBGB-6018	100	1050	10.5	NEMA 5-15P	29 kg (64 lbs.)
	220–230 (CE)	1050–1148	4.8–5.0	CEE 7/7 Schuko	29 kg (64 lbs.)
	230–240 (CE)	1148–1250	5.0–5.2	BS-1363 o AS 3112 *	29 kg (64 lbs.)
HBGB-7218	100	1260	12.6	NEMA 5-15P	34 kg (74 lbs.)
	220–230 (CE)	1260–1378	5.7–6.0	CEE 7/7 Schuko	34 kg (74 lbs.)
	230–240 (CE)	1378–1500	6.0–6.3	BS-1363 o AS 3112 *	34 kg (74 lbs.)

* El enchufe AS3112 es para uso sólo en Australia.

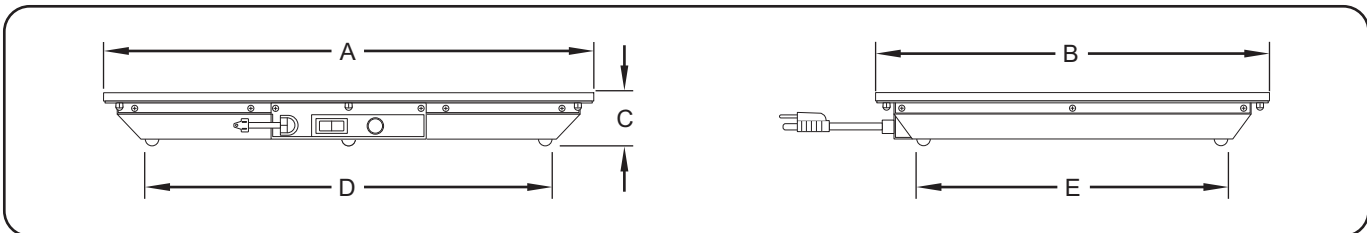
NOTA: El peso de envío incluye el material de embalaje.

Dimensiones — Modelos HBG

Modelo	Ancho (A)	Profundidad (B)	Altura (C)†	Ancho de las patas (D)	Profundidad de las patas (E)
HBG-2418	618 mm (24-3/8")	466 mm (18-3/8")	61 mm (2-7/16")	501 mm (19-3/4")	349 mm (13-3/4")
HBG-3018	771 mm (30-3/8")	466 mm (18-3/8")	61 mm (2-7/16")	654 mm (25-3/4")	349 mm (13-3/4")
HBG-3618	923 mm (36-3/8")	466 mm (18-3/8")	61 mm (2-7/16")	806 mm (31-3/4")	349 mm (13-3/4")
HBG-4818 †	1228 mm (48-3/8")	466 mm (18-3/8")	155 mm (6-1/8")	1086 mm (42-3/4")	324 mm (12-3/4")
HBG-6018 †	1533 mm (60-3/8")	466 mm (18-3/8")	155 mm (6-1/8")	1390 mm (54-3/4")	324 mm (12-3/4")
HBG-7218 †	1838 mm (72-3/8")	466 mm (18-3/8")	155 mm (6-1/8")	1695 mm (66-3/4")	324 mm (12-3/4")

NOTA: La etiqueta de especificación se encuentra en la parte inferior de la unidad. Vea la etiqueta para el número de serie y la verificación de la información eléctrica de la unidad.

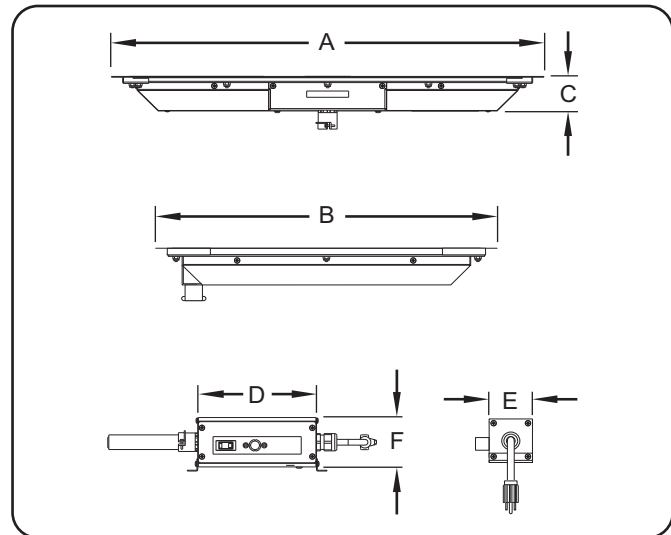
† La altura (C) incluye las patas de 102 mm (4").



HBG Dimensiones

Dimensiones — Modelos HBGB

Modelo	Ancho (A)	Profundidad (B)	Altura (C)
HBGB-2418	651 mm (25-5/8")	498 mm (19-5/8")	55 mm (2-3/16")
HBGB-3018	803 mm (31-5/8")	498 mm (19-5/8")	55 mm (2-3/16")
HBGB-3618	955 mm (37-5/8")	498 mm (19-5/8")	55 mm (2-3/16")
HBGB-4818	1260 mm (49-5/8")	498 mm (19-5/8")	55 mm (2-3/16")
HBGB-6018	1565 mm (61-5/8")	498 mm (19-5/8")	55 mm (2-3/16")
HBGB-7218	1870 mm (73-5/8")	498 mm (19-5/8")	55 mm (2-3/16")



HBGB Dimensiones

Caja Remota

Ancho (D)	Profundidad (E)	Altura (F)
178 mm (7")	64 mm (2-1/2")	76 mm (3")

Generalidades

Utilice los siguientes procedimientos para instalar las unidades HBG y HBGB.

⚠ ADVERTENCIA

PELIGRO DE DESCARGA ELÉCTRICA: La unidad no es a prueba de intemperie. Coloque la unidad en interiores donde la temperatura del aire ambiente sea de un mínimo de 21° C (70° F).

RIESGO DE INCENDIO: Coloque la unidad a un mínimo de 25 mm de paredes y materiales que sean combustibles. Si no se mantienen las distancias seguras, podría provocarse combustión o decoloración.

⚠ ATENCIÓN

Coloque la unidad a la altura correcta del mesón en un área que sea cómoda para su uso. La ubicación debe estar nivelada para evitar que la unidad o su contenido caigan accidentalmente y ser lo suficientemente firme para soportar el peso de la unidad y el contenido.

AVISO

No coloque la unidad sobre el lado del panel de control o podrían producirse daños en la unidad.

Modelos HBGB

1. Retire la unidad de la caja.
2. Quite la cinta y el material de embalaje de todas las superficies de la unidad.

NOTA: Si se requieren patas de 102 mm (4"), refiérase a la sección OPCIONES Y ACCESORIOS de este manual para instrucciones de instalación. Con los modelos de anchura superior a 1041 mm (36") se incluyen patas de 102 mm.

3. Coloque la unidad en la ubicación que desea.
 - Sitúe la unidad en un área donde la temperatura ambiental sea constante y como mínimo de 21°C (70°F). Evite áreas en las que se puedan dar movimientos o corrientes de aire (p.ej, cerca de extractores/ventiladores y de conductos de aire acondicionado).
 - Asegúrese de que la unidad está a la altura correcta del mesón en un área cómoda para su uso.
 - Asegúrese de que la superficie del mesón esté a nivel y sea lo suficientemente firme para soportar el peso de la unidad y los alimentos.
 - Asegúrese de que todas las patas de la parte inferior de la unidad se ubiquen en forma segura sobre la superficie del mesón.
4. Instale los accesorios que vienen con la unidad. Refiérase a la sección OPCIONES Y ACCESORIOS para más información.

Modelos HBGB

⚠ ATENCIÓN

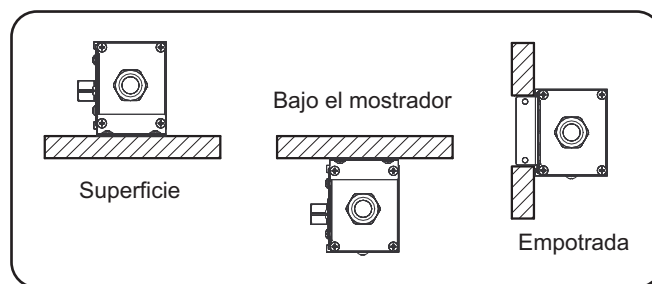
La National Sanitation Foundation (NSF) requiere que las unidades de más de 914 mm (36") de anchura o con un peso superior a 36 kg (80 lbs.) estén selladas o elevadas por encima de la superficie de instalación. Se incluyen patas de 102 mm (4") para permitir la limpieza adecuada debajo de la unidad en caso de que no se pueda sellar la unidad en el punto de uso.

No operar modelos integrados sin que la caja de control esté montada correctamente como se describe en las instrucciones de instalación.

AVISO

Las unidades integradas están diseñadas para utilizar en mostradores metálicos. Los daños a mostradores de materiales no metálicos no están cubiertos por la garantía de Hatco.

1. Retire la unidad de la caja.
2. Quite la cinta y el material de embalaje de todas las superficies de la unidad.
3. Prepare la apertura del mostrador. Refiérase al diagrama "Espacio del mostrador" en esta sección para las dimensiones recomendadas de espacio de mostrador.
4. Aplique una pequeña cantidad de un sellador aprobado por la NSF en el borde superior del espacio del mostrador y en el lado inferior del anillo de ajuste de montaje. El sellador debe estar clasificado para uso a una temperatura mínima de 121°C (250°F).
5. Coloque la unidad en el espacio del mostrador.
6. Quite cualquier exceso de sellador.
7. Ubique el ensamblaje de la caja de control remoto en un área conveniente para su uso. Si fuera necesario, quite los soportes terminales de la caja de control, gírelos y vuelva a colocarlos.
 - La caja de control remoto se puede montar en la superficie, bajo el mostrador o empotrada. Si se monta empotrada, la caja de control requiere un espacio de montaje de 7-1/4" de ancho x 3-1/4" de alto (184 x 83 mm).



Opciones de montaje de la caja de control remoto

- La distancia a la que se puede montar la caja de control remoto de la unidad está determinada por el conducto de 914 mm (3'). No estirar el conducto para incrementar la distancia del montaje. El conducto debe tener cierta holgura después de haberse montado la caja de control.

Continuación...

AVISO

No modificar el cableado o cortar el cable capilar del termostato en la caja de control para aumentar la distancia de montaje semiremoto. Cortar el cable capilar de termostato causará el sobrecalentamiento de la unidad lo que puede dañar tanto la unidad como el mostrador.

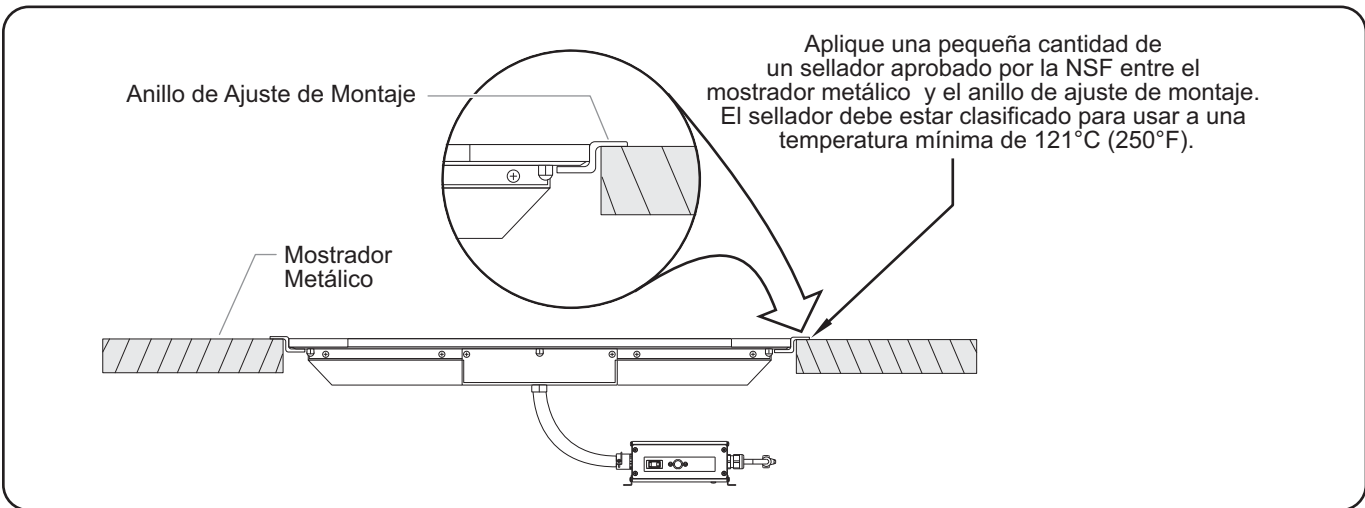
La caja de control remoto se debe montar con tornillos que tengan un diámetro de cabeza de 1/4" (6 mm) como mínimo insertados a través de los orificios que se encuentran en los soportes de montaje. La caja de control remoto debe estar lista para transportarse y no montada permanentemente.

8. Una vez instalados todos los componentes, proceda a la sección Funcionamiento.

NOTA: Se proporciona un cable de 1829 mm (6') con esta unidad; si hay un exceso de cable se deberá colocar de manera que no cuelgue.

Espacio de Mostrador

Modelo	Anchura	Profundidad
HBGB-2418	625 mm (24-5/8") – 632 mm (24-7/8")	473 mm (18-5/8") – 480 mm (18-7/8")
HBGB-3018	778 mm (30-5/8") – 784 mm (30-7/8")	473 mm (18-5/8") – 480 mm (18-7/8")
HBGB-3618	930 mm (36-5/8") – 937 mm (36-7/8")	473 mm (18-5/8") – 480 mm (18-7/8")
HBGB-4818	1235 mm (48-5/8") – 1241 mm (48-7/8")	473 mm (18-5/8") – 480 mm (18-7/8")
HBGB-6018	1540 mm (60-5/8") – 1546 mm (60-7/8")	473 mm (18-5/8") – 480 mm (18-7/8")
HBGB-7218	1845 mm (72-5/8") – 1851 mm (72-7/8")	473 mm (18-5/8") – 480 mm (18-7/8")



Instalación del mostrador HBGB

Generalidades

Utilice el siguiente procedimiento para encender y operar las unidades HBG y HBGB.

⚠ ADVERTENCIA

Lea todos los mensajes de seguridad de la sección Información de seguridad importante antes de operar el equipo.

PELIGRO DE DESCARGA ELÉCTRICA: No llene con agua los modelos SRB y SRBW. Son unidades de calor seco exclusivamente, no unidades de contenedores al vapor.

AVISO

No coloque nada encima de la cubierta protectora de vidrio. No está diseñada como un componente para soportar peso.

No deslice las bandejas sobre la superficie de vidrio, ni utilice bandejas con la parte inferior áspera ni deje que caiga nada en la superficie de vidrio. Se podría rayar o romper. Los daños a la superficie de vidrio o la rotura del vidrio a causa de uso indebido no están cubiertos bajo la garantía.

Encendido

1. Con un paño de limpieza apropiado o un paño húmedo, limpie la superficie de vidrio de la unidad. Una limpieza diaria consistente facilita la limpieza y a la vez protege y preserva la superficie de vidrio de la unidad.
2. Enchufe la unidad a un tomacorriente adecuadamente conectado a tierra del voltaje, tamaño y configuración del enchufe correctos. Si el enchufe y el tomacorriente no coinciden, comuníquese con un electricista calificado para determinar e instalar el voltaje y el tamaño de tomacorriente correctos.

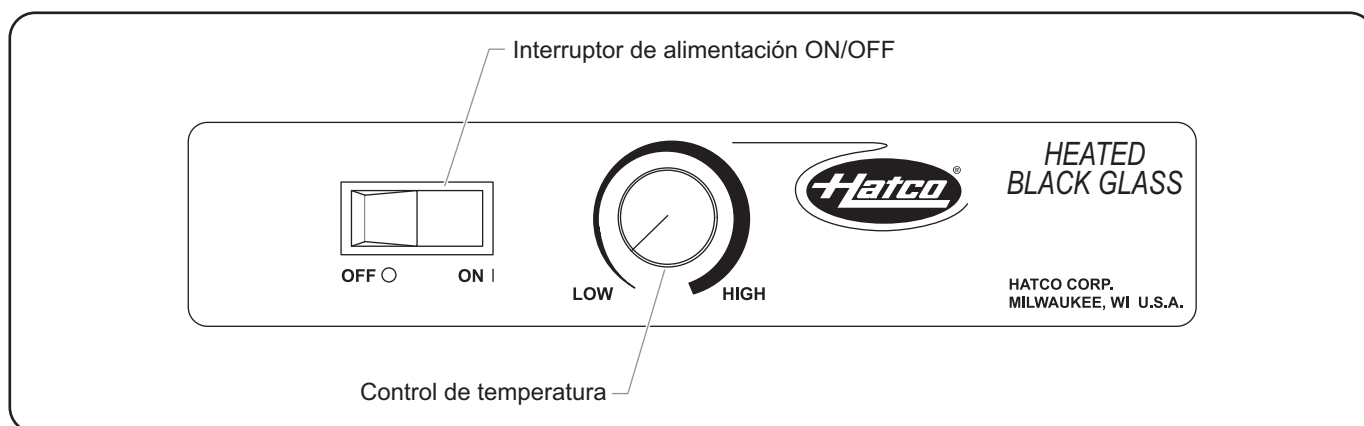
3. Mueva el interruptor de alimentación ON/OFF (Encendido/Apagado) a la posición ON.

⚠ ATENCIÓN

PELIGRO DE QUEMADURAS: Algunas superficies exteriores de la unidad se calientan. Tenga precaución al tocar estas áreas.

4. Gire el control de temperatura a la asignación de temperatura que desee.
5. Deje que transcurran 30 minutos para que la unidad alcance la temperatura operativa. Los estantes calentados de vidrio tienen un rango de temperatura de 38° a 93°C (100° a 200°F).

NOTA: Refiérase a la sección OPCIONES Y ACCESORIOS para información sobre la instalación y el funcionamiento de las unidades HBGB que están equipadas con un panel de control remoto de montaje empotrado.



Panel de control estándar

Generalidades

Los estantes calentados de vidrio negro están diseñada para proporcionar máximo rendimiento y durabilidad, con mantenimiento mínimo.

ADVERTENCIA

PELIGRO DE DESCARGA ELÉCTRICA:

- **Desenchufe el cable de alimentación o APAGUE el interruptor con fusibles/cortocircuito y deje que la unidad se enfríe antes de realizar ninguna operación de mantenimiento o limpieza.**
- **NO sumerja ni sature la unidad con agua. La unidad no es impermeable. No opere la unidad si ésta se sumergió o saturó con agua.**
- **No limpie con vapor ni use agua en exceso en la unidad.**
- **No limpie la unidad cuando esté energizada o caliente.**

Esta unidad no tiene piezas a las que el usuario pueda realizar mantenimiento. Si necesita realizar mantenimiento en esta unidad, comuníquese con un agente de servicio autorizado de Hatco o con el Departamento de Servicio de Hatco al 414-671-6350; fax 414-671-3976.

AVISO

No encender la unidad hasta que se haya limpiado en profundidad. No debe haber residuos en la superficie de vidrio cerámico para evitar que se quemen.

Utilizar sólo paños y limpiadores diseñados específicamente para limpiar superficies de vidrio cerámico. El uso de otro tipo de paños o limpiadores podría dañar la superficie de vidrio cerámico.

Limpieza Diaria

Una limpieza diaria consistente facilita la limpieza y a la vez protege y preserva la superficie de vidrio. Asegúrese de utilizar sólo paños y limpiadores designados específicamente para la limpieza de superficies de vidrio cerámico.

1. Cada día antes de encender la unidad, limpie la superficie de vidrio con un paño de limpieza o un paño húmedo apropiado.
2. Al final de cada día:
 - a. Apague la unidad y deje que se enfríe.
 - b. Limpie la superficie de vidrio con un paño de limpieza o un paño húmedo apropiado. Si fuera necesario limpiar más en profundidad, siga el procedimiento de "Limpieza de residuos quemados" en esta sección.

Limpieza de residuos quemados

Para limpiar residuos quemados, puede tener que utilizarse un limpiador de vidrio cerámico.

1. Deje que se enfríe la unidad.
2. Vierta unas gotas de limpiador de vidrio cerámico en el área con residuos.
3. Con un paño de limpieza apropiado, frote el área con residuos aplicando la presión necesaria.
4. Si quedan residuos, repita los pasos anteriores tantas veces como sea necesario.
5. Después de quitar todos los residuos, pula toda la superficie de vidrio utilizando el limpiador de vidrio cerámico y una toalla de papel.

Limpieza de derrames azucarados/pegajosos

1. Apague la unidad.
2. Póngase un guante de horno y quite la mayor parte del derrame con una toalla de papel.
3. Deje que se enfríe la unidad.
4. Siga el procedimiento para "Limpieza de residuos quemados" en esta sección para quitar los restos del derrame.
5. No vuelva a utilizar la unidad hasta que el derrame se haya limpiado completamente.

ATENCIÓN

Los derrames azucarados pueden producir picaduras o mellas en la superficie del vidrio. La superficie de vidrio se debe reemplazar si hay picaduras o mellas. Para prevenir daños adicionales y posibles heridas con vidrio roto, deje de utilizar inmediatamente la unidad y póngase en contacto con un agente de servicio autorizado de Hatco.

Limpieza de rayas y marcas metálicas

Generalmente se pueden quitar las rayas y las marcas metálicas de las ollas. Tenga cuidado al colocar las ollas en la superficie de vidrio. Para evitar que se hagan rayas y marcas metálicas, no deslice las ollas sobre la superficie de vidrio.

1. Deje que se enfríe la unidad.
2. Vierta unas gotas de limpiador de vidrio cerámico en el área rayada.
3. Con el paño de limpieza apropiado, frote el área rayada aplicando la presión necesaria.
4. Si sigue habiendo marcas y rayas, repita los pasos anteriores tantas veces como sea necesario.

NOTA: Compruebe la rugosidad de la parte inferior de todas las ollas para evitar que rayen la superficie de vidrio.

NOTA: Los daños a causa de derrames azucarados/pegajosos o por la rugosidad de la parte inferior de las ollas no están cubiertos bajo la garantía.

⚠ ADVERTENCIA

Sólo personal calificado debe realizar mantenimiento a la unidad. El mantenimiento realizado por personal no calificado puede causar descargas eléctricas o quemaduras.

⚠ ADVERTENCIA

PELIGRO DE DESCARGA ELÉCTRICA: Desenchufe el cable de alimentación o **APAGUE** el interruptor con fusibles/cortocircuito y deje que la unidad se enfríe antes de realizar ninguna operación de mantenimiento o limpieza.

Síntoma	Causa Probable	Acción Correctiva
Unidad demasiado caliente.	Control de temperatura asignado demasiado alto.	Adjust temperature control to a lower setting.
	Control de temperatura atascado en la posición ON (Encendido).	Póngase en contacto con un agente de servicio autorizado o con Hatco para asistencia.
	Unidad enchufada en fuente de alimentación incorrecta.	Verifique con personal cualificado que la fuente de alimentación corresponde a las especificaciones de la unidad.
Unidad no suficientemente caliente.	Control de temperatura asignado demasiado bajo.	Adjust temperature control to a higher setting.
	Ubicación de unidad susceptible a corrientes de aire (conductos de aire acondicionado o extractores).	Bloquee las corrientes de aire o reubique la unidad.
La unidad no funciona.	Unidad no enchufada.	Enchufe la unidad en la fuente de alimentación correcta.
	Unidad no encendida.	Mueva el interruptor de alimentación ON/OFF a la posición ON.
	Interruptor de alimentación ON/OFF defectuoso.	Póngase en contacto con un agente de servicio autorizado o con Hatco para asistencia.
	Elemento de calentamiento fundido.	Póngase en contacto con un agente de servicio autorizado o con Hatco para asistencia.
	Control de temperatura defectuoso.	Póngase en contacto con un agente de servicio autorizado o con Hatco para asistencia.

¿Tiene preguntas sobre cómo resolver un problema?

Si no logra resolver un problema, póngase en contacto con el agente de servicio autorizado de Hatco más cercano para obtener ayuda. Para encontrar al agente de servicio más cercano, inicie sesión en el sitio web de Hatco en www.hatcocorp.com y haga clic en Find Service Agent (Encontrar un agente de servicio) o póngase en contacto con el Equipo de piezas y servicio de Hatco:

Teléfono: 414-671-6350

Correo electrónico: partsandservice@hatcocorp.com

Fax: 414-671-3976

OPCIONES Y ACCESORIOS

Asas (HBG Model)

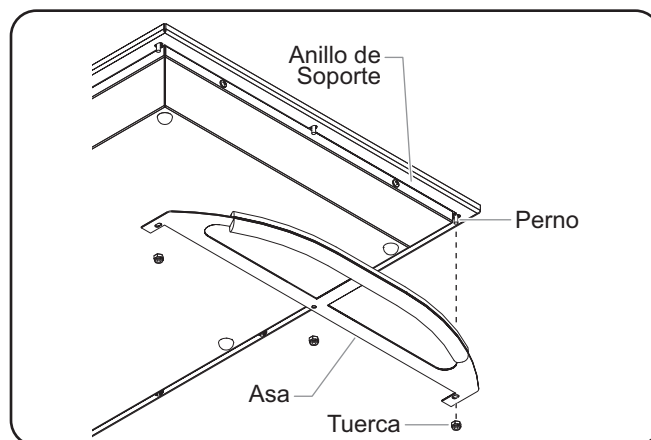
Las siguientes asas están disponibles para la unidad HBG.

HANDLE-18-SSAsas redondeadas de acero inoxidable

HANDLE-18-BLK ..Asas de diseño redondeadas de acero inoxidable pintadas de negro

Las asas son retroactivas y se instalan a cada extremo de la unidad mediante el siguiente procedimiento. En cada extremo de la unidad:

1. Quite las tres tuercas situadas en la parte inferior del anillo de soporte de la superficie de vidrio.
2. Alinee los tres orificios del asa con los tres pernos en el anillo de soporte y coloque el asa en los pernos.
3. Ponga de nuevo las tres tuercas en los pernos y ajústelas firmemente.



Instalación del asa

Panel de Control de Montaje Remoto

Está disponible un panel de control de montaje remoto empotrado como una opción instalada en fábrica para la unidad HBGB. Instale el panel de control in situ utilizando el siguiente procedimiento.

⚠️ ADVERTENCIA

PELIGRO DE DESCARGA ELÉCTRICA: Para un funcionamiento seguro y correcto, el panel de control remoto debe montarse sobre una pared vertical.

AVISO

El panel de control de montaje remoto se debe instalar fuera de la zona de calor. La ubicación del panel de control dentro de la zona de calor causará el sobrecalentamiento del control y, en consecuencia, problemas y fallos de funcionamiento.

No modificar el cableado o cortar el cable capilar del termostato en la caja de control para aumentar la distancia de montaje semiremoto. Cortar el cable capilar de termostato causará el sobrecalentamiento de la unidad lo que puede dañar tanto la unidad como el mostrador.

NOTA: Se recomienda que un electricista cualificado instale el panel de control de montaje remoto.

1. Prepare el espacio y efectúe la perforación preliminar de los orificios de los tornillos.
2. Quite la cubierta de ajuste del ensamblaje del panel de control.
3. Coloque la parte posterior del panel de control en la apertura.
4. Asegure el panel de control a la superficie mediante tornillos (no suministrados).
5. Enchufe el panel de control en la toma de corriente eléctrica, apropiadamente conectada a tierra, con la configuración de tensión, tamaño y enchufe correctos. Refiérase a la sección ESPECIFICACIONES para más información.
6. Vuelva a instalar la cubierta de ajuste.

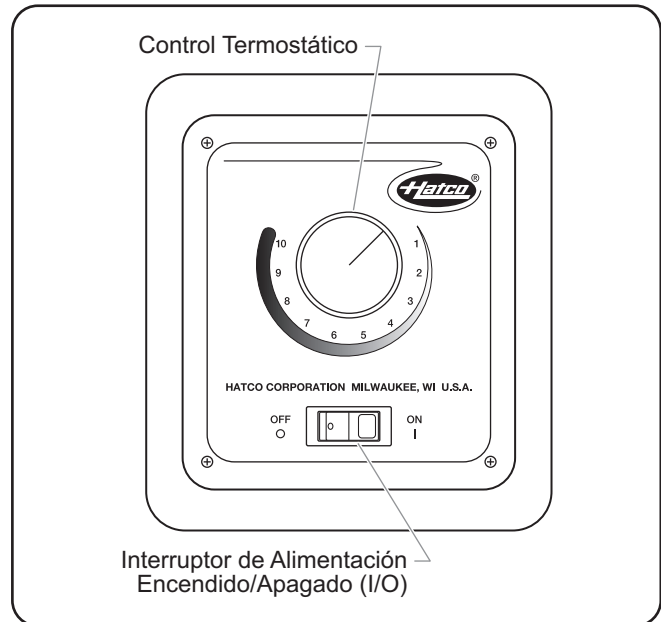
NOTA: Las unidades están equipadas con un conducto flexible de 914 mm (3'), 1829 mm (6'), o 3048 mm (10') que conecta el panel de control a la unidad.

Interruptor de Encendido/Apagado

Ambas carcasas de control remoto de estilo al ras están equipadas con un interruptor de Encendido/Apagado (I/O). Mueva el interruptor de ENCENDIDO/APAGADO (I/O) a la posición ENCENDIDO para activar la unidad. La luz indicadora en el interruptor brilla cuando la unidad está encendida.

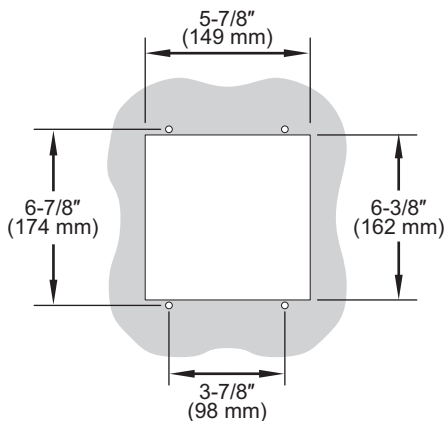
Ajuste del control termostático

Gire el control de temperatura hacia la derecha para aumentar la calibración de temperatura. Gire el control de temperatura hacia la izquierda para disminuir la calibración de temperatura.



Carcasa del control termostático

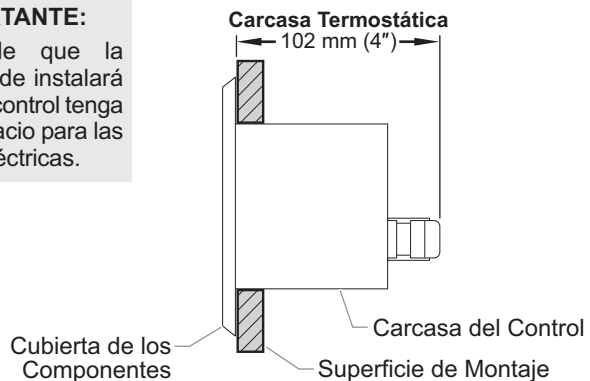
Carcasa del Control de Indicación de Temperatura 121 mm (4-3/4")



Vista Frontal del Recorte

NOTA IMPORTANTE:

Asegúrese de que la ubicación donde instalará la carcasa de control tenga suficiente espacio para las conexiones eléctricas.



Vista Lateral de la Carcasa Instalada

Dimensiones de Instalación de la Carcasa del Control Remoto

Cambio del punto de ajuste de temperatura: controlador digital de temperatura

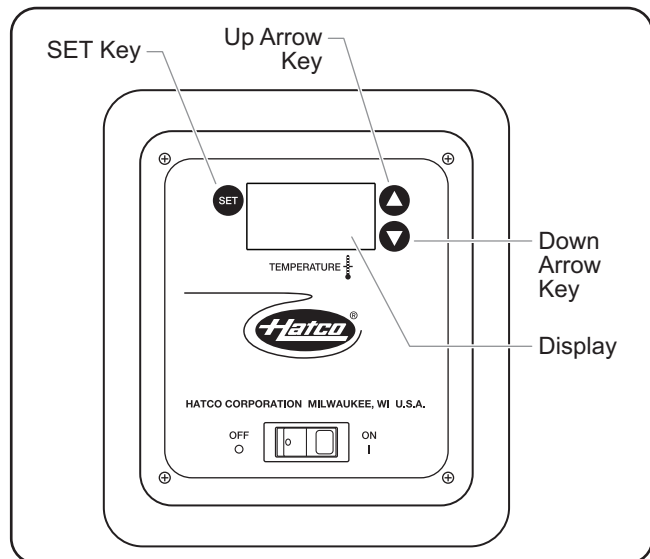
Las unidades equipadas con un controlador digital de temperatura se calentarán hasta el punto de ajuste de temperatura automáticamente cuando se enciendan. Realice el siguiente procedimiento para cambiar el punto de ajuste de temperatura.

NOTA: La temperatura que aparece en la pantalla puede ser inexacta cuando la temperatura de la unidad está por debajo de 130 °F (54 °C).

Si se interrumpe la secuencia de programación antes de completar el último paso, los valores cambiados no se aceptarán en la memoria.

1. Presione la tecla **set** tres veces. El punto de ajuste de temperatura actual se muestra en la pantalla TEMPERATURA (aparecerá "SP" después de presionar la segunda vez).
2. Presione la tecla **▲** o la tecla **▼** durante 10 segundos para cambiar el punto de ajuste de temperatura.
3. Presione la tecla **set** para fijar el nuevo punto de ajuste de temperatura. La pantalla TEMPERATURA quedará en blanco por dos segundos para mostrar que la nueva configuración se ha aceptado.

NOTA: Después de 10 segundos de inactividad durante el proceso de programación, el controlador sale del modo de programación automáticamente sin guardar ningún cambio.



Controlador digital de temperatura

Cambio de ajuste de grados Fahrenheit y Celsius: Controlador digital de temperatura

Realice el siguiente procedimiento para cambiar entre grados Fahrenheit y Celsius en la pantalla.

1. Presione la tecla **set** una vez. Aparecerá una "F" por Fahrenheit, o una "C" por Celsius.
2. Presione la tecla **▲** o la tecla **▼** durante 10 segundos para cambiar entre "F" (Fahrenheit) y "C" (Celsius).

3. Presione la tecla **set** tres veces para fijar el nuevo ajuste. La pantalla TEMPERATURA quedará en blanco por dos segundos para mostrar que la nueva configuración se ha aceptado.

NOTA: Después de 10 segundos de inactividad durante el proceso de programación, el controlador sale del modo de programación automáticamente sin guardar ningún cambio.

Patas ajustables de 102 mm (HBG Model)

Utilice el siguiente procedimiento para instalar las patas ajustables de 102 mm (4") en lugar del pedestal de goma en una unidad HBG.

NOTA: Las patas de 102 mm (4") se incluyen con los modelos de una anchura superior a 1041 mm (36").

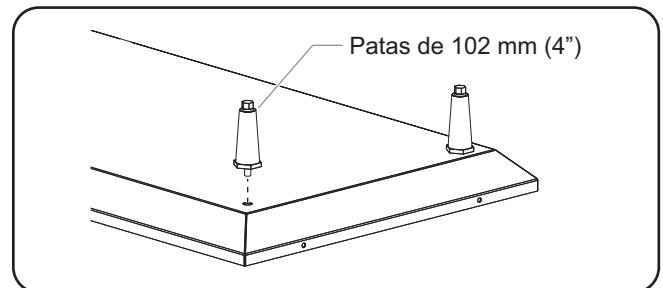
⚠ ADVERTENCIA

PELIGRO DE DESCARGA ELÉCTRICA: Apague la unidad, desenchufe el cable de alimentación y deje que la unidad se enfríe antes de realizar ninguna operación de limpieza o mantenimiento.

AVISO

No coloque la unidad sobre el lado del panel de control o podrían producirse daños en la unidad.

1. Apague la unidad, desenchufe el cordón de alimentación y deje que se enfríe la unidad.
2. Gire cuidadosamente boca abajo la unidad y deposítela sobre una superficie plana. Asegúrese de cubrir la superficie para evitar que se raye el vidrio.
3. Quite y guarde los tornillos que aseguran la base al ensamblaje de la estantería de vidrio. Hay diez tornillos — dos en el panel de control y ocho distribuidos en los laterales de la unidad.
3. En cada esquina de la base, quite los tornillos de los pies y los pies de goma.



Instalación de las patas de 102 mm (4")

4. En cada esquina de la base, atornille una pata de 102 mm (4") a través de la parte inferior de la base.

NOTA: Los extremos de las patas de 102 mm (4") pueden ajustarse para nivelar la unidad. Use una llave de boca abierta de 16 mm (5/8") para realizar los ajustes de nivelación una vez que haya colocado la unidad en la posición final.

1. GARANTÍA DEL PRODUCTO

Hatco garantiza que los productos que fabrica estarán libres de defectos en los materiales, bajo condiciones normales de uso y servicio, durante un período de un (1) año a partir de la fecha de compra cuando se instalan y reciben mantenimiento de acuerdo con las instrucciones por escrito de Hatco, o por 18 meses a partir de su envío por Hatco. El comprador debe establecer la fecha de compra del producto registrando el producto con Hatco o por otros medios que Hatco considere satisfactorios a su discreción exclusiva.

Hatco garantiza que los siguientes componentes del producto están libres de defectos en materiales a partir de la fecha de compra (sujetos a las condiciones precedentes) durante los períodos de tiempo y las condiciones que figuran a continuación:

a) Garantía de Dos (2) Años para las Piezas:

Componentes de la Tostadora de Correa Transportadora (recubiertos de metal)

Resistencias de los Cajones Térmicos (recubiertos de metal)

Cajones Térmicos, rodillos del cajón y piezas deslizantes

Elementos calentadores de banda (recubiertos de metal)

Resistencias del vitrinas expositoras

(calor por aire recubierto de metal)

Resistencias de vitrinas mantenedoras

(calor por aire recubierto de metal)

Elementos de embalse acalorados — Series HWB (recubiertos de metal)

b) Garantía de Cinco (5) Años para las Piezas:

Depósitos 3DS y FR

c) Garantía de Diez (10) Años para las Piezas:

Calentadores de agua eléctricos de refuerzo

Calentadores de agua a gas de refuerzo

d) Garantía de Noventa (90) Días para las Piezas:

Piezas de Repuesto

LAS GARANTÍAS ANTERIORES SON EXCLUSIVAS Y SUSTITUYEN A CUALQUIER OTRA GARANTÍA, EXPRESA O IMPLÍCITA, INCLUYENDO PERO SIN LIMITARSE A CUALQUIER GARANTÍA IMPLÍCITA DE COMERCIABILIDAD O ADECUACIÓN PARA UN FIN PARTICULAR O PATENTE U OTRA INFRACCIÓN DEL DERECHO DE PROPIEDAD INTELECTUAL. Sin limitar la generalidad de lo anterior, TALES GARANTÍAS NO CUBREN: Bombillas incandescentes revestidas, bombillas fluorescentes, bombillas para lámparas de calor, bombillas halógenas revestidas, bombillas halógenas para lámparas de calor, bombillas de xenón, tubos de LED, componentes de vidrio y fusibles; mal funcionamiento del Producto en los calentadores de agua, en los intercambiadores de calor de tubos aleatados o en cualquier otro equipo de calefacción de agua causado por acumulación de cal, acumulación de sedimentos, productos químicos o congelación; o por el uso indebido, manipulación, aplicación indebida, instalación deficiente o suministro de tensión eléctrica inadecuado al Producto.

2. LIMITACIÓN DE REMEDIOS Y DAÑOS

La responsabilidad de Hatco y los derechos del Comprador descritos a continuación se limitarán exclusivamente al reemplazo de la pieza o del Producto empleando, a discreción de Hatco, piezas nuevas o restauradas o un Producto nuevo o restaurado por Hatco o uno de sus centros de servicio autorizados siempre que la reclamación se haya efectuado dentro de los plazos de garantía mencionados anteriormente. Hatco se reserva el derecho a aceptar o rechazar de forma total o parcial cualquier reclamación efectuada. A efectos de la presente Garantía Limitada, se entenderá por "restaurado/a" la pieza o el Producto que haya recuperado sus especificaciones originales tras haber sido reparado/a por Hatco o por uno de sus centros de servicio autorizados. Hatco no aceptará la devolución de ningún producto sin la previa aprobación de Hatco por escrito, y en todas las devoluciones aprobadas el comprador correrá con los gastos. HATCO NO SERÁ RESPONSABLE, BAJO NINGUNA CIRCUNSTANCIA, DE DAÑOS INDIRECTOS O INCIDENTALES, INCLUYENDO PERO SIN LIMITARSE A COSTOS DE MANO DE OBRA O PÉRDIDA DE INGRESOS QUE RESULTEN DEL USO O DE LA INCAPACIDAD DE USAR EL PRODUCTO O DE QUE EL PRODUCTO SE INCORPORA A OTRO PRODUCTO O MERCANCÍA O SEA UN COMPONENTE DE DICHO PRODUCTO.

INFORMACIÓN DEL SERVICIO DE GARANTÍA

La garantía en los estantes calentados de vidrio negro es de un año a partir de la fecha de compra o dieciocho meses a partir de la fecha del envío por Hatco, lo que ocurra primero.

Si experimenta un problema con los estantes calentados de vidrio negro durante el período de garantía, haga lo siguiente:

Póngase en Contacto con un Distribuidor Local de Hatco

Al comunicarse con un distribuidor de Hatco para recibir asistencia con el servicio, proporcione al distribuidor la siguiente información para asegurar un pronto procesamiento:

- Modelo de la Unidad
- Número de Serie (ubicado en la parte inferior de la unidad)
- Problema Específico con la Unidad
- Fecha de Compra
- Nombre de su Negocio
- Dirección de Envío
- Nombre de Contacto y Número de Teléfono

El distribuidor de Hatco hará lo siguiente:

- Proporcionará piezas de repuesto, según sea requerido
- Presentará un reclamo bajo la garantía a Hatco para su procesamiento

Problemas no relacionados con la garantía

Si tiene un problema no relacionado con la garantía y que requiere asistencia, póngase en contacto con el Centro de Servicio Autorizado por Hatco más cercano. Para localizar el Centro de Servicio más próximo:

- Visite el sitio web de Hatco: www.hatcocorp.com, seleccione el menú desplegable "Recursos" (Resources) y haga clic en "Localizar un Centro de Servicio/Distribuidor" (Find Service Agent/Distributor).
- Llame al número de teléfono del Servicio de Atención al Cliente de Hatco: 414-671-6350.
- Mande un e-mail al Servicio de Atención al Cliente de Hatco a la siguiente dirección: partsandservice@hatcocorp.com

Informations Importantes pour le Propriétaire	41	Mode d'emploi.....	48
Introduction	41	Généralités.....	48
Consignes de Sécurité Importantes	42	Maintenance	49
Description du Modèle	43	Généralités.....	49
Tous les Modèles	43	Nettoyage quotidien	49
Modèles HBG	43	Nettoyage des résidus carbonisés	49
Modèles HBGB	43	Nettoyage des déversements de sucre	49
Désignation du Modèle	43	Nettoyage des marques de métal et des rayures.....	49
Caractéristiques Techniques	43	Guide de Dépannage	50
Configuration des Fiches.....	43	Options et Accessoires	50
Tableau des valeurs nominales électriques.....	44	Garantie Limitée Internationale	53
Dimensions	45	Informations de Service	53
Installation	46		
Généralités.....	46		
Modèles HBG	46		
Modèles HBGB	46		

INFORMATIONS IMPORTANTES POUR LE PROPRIÉTAIRE

Noter le numéro de modèle, le numéro de série (situées en bas de l'appareil), le voltage et la date d'achat de votre appareil ci-dessous. Veuillez avoir cette information à portée de la main si vous appelez Hatco pour assistance.

Modèle No. _____

Numéro de série _____

Voltage _____

Date d'achat _____

Enregistrez votre appareil!

Remplissez la garantie en ligne pour éviter les retards pour faire jouer la garantie. Accédez au site Web Hatco www.hatcocorp.com, sélectionnez le menu déroulant Parts & Service, puis cliquez sur Warranty Registration.

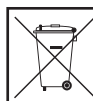
Horaires
ouvrables : 7h00 à 17h00
Heure du Centre des États-Unis (CST)
(Horaires d'été : juin à septembre—
7h00 à 17h00 CST du lundi au jeudi
7h00 à 16h00 CST le vendredi)

Téléphone : +1-414-671-6350

Courriel: partsandservice@hatcocorp.com

Télécopieur : +1-414-671-3976 (Pièces et Service après-vente)

Des renseignements supplémentaires sont disponibles sur notre site Web à www.hatcocorp.com.



Mise au rebut correcte de ce produit

Cette indication signale que ce produit et ses composants électroniques ne doivent pas être jetés avec les autres déchets commerciaux. Dans le but d'éviter tout danger pour l'environnement ou la santé humaine susceptible d'être causé par la mise au rebut non contrôlée des déchets, recyclez de manière responsable afin de promouvoir la réutilisation durable des ressources matérielles. Contactez le vendeur du produit pour mettre au rebut ce produit et ses composants électroniques afin de recycler de manière écologique.

INTRODUCTION

Les étagères chauffantes en vitrocéramique noire Hatco sont conçues pour maintenir les aliments chauds en toute sécurité tout en se mariant au décor. Elles gardent les aliments aux températures de service correctes, sans influencer la qualité. Elles ont un socle en vitrocéramique chauffé thermostaté qui prolonge les temps de maintien au chaud des aliments.

Les Étagères chauffantes en vitrocéramique noire de Hatco sont le fruit de recherches poussées et d'essais sur site complets. Les matériaux utilisés ont été sélectionnés pour une durabilité maximale, un aspect esthétique et une performance optimale. Chaque appareil est soigneusement inspecté et testé avant expédition.

Ce manuel fournit les instructions d'installation, les consignes de sécurité et le mode d'emploi des étagères chauffées en vitrocéramique noire. Hatco vous recommande de lire l'ensemble des instructions d'installation, de sécurité et de fonctionnement contenues dans ce manuel avant d'installer et d'utiliser l'appareil.

Les consignes de sécurité qui apparaissent dans ce manuel sont identifiées par les mots indicateurs suivants :

AVERTISSEMENT

AVERTISSEMENT indique une situation dangereuse qui, si elle n'est pas évitée, peut provoquer la mort ou des blessures graves.

ATTENTION

ATTENTION indique une situation dangereuse qui, si elle n'est pas évitée, peut provoquer des blessures légères ou moyennes.

AVIS

AVIS est utilisé pour des questions sans rapport avec des blessures corporelles.



Lisez l'information de sécurité importante suivante avant d'utiliser cet équipement pour éviter des dommages ou la mort sérieux et pour éviter d'endommager l'équipement ou la propriété.

AVERTISSEMENT

DANGER DE DÉCHARGE ÉLECTRIQUE :

- Brancher l'appareil sur une prise de courant avec terre de tension, de format et de configuration des broches corrects. Si la fiche et la prise ne se correspondent pas, s'adresser à un électricien qualifié pour déterminer et installer une prise de courant de format et de tension corrects.
- Éteignez l'appareil et débranchez le cordon d'alimentation de la prise secteur et laissez refroidir avant une maintenance ou un nettoyage.
- NE PAS immerger l'appareil ni le saturer d'eau. L'appareil n'est pas étanche à l'eau. Ne pas le faire fonctionner s'il a été immergé ou saturé d'eau.
- L'appareil n'est pas à l'épreuve des intempéries. Placer l'appareil à l'intérieur à une température ambiante de 21°C minimum.
- Ne pas nettoyer à la vapeur ni utiliser trop d'eau sur l'appareil.
- Cet appareil n'est pas étanche aux jets. Ne pas utiliser de jet sous pression pour nettoyer l'appareil.
- Ne pas tirer l'appareil par son cordon électrique.
- Ne pas utiliser l'appareil si le cordon est endommagé ou usé.
- Ne pas tenter de réparer ni de changer un cordon électrique endommagé. Ce cordon doit être changé par Hatco, par un réparateur Hatco agréé ou par une personne de qualifications comparables.
- Ne pas nettoyer l'appareil lorsqu'il est sous tension.
- Pour les réparations, utiliser exclusivement des pièces de rechange Hatco d'origine. Utilisez des pièces détachées Hatco authentiques sous peine d'annuler toutes les garanties et d'exposer l'utilisateur à des tensions électriques dangereuses pouvant entraîner une électrocution ou des brûlures. Les pièces de rechange Hatco d'origine sont conçues pour fonctionner sans danger dans les environnements dans lesquels elles sont utilisées. Certaines pièces de rechange génériques ou de second marché ne présentent pas les caractéristiques leur permettant de fonctionner sans danger dans la matériel Hatco.

DANGER D'INCENDIE : Placer l'appareil à un minimum de 25 mm des parois et matières combustibles. Si une distance sûre n'est pas maintenue, la chaleur peut provoquer une combustion ou une altération de couleur.

S'assurer que le produit alimentaire a été chauffé à une température adaptée au maintien de sa salubrité avant de le mettre sur l'appareil sous peine de risques graves pour la santé. Cet appareil est destiné au maintien de produits alimentaires préchauffés uniquement.

Cet appareil ne doit pas être utilisé par des enfants ou des personnes avec des capacités physiques, sensorielles ou mentales diminuées. Assurez-vous que les enfants sont bien surveillés et tenez-les à l'écart de l'appareil.

Cet appareil ne contient aucune pièce réparable par l'utilisateur. Si cet appareil doit être réparé, contacter un réparateur Hatco agréé ou le Service après-vente Hatco au +1 414-671-6350 ; télécopieur +1 414-671-3976.

ATTENTION

DANGER DE BRÛLURE : Certaines surfaces extérieures de l'appareil deviennent chaudes. Toucher ces zones de l'appareil avec précaution.

Placer l'appareil sur un plan de travail de hauteur correcte à un endroit qui convient pour son utilisation. Le support doit être de niveau pour éviter toute chute accidentelle du grille-pain ou de son contenu et suffisamment solide pour résister au poids de l'appareil et de son contenu.

Assurez-vous que tous les opérateurs ont été formés à l'utilisation sûre et correcte de l'appareil.

N'utilisez pas les modèles encastrés sans avoir correctement monté le boîtier de commande comme indiqué dans les instructions d'installation.

La National Sanitation Foundation (NSF) exige que les appareils mesurant plus de 914 mm (36") de largeur et pesant plus de 36 kg (80 lbs.) soient hermétiquement fixés ou rehaussés sur la surface d'installation. Si vous ne pouvez pas fixer l'appareil à son endroit d'utilisation, montez-le sur les pieds de 102 mm (4") pour pouvoir facilement nettoyer en dessous.

Des piqûres ou renfoncement dans la surface en vitrocéramique sont possibles suite à des déversements de sucre. Dans ce cas, la surface en vitrocéramique devra être remplacée. Pour éviter d'autres dégâts et des blessures possibles causées par le bris de verre, arrêtez immédiatement d'utiliser l'appareil et contactez un agent de maintenance agréé par Hatco.

AVIS

Les modèles encastrés sont conçus pour une utilisation sous des comptoirs métalliques. Les dommages subis par les matériaux de comptoir non métalliques ne sont pas couverts par la garantie Hatco.

Ne modifiez pas le câblage et ne coupez pas le fil du capillaire du thermostat sur le boîtier de commande pour augmenter la distance de montage à mi-distance. Le sectionnement du fil du capillaire du thermostat engendrera la surchauffe de l'appareil et risque d'endommager l'appareil, de même que le comptoir environnant.

N'allumez pas l'appareil avant de l'avoir nettoyé correctement. La surface en vitrocéramique devra être dépourvue de particules pour éviter leur carbonisation.

Ne pas poser l'appareil sur le côté du panneau de commande sous peine de l'endommager.

Ne pas glisser les plats sur la surface en verre, ne pas utiliser de plats à fond bombé et ne rien faire tomber sur la surface en verre. Risque de rayures ou de casse. L'endommagement de la surface en verre ou sa casse causés par une utilisation impropre ne sont pas couverts par la garantie.

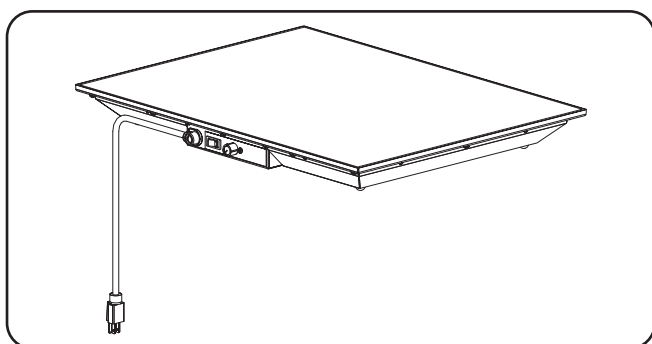
Utilisez uniquement des lingettes, tampons et nettoyants spécialement conçus pour le nettoyage des surfaces en vitrocéramique. L'utilisation d'autres lingettes, tampons et nettoyants risque d'endommager la surface en vitrocéramique.

Tous les modèles

Toutes les étagères chauffantes en vitrocéramique noire sont idéales pour les zones de passage des plats, les buffets et la présentation des hors-d'œuvres. La marque National Sanitation Foundation (NSF) permet le placement des aliments directement sur la surface en vitrocéramique au besoin. L'équipement série inclut un interrupteur de marche/arrêt lumineux, une surface en vitrocéramique chauffée thermostatée et un socle en acier peint. Les étagères chauffantes en vitrocéramique noire ont un intervalle de température de 38 à 93 °C (100° à 200°F).

Modèles HBG

L'étagère chauffante en vitrocéramique noire HBG est une étagère portable munie d'un cordon à fiche de 1 829 mm (6 pieds) attaché. L'appareil portable est proposé dans six modèles : HBG-2418, HBG-3018, HBG-3618, HBG-4818, HBG-6018 et HBG-7218.

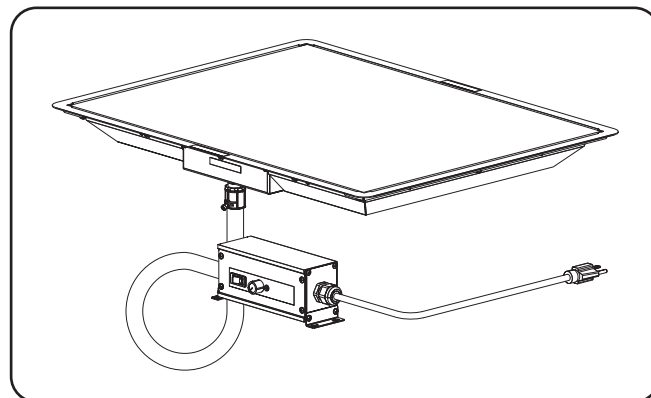


Modèle HBG

Modèles HBGB

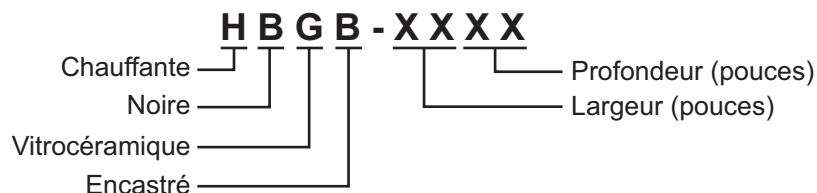
L'étagère chauffante en vitrocéramique noire HBGB est un appareil encastré équipé d'une garniture. Elle inclut une télécommande attachée via un câble de 914 mm (3'). Un cordon de 1 829 mm (6') avec fiche permet le branchement de la télécommande sur l'alimentation.

Les appareils encastrés sont proposés dans six modèles : HBGB-2418, HBGB-3018, HBGB-3618, HBGB-4818, HBGB-6018 et HBGB-7218.



Modèle HBGB

DÉSIGNATION DU MODÈLE



CARACTÉRISTIQUES TECHNIQUES

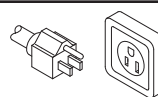
Configuration des fiches

Les appareils sont livrés avec un cordon électrique avec fiche. Différentes fiches sont fournies selon les applications.

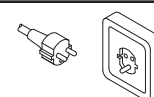
AVERTISSEMENT

DANGER DE DÉCHARGE ÉLECTRIQUE : Brancher l'appareil sur une prise de courant avec terre de tension, de format et de configuration des broches corrects. Si la fiche et la prise ne se correspondent pas, s'adresser à un électricien qualifié pour déterminer et installer une prise de courant de format et de tension corrects.

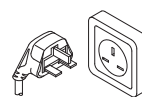
NOTA: Prise non fournie par Hatco.



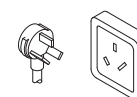
NEMA 5-15P



CEE 7/7 Schuko



BS-1363



AS 3112

Configuration des fiches

Tableau des valeurs nominales électriques — Modèles HBG

Modèle	Tension	Intensité	Amps	Configuration de Fiches	Poids d'embarquement
HBG-2418	100	425	4.3	NEMA 5-15P	10 kg (22 lbs.)
	220-230 (CE)	420-459	1.9-2.0	CEE 7/7 Schuko	10 kg (22 lbs.)
	230-240 (CE)	459-500	2.0-2.1	BS-1363 ou AS 3112 *	10 kg (22 lbs.)
HBG-3018	100	525	5.3	NEMA 5-15P	12 kg (27 lbs.)
	220-230 (CE)	525-574	2.4-2.5	CEE 7/7 Schuko	12 kg (27 lbs.)
	230-240 (CE)	574-625	2.5-2.6	BS-1363 ou AS 3112 *	12 kg (27 lbs.)
HBG-3618	100	630	6.3	NEMA 5-15P	15 kg (32 lbs.)
	220-230 (CE)	630-689	2.9-3.0	CEE 7/7 Schuko	15 kg (32 lbs.)
	230-240 (CE)	689-750	3.0-3.1	BS-1363 ou AS 3112 *	15 kg (32 lbs.)
HBG-4818	100	850	8.5	NEMA 5-15P	20 kg (44 lbs.)
	220-230 (CE)	840-918	3.8-4.0	CEE 7/7 Schuko	20 kg (44 lbs.)
	230-240 (CE)	918-1000	4.0-4.2	BS-1363 ou AS 3112 *	20 kg (44 lbs.)
HBG-6018	100	1050	10.5	NEMA 5-15P	25 kg (54 lbs.)
	220-230 (CE)	1050-1148	4.8-5.0	CEE 7/7 Schuko	25 kg (54 lbs.)
	230-240 (CE)	1148-1250	5.0-5.2	BS-1363 ou AS 3112 *	25 kg (54 lbs.)
HBG-7218	100	1260	12.6	NEMA 5-15P	29 kg (64 lbs.)
	220-230 (CE)	1260-1378	5.7-6.0	CEE 7/7 Schuko	29 kg (64 lbs.)
	230-240 (CE)	1378-1500	6.0-6.3	BS-1363 ou AS 3112 *	29 kg (64 lbs.)

Tableau des valeurs nominales électriques — Modèles HBGB

Modèle	Tension	Intensité	Amps	Configuration de Fiches	Poids d'embarquement
HBGB-2418	100	425	4.3	NEMA 5-15P	12 kg (27 lbs.)
	220-230 (CE)	420-459	1.9-2.0	CEE 7/7 Schuko	12 kg (27 lbs.)
	230-240 (CE)	459-500	2.0-2.1	BS-1363 ou AS 3112 *	12 kg (27 lbs.)
HBGB-3018	100	525	5.3	NEMA 5-15P	15 kg (32 lbs.)
	220-230	1050-1147	4.8-5.0	CEE 7/7 Schuko	15 kg (32 lbs.)
	220-230 (CE)	525-574	2.4-2.5	CEE 7/7 Schuko	15 kg (32 lbs.)
	230-240	1147-1249	5.0-5.2	CEE 7/7 Schuko	15 kg (32 lbs.)
	230-240 (CE)	574-625	2.5-2.6	BS-1363 ou AS 3112 *	15 kg (32 lbs.)
HBGB-3618	100	630	6.3	NEMA 5-15P	17 kg (37 lbs.)
	220-230 (CE)	630-689	2.9-3.0	CEE 7/7 Schuko	17 kg (37 lbs.)
	230-240 (CE)	689-750	3.0-3.1	BS-1363 ou AS 3112 *	17 kg (37 lbs.)
HBGB-4818	100	850	8.5	NEMA 5-15P	25 kg (54 lbs.)
	220-230 (CE)	840-918	3.8-4.0	CEE 7/7 Schuko	25 kg (54 lbs.)
	230-240 (CE)	918-1000	4.0-4.2	BS-1363 ou AS 3112 *	25 kg (54 lbs.)
HBGB-6018	100	1050	10.5	NEMA 5-15P	29 kg (64 lbs.)
	220-230 (CE)	1050-1148	4.8-5.0	CEE 7/7 Schuko	29 kg (64 lbs.)
	230-240 (CE)	1148-1250	5.0-5.2	BS-1363 ou AS 3112 *	29 kg (64 lbs.)
HBGB-7218	100	1260	12.6	NEMA 5-15P	34 kg (74 lbs.)
	220-230 (CE)	1260-1378	5.7-6.0	CEE 7/7 Schuko	34 kg (74 lbs.)
	230-240 (CE)	1378-1500	6.0-6.3	BS-1363 ou AS 3112 *	34 kg (74 lbs.)

* Fiche AS 3112 pour l'Australie seulement.

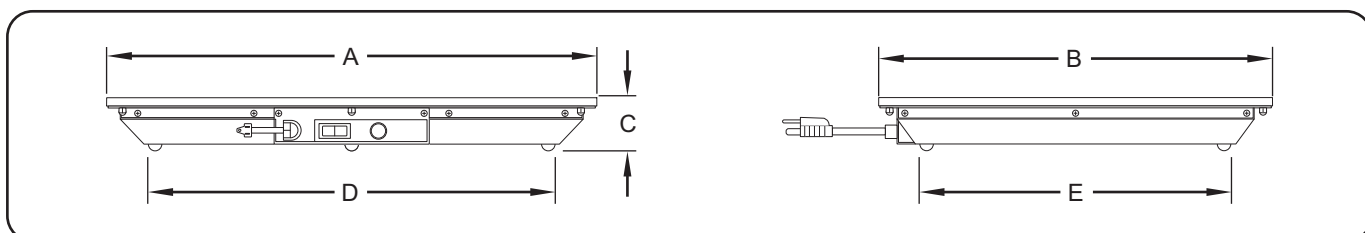
NOTA: Le poids d'embarquement comprend l'emballage.

Dimensions — Modèles HBG

Modèle	Largeur (A)	Profondeur (B)	Hauteur (C)†	Empattement Largeur (D)	Empattement Profondeur (E)
HBG-2418	618 mm (24-3/8")	466 mm (18-3/8")	61 mm (2-7/16")	501 mm (19-3/4")	349 mm (13-3/4")
HBG-3018	771 mm (30-3/8")	466 mm (18-3/8")	61 mm (2-7/16")	654 mm (25-3/4")	349 mm (13-3/4")
HBG-3618	923 mm (36-3/8")	466 mm (18-3/8")	61 mm (2-7/16")	806 mm (31-3/4")	349 mm (13-3/4")
HBG-4818 †	1228 mm (48-3/8")	466 mm (18-3/8")	155 mm (6-1/8")	1086 mm (42-3/4")	324 mm (12-3/4")
HBG-6018 †	1533 mm (60-3/8")	466 mm (18-3/8")	155 mm (6-1/8")	1390 mm (54-3/4")	324 mm (12-3/4")
HBG-7218 †	1838 mm (72-3/8")	466 mm (18-3/8")	155 mm (6-1/8")	1695 mm (66-3/4")	324 mm (12-3/4")

NOTA: L'étiquette des caractéristiques techniques se situe sous l'appareil. Reportez-vous à l'étiquette du numéro de série et les données électriques de l'appareil.

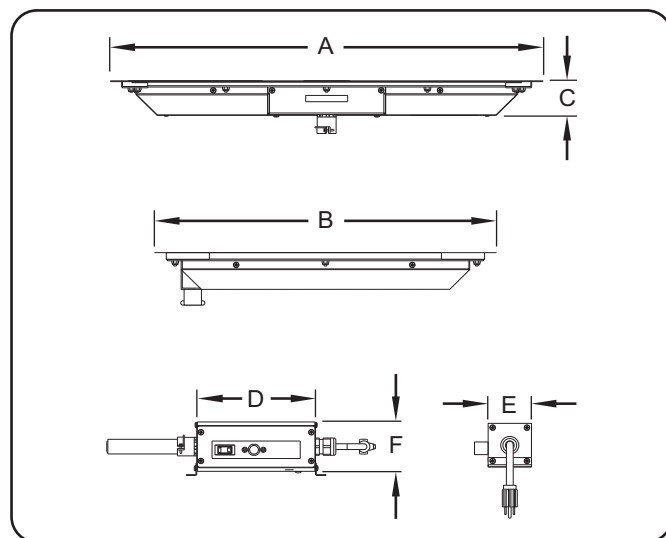
† La hauteur inclut les 102 mm (4 po) des pieds.



HBG Dimensions

Dimensions — Modèles HBGB

Modelo	Largeur (A)	Profondeur (B)	Hauteur (C)
HBGB-2418	651 mm (25-5/8")	498 mm (19-5/8")	55 mm (2-3/16")
HBGB-3018	803 mm (31-5/8")	498 mm (19-5/8")	55 mm (2-3/16")
HBGB-3618	955 mm (37-5/8")	498 mm (19-5/8")	55 mm (2-3/16")
HBGB-4818	1260 mm (49-5/8")	498 mm (19-5/8")	55 mm (2-3/16")
HBGB-6018	1565 mm (61-5/8")	498 mm (19-5/8")	55 mm (2-3/16")
HBGB-7218	1870 mm (73-5/8")	498 mm (19-5/8")	55 mm (2-3/16")



HBGB Dimensions

Boîtier de Télécommande

Largeur (D)	Profondeur (E)	Hauteur (F)
178 mm (7")	64 mm (2-1/2")	76 mm (3")

Généralités

Procédez comme suit pour installer les modèles HBG et HBGB.

AVERTISSEMENT

DANGER DE DÉCHARGE ÉLECTRIQUE: L'appareil n'est pas à l'épreuve des intempéries. Placer l'appareil à l'intérieur à une température ambiante de 21°C minimum.

DANGER D'INCENDIE : Placer l'appareil à un minimum de 25 mm des parois et matières combustibles. Si une distance sûre n'est pas maintenue, la chaleur peut provoquer une combustion ou une altération de couleur.

ATTENTION

Placer l'appareil sur un plan de travail de hauteur correcte à un endroit qui convient pour son utilisation. Le support doit être de niveau pour éviter toute chute accidentelle du grille-pain ou de son contenu et suffisamment solide pour résister au poids de l'appareil et de son contenu.

AVIS

Ne pas poser l'appareil sur le côté du panneau de commande sous peine de l'endommager.

Modèles HBG

1. Retirer l'appareil de sa boîte.
2. Retirer le ruban et le film de protection de toutes les surfaces de l'appareil.

NOTA: Si des pieds de 102 mm sont requis, reportez-vous aux instructions d'installation de la section OPTIONS ET ACCESSOIRES de ce manuel. Des pieds de 102 mm sont inclus avec les modèles de plus de 1 041 mm (36") de largeur.

3. Placer l'appareil à l'endroit souhaité.
 - Placez l'appareil à un endroit où la température ambiante est constante et de 21 °C minimum. Évitez les endroits susceptibles d'activer les mouvements ou les courants d'air (proximité des ventilateurs ou hottes d'évacuation et conduites de climatisation).
 - S'assurer que l'appareil est sur un plan de travail de hauteur correcte à un endroit qui convient pour son utilisation.
 - S'assurer que le plan de travail est de niveau et suffisamment solide pour résister au poids de l'appareil et des produits alimentaires.
 - Vérifier que tous les pieds sous l'appareil reposent solidement sur le plan de travail.
4. Installez tous les accessoires fournis avec l'appareil. Pour des détails, reportez-vous à la section OPTIONS ET ACCESSOIRES.

Modèles HBGB

ATTENTION

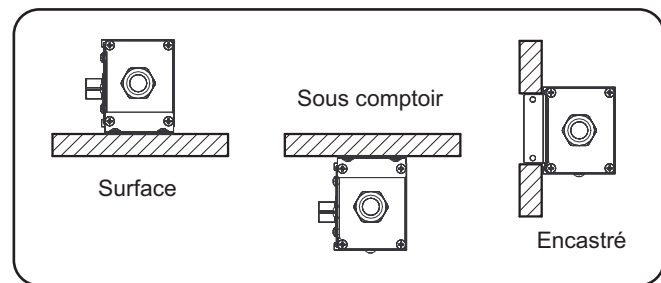
La National Sanitation Foundation (NSF) exige que les appareils mesurant plus de 914 mm (36") de largeur et pesant plus de 36 kg (80 lbs.) soient hermétiquement fixés ou rehaussés sur la surface d'installation. Si vous ne pouvez pas fixer l'appareil à son endroit d'utilisation, montez-le sur les pieds de 102 mm (4") pour pouvoir facilement nettoyer en dessous.

Assurez-vous que tous les opérateurs ont été formés à l'utilisation sûre et correcte de l'appareil.

AVIS

Les modèles encastrés sont conçus pour une utilisation sous des comptoirs métalliques. Les dommages subis par les matériaux de comptoir non métalliques ne sont pas couverts par la garantie Hatco.

1. Retirer l'appareil de sa boîte.
2. Retirer le ruban et le film de protection de toutes les surfaces de l'appareil.
3. Préparez la découpe du comptoir. Pour les dimensions de découpe du comptoir recommandées, reportez-vous au tableau « Découpe du comptoir » dans cette section.
4. Appliquez un cordon d'agent d'étanchéité approuvé par NSF sur le bord supérieur de la découpe et sous la garniture d'installation. L'agent d'étanchéité doit être prévu pour une utilisation à une température minimum de 121 °C (250°F).
5. Placez l'appareil dans la découpe du comptoir.
6. Retirez l'excédent d'agent d'étanchéité.
7. Placez la télécommande à un endroit commode pour l'utilisation. Au besoin, retirez les supports terminaux du boîtier de commande et tournez-les pour les repositionner.
 - La télécommande peut être montée en surface, sous le comptoir ou encastrée. Si elle est encastrée, elle exigera une découpe de 184 mm (L) x 83 mm (H) (7-1/4" x 3-1/4").



Options de Montage de la Télécommande

- La distance de montage de la télécommande par rapport à l'appareil est fonction du conduit de 914 mm (3 pieds). Ne tirez pas sur le conduit pour augmenter la distance de montage. Le conduit devra avoir du mou en fois la télécommande en place.

AVIS

Ne modifiez pas le câblage et ne coupez pas le fil du capillaire du thermostat sur le boîtier de commande pour augmenter la distance de montage à mi-distance. Le sectionnement du fil du capillaire du thermostat engendrera la surchauffe de l'appareil et risque d'endommager l'appareil, de même que le comptoir environnant.

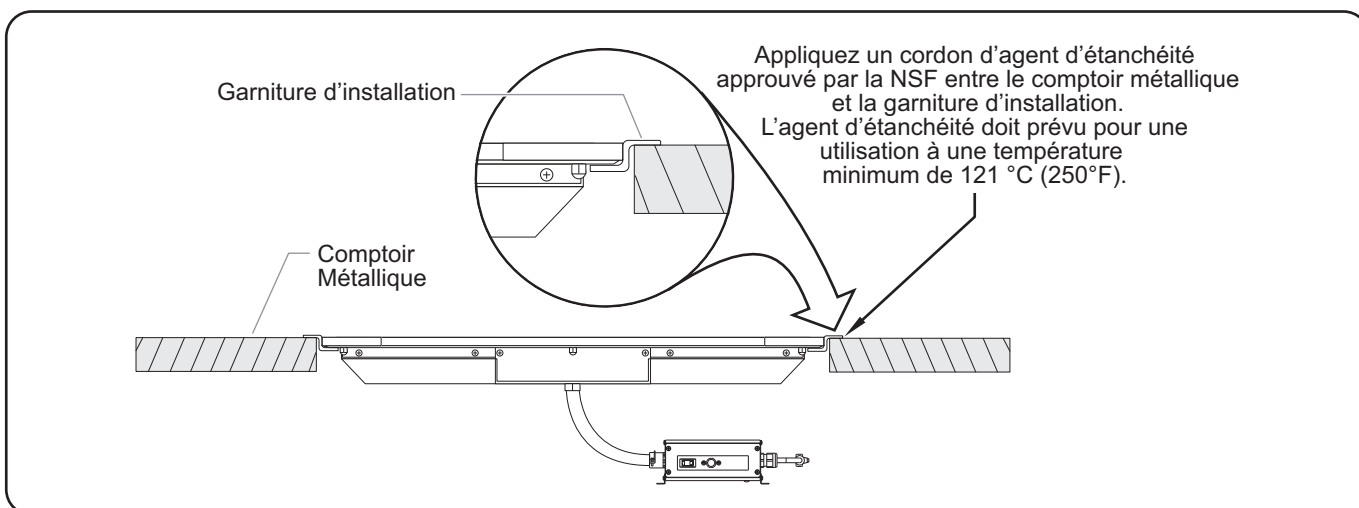
NOTA: Le boîtier de la télécommande doit être fixé par des vis de 6 mm minimum de diamètre de tête insérées dans les trous de serrure des supports de fixation. Le boîtier de la télécommande doit être facilement amovible et non fixé de manière permanente.

8. Une fois tous les composants fixés, passez à la section Mode d'emploi.

NOTA: Un cordon de 1 829 mm (6 pieds) est fourni avec cet appareil ; toute longueur de cordon en excès devra être minutieusement mise de côté pour ne pas pendre.

Tableau des découpes dans le comptoir pour les HBGB

Modèle	Largeur	Profondeur
HBGB-2418	625 mm (24-5/8") – 632 mm (24-7/8")	473 mm (18-5/8") – 480 mm (18-7/8")
HBGB-3018	778 mm (30-5/8") – 784 mm (30-7/8")	473 mm (18-5/8") – 480 mm (18-7/8")
HBGB-3618	930 mm (36-5/8") – 937 mm (36-7/8")	473 mm (18-5/8") – 480 mm (18-7/8")
HBGB-4818	1235 mm (48-5/8") – 1241 mm (48-7/8")	473 mm (18-5/8") – 480 mm (18-7/8")
HBGB-6018	1540 mm (60-5/8") – 1546 mm (60-7/8")	473 mm (18-5/8") – 480 mm (18-7/8")
HBGB-7218	1845 mm (72-5/8") – 1851 mm (72-7/8")	473 mm (18-5/8") – 480 mm (18-7/8")



Installation sur Comptoir du HBGB

Généralités

Procédez comme suit pour mettre sous tension et utiliser les modèles HBG et HBGB.

⚠ AVERTISSEMENT

Lire tous les messages de sécurité de la section Consignes de sécurité importantes avant d'utiliser ce matériel.

AVIS

N'allumez pas l'appareil avant de l'avoir nettoyé correctement. La surface en vitrocéramique devra être dépourvue de particules pour éviter leur carbonisation.

Ne pas glisser les plats sur la surface en verre, ne pas utiliser de plats à fond bombé et ne rien faire tomber sur la surface en verre. Risque de rayures ou de casse. L'endommagement de la surface en verre ou sa casse causés par une utilisation impropre ne sont pas couverts par la garantie.

Utilisez uniquement des lingettes, tampons et nettoyeurs spécialement conçus pour le nettoyage des surfaces en vitrocéramique. L'utilisation d'autres lingettes, tampons et nettoyeurs risque d'endommager la surface en vitrocéramique.

1. À l'aide d'une lingette nettoyante appropriée ou d'un chiffon humide, nettoyez la surface en vitrocéramique de l'appareil. Un nettoyage quotidien régulier facilitera le nettoyage en fin de journée et protégera et préservera la surface en vitrocéramique de l'appareil.

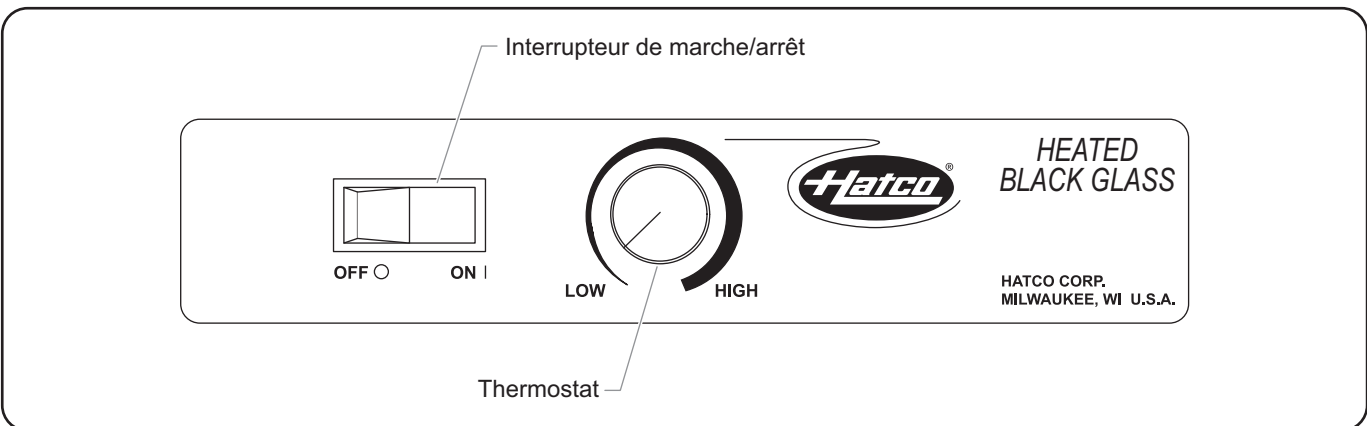
2. Brancher l'appareil sur une prise électrique correctement mise à la terre du type, de la taille et de la tension corrects. Voir des détails à la section CARACTÉRISTIQUES TECHNIQUES.
3. Placez l'interrupteur de marche/arrêt sur position Marche.

⚠ ATTENTION

DANGER DE BRÛLURE : Certaines surfaces extérieures de l'appareil deviennent chaudes. Toucher ces zones de l'appareil avec précaution.

4. Tournez le thermostat à la température désirée.
5. Attendez 30 minutes que l'appareil atteigne la température d'exploitation. Les étagères chauffantes en vitrocéramique noire ont un intervalle de température de 38 à 93 °C (100° to 200°F).

NOTA: Pour les informations d'installation et d'utilisation des modèles HBGB équipés du panneau de commande monté à distance en affleurement, reportez-vous à la section OPTIONS ET ACCESSOIRES.



Panneau de Commande Série

Généralités

Les étagères chauffantes en vitrocéramique ont été conçues pour une durabilité et une performance maximum et un minimum d'entretien.

AVERTISSEMENT

DANGER DE DÉCHARGE ÉLECTRIQUE :

- Éteignez l'appareil et débranchez le cordon d'alimentation de la prise secteur et laissez refroidir avant une maintenance ou un nettoyage.
- NE PAS immerger l'appareil ni le saturer d'eau. L'appareil n'est pas étanche à l'eau. Ne pas le faire fonctionner s'il a été immergé ou saturé d'eau.
- Ne pas nettoyer à la vapeur ni utiliser trop d'eau sur l'appareil.

Cet appareil ne contient aucune pièce réparable par l'utilisateur. Si cet appareil doit être réparé, contacter un réparateur Hatco agréé ou le Service après-vente Hatco au +1 414-671-6350 ; télécopieur +1 414-671-3976.

Nettoyage Quotidien

Une nettoyage quotidien régulier facilitera le nettoyage en fin de journée et protégera et préservera la surface en vitrocéramique. Veillez à utiliser uniquement des lingettes, tampons et nettoyants spécialement conçus pour le nettoyage des surfaces en vitrocéramique.

1. Avant la mise sous tension quotidienne de l'appareil, nettoyez la surface en vitrocéramique avec une lingette appropriée ou un chiffon humide.
2. À la fin de chaque journée :
 - a. Mettez l'appareil hors tension et laissez-le refroidir.
 - b. Nettoyez la surface en vitrocéramique avec une lingette de nettoyage appropriée ou un chiffon humide. Si un nettoyage supplémentaire est requis, suivez la procédure « Nettoyage des résidus carbonisés » dans cette section.

Nettoyage des résidus carbonisés

Pour nettoyer les résidus carbonisés, vous devrez peut-être utiliser un nettoyant pour vitrocéramique.

1. Laissez refroidir l'appareil.
2. Étalez quelques gouttes de nettoyant pour vitrocéramique sur la zone des résidus.
3. À l'aide d'une lingette appropriée, frottez la zone des résidus tout en appuyant au besoin.
4. S'il reste des résidus, répétez la procédure.
5. Une fois tous les résidus éliminés, faites briller l'ensemble de la surface à l'aide du nettoyant pour vitrocéramique et du papier absorbant.

Nettoyage des Déversements de Sucre Collants

1. Allumez l'appareil.
2. Tout en portant un gant de four, retirez le gros du déversement avec du papier absorbant.
3. Laissez refroidir l'appareil.
4. Suivez la procédure « Nettoyage des résidus carbonisés » de cette section pour éliminer le reste du déversement.
5. Ne réutilisez pas l'appareil avant d'avoir entièrement nettoyé la surface.

ATTENTION

Des piqûres ou renforcement dans la surface en vitrocéramique sont possibles suite à des déversements de sucre. Dans ce cas, la surface en vitrocéramique devra être remplacée. Pour éviter d'autres dégâts et des blessures possibles causées par le bris de verre, arrêtez immédiatement d'utiliser l'appareil et contactez un agent de maintenance agréé par Hatco.

Nettoyage des Marques Métalliques et des Rayures

Les marques métalliques et les rayures de casseroles peuvent généralement être nettoyées. Faites attention lorsque vous posez des casseroles sur la surface en vitrocéramique. Pour éviter les marques métalliques et les rayures, ne glissez pas les casseroles sur la surface en vitrocéramique.

1. Laissez refroidir l'appareil.
2. Étalez quelques gouttes de produit pour vitrocéramique sur la zone des marques.
3. À l'aide d'une lingette appropriée, frottez la zone marquée tout en appuyant au besoin.
4. S'il reste des marques métalliques et des rayures, répétez la procédure.

NOTA: Vérifiez le dessous de toutes les casseroles pour vous assurer qu'elles sont lisses et ne risquent pas de rayer la surface en vitrocéramique.

NOTA: Les dégâts causés par les déversements de sucre collants ou les dessous de casseroles rugueux ne sont pas sous garantie.

⚠ AVERTISSEMENT

La réparation de cet appareil doit être confiée exclusivement à du personnel qualifié. Les réparations par des personnes non qualifiées peuvent provoquer des décharges électriques et des brûlures.

⚠ AVERTISSEMENT

DANGER DE DÉCHARGE ÉLECTRIQUE: Débrancher le cordon d'alimentation ou mettre hors tension au coupe-circuit/disjoncteur et laisser refroidir l'appareil avant d'effectuer une maintenance ou un entretien.

Symptôme	Cause Probable	Solution
Appareil trop chaud.	Thermostat réglé trop haut.	Baissez le thermostat.
	Thermostat coincé en position Marche.	Contactez votre agent de maintenance agréé ou Hatco pour assistance.
	Appareil branché sur une alimentation inadaptée.	Assurez-vous auprès d'un personnel qualifié que l'alimentation correspond aux spécifications de l'appareil.
Appareil pas assez chaud.	Thermostat réglé trop bas.	Montez le thermostat.
	L'appareil est exposé à des courants d'air (conduites de climatisation ou ventilateurs d'échappement).	Éliminer les courants d'air ou déplacez l'appareil.
L'appareil ne fonctionne pas du tout.	Appareil non branché.	Brancher l'appareil sur une alimentation adéquate.
	L'appareil n'a pas été mis sous tension.	Placer l'interrupteur de marche/arrêt sur Marche.
	Interrupteur de marche/arrêt défectueux.	Contactez votre agent de maintenance agréé ou Hatco pour assistance.
	L'élément chauffant a grillé.	Contactez votre agent de maintenance agréé ou Hatco pour assistance.
	Thermostat défectueux.	Contactez votre agent de maintenance agréé ou Hatco pour assistance.

Vous avez des questions en ce qui concerne les pannes ?

Si le problème persiste, veuillez contacter l'agence d'entretien agréée Hatco la plus proche ou Hatco pour obtenir une assistance. Pour trouver l'agence d'entretien la plus proche, rendez-vous sur le site Internet de Hatco (www.hatcocorp.com) et cliquez sur Trouver un agent d'entretien, ou contactez l'équipe d'entretien et de pièces détachées de Hatco :

Numéro de

téléphone: 414-671-6350

Courriel: partsandservice@hatcocorp.com

Télécopie: 414-671-3976

OPTIONS ET ACCESSOIRES

Poignées (HBG Model)

Les poignées suivantes sont disponibles pour le HBG.

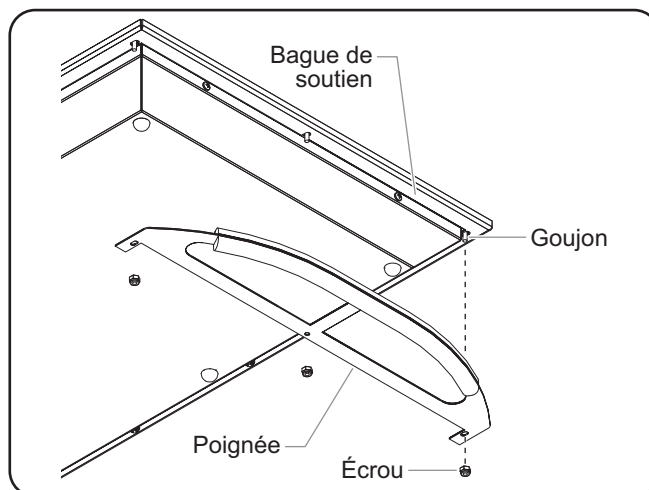
HANDLE-18-SS ...Poignées inox arrondies

HANDLE-18-BLK ..Poignées inox arrondies noires design à revêtement en poudre

Les poignées sont remplaçables sur site et installées à chaque extrémité de l'appareil en procédant comme suit.

À chaque extrémité de l'appareil :

1. Retirez les trois écrous sous la bague de soutien de la surface en vitrocéramique.
2. Alignez les trois trous de la poignée sur les trois goujons de la bague de soutien et placez la poignée sur les écrous.
3. Remettez les trois écrous sur les goujons et serrez bien.



Installation des Poignées

Panneau de Télécommande (HBGB Modèle)

Un panneau de commande monté à distance en affleurement est disponible en option installée à l'usine pour le HBGB. Installez ce panneau de commande sur site en procédant comme suit.

⚠ AVERTISSEMENT

DANGER DE DÉCHARGE ÉLECTRIQUE: Pour garantir un fonctionnement correct et sûr, le panneau de commande à distance doit être installé sur un mur vertical.

AVIS

Le panneau de télécommande doit être installé en dehors de la zone chauffée. Le positionnement du panneau de commande à l'intérieur de la zone chauffée entraînera la surchauffe, le dysfonctionnement et la panne des commandes.

Ne modifiez pas le câblage et ne coupez pas le fil du capillaire du thermostat sur le boîtier de commande pour augmenter la distance de montage à mi-distance. Le sectionnement du fil du capillaire du thermostat engendrera la surchauffe de l'appareil et risque d'endommager l'appareil, de même que le comptoir environnant.

NOTA: Un électricien qualifié est recommandé pour l'installation du panneau de télécommande.

1. Préparez la découpe et percez les avant-trous de vis.
2. Retirez le couvercle du panneau de télécommande.
3. Positionnez le panneau de commande dans l'ouverture par l'arrière.
4. Fixez le panneau de commande à la surface à l'aide des vis (non fournies).
5. Branchez le panneau de commande sur une prise électrique correctement mise à la terre du type, de la taille et de la tension corrects. Pour des détails, reportez-vous à la section CARACTÉRISTIQUES TECHNIQUES.
6. Remettez le couvercle.

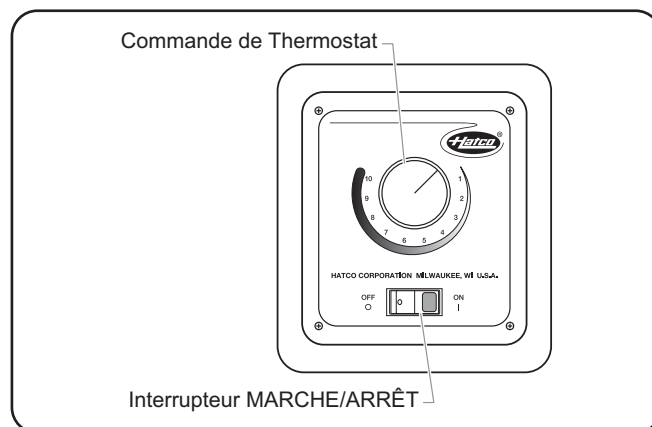
NOTA: Les appareils sont équipés d'un conduit flexible de 914 mm (3'), 1829 mm (6'), or 3048 mm (10') qui relie le panneau de commande à l'appareil.

Interrupteur d'alimentation I/O (marche / arrêt)

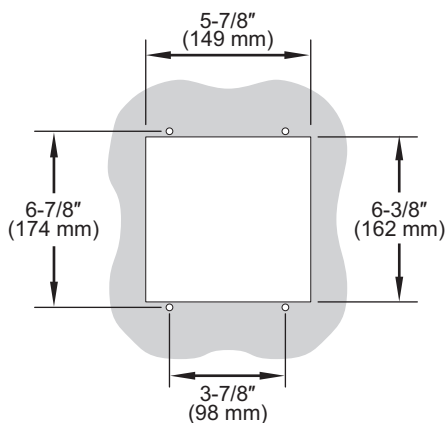
Les deux boîtiers de commande à distance encastrables intègrent un interrupteur d'alimentation I/O (marche/arrêt). Placez interrupteur d'alimentation I/O (marche/arrêt) sur la position I (marche) pour allumer l'appareil. Le témoin lumineux de l'interrupteur s'allume lorsque l'appareil est en marche.

Changer la température nominale — Contrôle mécanique de la température

Tournez le contrôle de la température dans le sens des aiguilles d'une montre pour augmenter la température nominale. Tournez le contrôle de la température dans le sens inverse des aiguilles d'une montre pour réduire la température nominale.



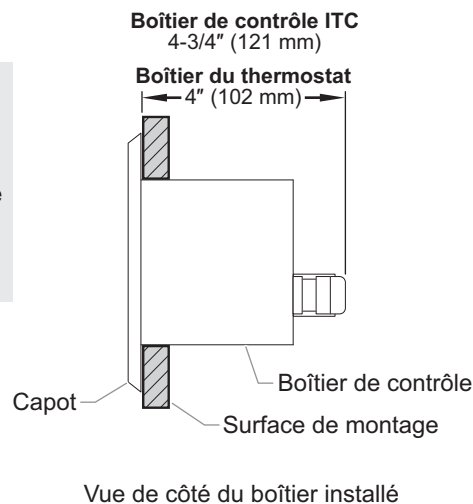
Contrôle mécanique de la température



Vue de Face de la Découpe

REMARQUE IMPORTANTE :

Assurez-vous que l'emplacement choisi présente assez de place pour les branchements électriques au boîtier électrique.



Vue de côté du boîtier installé

Boîtiers de commande montés à distance

Changer la température nominale — Régulateur numérique de la température

Une fois allumés, les appareils munis du régulateur numérique de la température chaufferont automatiquement jusqu'à la température nominale. Suivez la procédure ci-après pour programmer la température nominale.

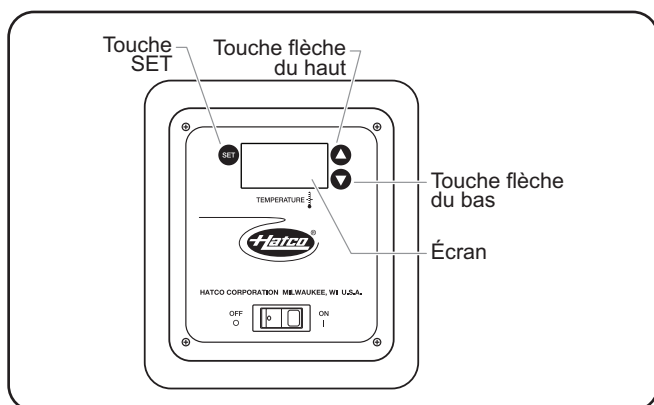
AVIS

Les appareils intégrés ne doivent pas atteindre un point de consigne de température supérieur à 93 °C (200 °F). Les températures dépassant les 93 °C (200 °F) endommagent l'appareil et annulent la garantie.

NOTA: La température affichée à l'écran peut s'avérer inexacte lorsque la température de l'appareil est inférieure à 54 °C (130 °F).

1. Appuyez 3 fois sur la touche . La température nominale actuelle s'affichera sur l'écran TEMPÉRATURE (le signe « SP » s'affichera après la deuxième pression).
2. Appuyez sur la touche ou dans les 10 secondes pour modifier la température nominale.
3. Appuyez sur la touche pour verrouiller la nouvelle température nominale. L'affichage TEMPÉRATURE restera vierge pendant deux secondes puis indiquera que les nouveaux paramètres ont été acceptés.

NOTA: Après dix secondes d'inactivité au cours de la programmation, le régulateur quittera automatiquement le mode programmation sans mémoriser la nouvelle valeur.



Régulateur de température numérique

Alternance entre l'affichage Fahrenheit et Celsius — Régulateur numérique de la température

Utilisez la procédure ci-après pour alterner entre l'affichage Fahrenheit et Celsius.

1. Appuyez une fois sur la touche . Saisissez « F » pour un affichage en Fahrenheit ou « C » pour un affichage en Celsius.
2. Appuyez sur la touche ou dans les 10 secondes pour alterner entre l'affichage « F » (Fahrenheit) et « C » (Celsius).
3. Appuyez trois fois sur la touche pour verrouiller le nouveau paramètre. L'affichage TEMPÉRATURE restera vierge pendant deux secondes puis indiquera que les nouveaux paramètres ont été acceptés.

NOTA: Après dix secondes d'inactivité au cours de la programmation, le régulateur quittera automatiquement le mode programmation sans mémoriser la nouvelle valeur.

Pieds réglables de 102 mm (HBG Modèle)

Procédez comme suit pour installer les pieds réglables de 102 mm (4") à la place des pieds en caoutchouc sur un modèle HBG.

NOTA: Des pieds de 102 mm (4") sont inclus avec les modèles de plus de 1 041 mm (36") de largeur.

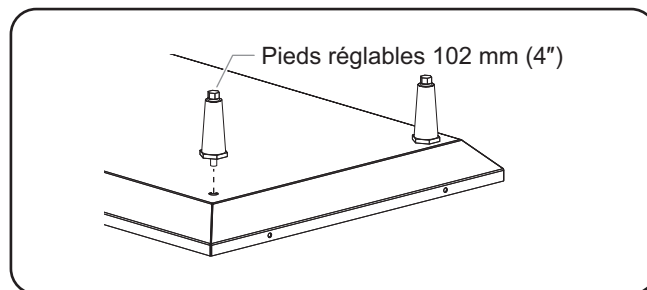
AVERTISSEMENT

DANGER DE DÉCHARGE ÉLECTRIQUE: Éteignez l'appareil et débranchez le cordon d'alimentation de la prise secteur et laissez refroidir avant une maintenance ou un nettoyage.

AVIS

Ne pas poser l'appareil sur le côté du panneau de commande sous peine de l'endommager.

1. Éteignez l'appareil, débranchez le cordon d'alimentation et laissez refroidir l'appareil.
2. Retournez l'appareil avec précaution et posez-le sur une surface plane. Veillez à couvrir la surface avec quelque chose pour éviter de rayer la vitrocéramique.
3. À chaque coin de la base, enlevez la vis du pied puis le pied en caoutchouc.



Installation des pieds de 102 mm (4")

4. À chaque coin de la base, vissez un pied de 102 mm (4") sur le dessous de la base.

NOTA: Les pieds de 102 mm (4") sont réglables pour mettre à niveau l'appareil. Utiliser une clé à fourche de 16 mm (5/8") pour effectuer des réglages de mise à niveau une fois que l'appareil est placé dans sa position finale.

1. GARANTIE DU PRODUIT

Hatco garantit que les produits qu'il fabrique (les " produits ") seront dépourvus de vices de matériel, dans des conditions normales d'utilisation et de maintenance, pendant une période d'un (1) an à partir de la date d'achat à condition qu'ils soient installés et entretenus conformément aux instructions écrites de Hatco ou de 18 mois à partir de la date d'expédition de l'usine Hatco. L'acheteur doit prouver la date d'achat du Produit par l'enregistrement du produit auprès de Hatco ou par d'autres moyens satisfaisants pour Hatco, à sa seule discrétion.

Hatco garantit que les composants du produit suivant ne présentent aucuns défauts dans les matériaux employés pour leur construction, à partir de la date d'achat (sujet aux conditions en vigueur), pour la (les) période(s) de temps listées ci-dessous:

a) Deux (2) ans de garantie des pièces :

Les éléments de grille-pain de la rampe (gaine métallique)
 Éléments de tiroir chauffant (gaine métallique)
 Tiroir chauffant Rouleaux chauffants et Glissières
 Éléments de rampe chauffante (gaine métallique)
 Vitrine chauffante (gaine métallique, chauffage par air)
 Éléments d'armoire de stockage
 (gaine métallique, chauffage par air)
 Éléments de puits chauffant intégrés — des séries HWB
 (gaine métallique)

b) Cinq (5) ans de garantie des pièces :

Réservoirs 3CS et FR

c) Dix (10) ans de garantie des pièces :

Chauffe-eau d'appoint électriques
 Chauffe-eau d'appoint au gaz

d) Quatre-vingt dix (90) jours de garantie des pièces :

Pièces détachées de rechange

LES GARANTIES PRÉ-CITÉES SONT EXCLUSIVES ET EN LIEU DE TOUTES AUTRES GARANTIES, EXPRIMÉES OU IMPLICITES, INCLUANT MAIS NON LIMITÉ À TOUTE GARANTIE COMMERCIALE OU DE COMPATIBILITÉ POUR UN PROPOS PARTICULIER OU TOUTE VIOLATION DE BREVET OU AUTRE DROIT DE PROPRIÉTÉ INTELLECTUELLE. Sans limitation quand aux garanties pré-citées, DE TELLES GARANTIES NE COUVRENT PAS: Les ampoules à incandescence enduites, les lampes fluorescentes, les ampoules de lampes chauffantes, les ampoules halogènes enduites, les ampoules chauffantes halogènes, Ampoules au xénon, tubes à DEL, les éléments en verre et les fusibles; la défaillance de produit dans le réservoir d'appoint, l'échangeur de chaleur à tube fin, ou d'autres équipements de chauffage d'eau provoquée par le collage, l'accumulation de sédiments , les attaques chimiques ou le gel, ou une mauvaise utilisation, manipulation ou application du produit, une mauvaise installation, ou l'application de tension inadaptée.

2. LIMITATION DES REMÈDES ET DOMMAGES

La responsabilité de Hatco et le recours exclusif de l'acheteur ci-dessous seront limités seulement au remplacement de tout ou partie du produit en utilisant, au choix de Hatco, les pièces neuves ou remises à neuf ou le produit par Hatco ou un organisme de réparations agréé Hatco à l'égard de toute réclamation faite dans le délai de la garantie applicable mentionnée ci-dessus. Hatco se réserve le droit d'accepter ou de rejeter toute réclamation de ce type en tout ou partie. Dans le contexte de cette garantie limitée, « remis à neuf » signifie qu'une pièce ou un produit a été ramené à ses caractéristiques techniques par Hatco ou par un centre de réparation agréé par Hatco. Hatco n'acceptera pas le renvoi de tel produit que ce soit sans une autorisation écrite préalable de Hatco, et les coûts d'expédition des renvois approuvés sont à la charge exclusive de l'acheteur. HATCO NE PEUT ÊTRE TENU RESPONSABLE, SOUS AUCUNE CIRCONSTANCE, POUR DES DOMMAGES CONSÉCUTIFS OU INCIDENTS, INCLUANT MAIS NON LIMITÉS AU COÛT DE LA MAIN D'ŒUVRE OU A LA PERTE DE PROFIT RÉSULTANT DE L'UTILISATION OU DE L'IMPOSSIBILITÉ D'UTILISER LES PRODUITS OU DU FAIT QUE LE PRODUIT SOIT INCORPORÉ OU DEVIENNE UN COMPOSANT D'UN AUTRE PRODUIT OU MARCHANDISE.

INFORMATIONS DE SERVICE

La garantie Les étagères chauffantes en vitrocéramique noire est d'un an à partir de la date d'achat ou de 18 mois à partir de la date d'expédition de Hatco, selon la première échéance.

En cas de problème avec le étagères chauffantes en vitrocéramique noire durant la période de garantie, procéder comme suit:

Contactez un Revendeur Hatco

Se tenir prêt à lui fournir les informations suivantes pour garantir un traitement rapide:

- Modèle
- Numéro de Série (situées en bas de l'appareil)
- Problème Spécifique
- Date d'achat
- Nom de l'entreprise
- Adresse d'expédition
- Nom de la Personne à Contacter et Téléphone

Ensuite, le Revendeur Hatco:

- Fournira les pièces détachées requises
- Enverra la réclamation sous garantie à Hatco pour traitement

Problèmes non liés à la garantie

En cas de problème hors garantie exigeant une assistance, contactez le centre de SAV agréé par Hatco le plus proche.

Pour trouver le centre de SAV le plus proche :

- allez sur notre site Web www.hatcocorp.com, sélectionnez le menu déroulant Resources, puis cliquez sur « Find Service Agent/Distributor ».
- appelez le SAV Hatco au 414-671-6350.
- envoyez un courriel au SAV Hatco à partsandservice@hatcocorp.com

Informazioni Importanti per il Proprietario.....	54	Funzionamento	61
Introduzione	54	Informazioni Generali.....	61
Importanti Informazioni Sulla Sicurezza	55	Manutenzione	62
Descrizione dei Modelli.....	56	Informazioni Generali.....	62
Tutti i modelli.....	56	Pulizia giornaliera	62
Modelli HBG.....	56	Pulizia di residui bruciati	62
Modelli HBGB	56	Pulizia di versamenti zuccherati	62
Designazione del Modello.....	56	Pulizia di segni e graffi metallici.....	62
Dati Tecnici.....	56	Guida alla Soluzione dei Problemi.....	63
Configurazioni delle Spine	56	Opzioni e Accessori	63
Tabella dei Valori Elettrici Nominali.....	57	Garanzia Limitata Internazionale.....	66
Dimensioni	58	Informazioni Sugli Interventi in Garanzia.....	66
Installazione	59		
Informazioni Generali.....	59		
Modelli HBG.....	59		
Modelli HBGB	59		

INFORMAZIONI IMPORTANTI PER IL PROPRIETARIO

Indicare il numero del modello, il numero di serie (sitate sul fondo dell'unità), la tensione di alimentazione e la data di acquisto della propria unità negli spazi di seguito. Queste informazioni dovranno essere fornite nel momento in cui verrà richiesta l'assistenza Hatco.

N. del modello _____

N. di serie _____

Tensione di alimentazione _____

Data di acquisto _____

Registrazione l'unità!

Completando la registrazione della garanzia online si eviteranno ritardi nell'inizio della copertura. Visitare il sito Hatco all'indirizzo www.hatcocorp.com, selezionare il menu "Parts & Service" e fare clic su "Warranty Registration".

Orario d'ufficio: dalle 7 alle 17
 Fuso orario centrale degli USA
 (Orario estivo: da giugno a settembre—dalle 7 alle 17 fuso orario centrale degli USA da lunedì a giovedì dalle 7 alle 16.00 fuso orario centrale degli USA il venerdì)

Telefono: 414-671-6350
 E-mail: partsandservice@hatcocorp.com
 Fax: 414-671-3976 (Parts and Service)

Si possono ottenere informazioni supplementari visitando il nostro sito Web all'indirizzo www.hatcocorp.com.



Corretto smaltimento di questo prodotto
 Questo contrassegno indica che il prodotto e i relativi componenti elettronici non devono essere smaltiti insieme ad altri rifiuti commerciali. Per prevenire possibili danni all'ambiente o alla salute causati da uno smaltimento non adeguato, riciclare in modo responsabile per promuovere il riutilizzo sostenibile delle risorse materiali. Per smaltire questo prodotto e i relativi componenti elettronici, contattare il fornitore presso cui è stato acquistato per informazioni sulle modalità di riciclaggio sicure per l'ambiente.

INTRODUZIONE

I ripiani in vetro nero riscaldati Hatco sono progettati per sorreggere in modo sicuro il cibo caldo, adeguandosi perfettamente all'arredo circostante. Mantengono il cibo alle corrette temperature di servizio senza comprometterne la qualità. Queste unità sono caratterizzate da una base in vetro riscaldata, controllata da termostato, che estende i tempi di conservazione degli alimenti.

Gli ripiani in vetro nero riscaldati sono il frutto di un'ampia ricerca e di test sul campo. I materiali impiegati sono stati selezionati per ottimizzarne la durevolezza, l'estetica e le prestazioni. Ogni unità viene ispezionata e collaudata prima della spedizione.

Il presente manuale contiene le istruzioni per l'installazione, l'uso e la sicurezza dei ripiani in vetro nero riscaldati. Si consiglia di leggere tutte le istruzioni di installazione, operative e di sicurezza contenute nel presente manuale prima di installare o utilizzare l'unità.

Le informazioni di sicurezza del presente manuale sono segnalate con le seguenti scritte:

AVVERTENZA

AVVERTENZA indica una situazione pericolosa che se non viene evitata può causare lesioni gravi o letali.

ATTENZIONE

ATTENZIONE indica una situazione pericolosa che se non viene evitata può causare lesioni lievi o moderate.

AVVISO

AVVISO serve a indicare situazioni che non riguardano lesioni della persona.



Leggere le seguenti importanti informazioni sulla sicurezza, al fine di evitare infortuni gravi o anche fatali, ed evitare danni alle apparecchiature o alle cose.

AVVERTENZA

PERICOLO DI SCOSSA ELETTRIC:

- Collegare l'unità a una presa elettrica opportunamente messa a terra e di corretta tensione e configurazione di spina. Se la spina e la presa non corrispondono, mettersi in contatto con un elettricista qualificato per stabilire la tensione corretta e installare la presa elettrica della misura giusta.
- Spegnerne, scollegare il cavo di alimentazione e lasciare raffreddare l'unità prima di eseguire ogni intervento di manutenzione o pulizia.
- **NON** immergere in acqua o inzuppare d'acqua. L'unità non è impermeabile. Non usare l'unità se è stata immersa in acqua o inzuppata d'acqua.
- L'unità non è a prova di intemperie. Sistemare l'unità al chiuso in un posto in cui la temperatura ambiente sia un minimo di 21 °C (70 °F).
- Non pulire a vapore o usare una quantità eccessiva d'acqua sull'unità.
- La costruzione di questa unità non è a prova di getto. Non usare spruzzi a getto per pulire l'unità.
- Non tirare l'unità dal cavo di alimentazione.
- Smettere di usare l'unità se il cavo di alimentazione si consuma o si logora.
- Non cercare di riparare o sostituire un cavo di alimentazione danneggiato. Il cavo di alimentazione deve essere sostituito da parte di Hatco, un rappresentante di servizio autorizzato Hatco o una persona con simili qualifiche professionali.
- Non pulire l'unità quando è sotto tensione o calda.
- Nell'eseguire interventi sull'unità usare solo pezzi di ricambio originali di Hatco. Ogni inadempienza nell'uso di pezzi di ricambio originali Hatco renderà nulle le garanzie e può determinare tensioni elettriche pericolose per gli operatori generando scosse elettriche o ustioni. I pezzi di ricambio originali di Hatco sono necessari per un funzionamento sicuro negli ambienti d'uso previsti. Alcuni pezzi di ricambio generici o di altri produttori non possiedono le stesse caratteristiche e non consentono il funzionamento degli apparecchi Hatco in condizioni di sicurezza.

PERICOLO DI INCENDIO: Sistemare l'unità a un minimo di 25 mm (1 pollice) da pareti o materiali infiammabili. Se non si mantengono le distanze di sicurezza, l'unità può scolorirsi o bruciare.

Verificare che il prodotto alimentare sia stato riscaldato alla temperatura più adatta prima di introdurlo nell'unità. Ogni inadempienza nel riscaldamento dei prodotti alimentari può comportare gravi rischi per la salute. Questa unità è indicata unicamente per il contenimento di alimenti preriscaldati.

Assicurarsi che tutti gli operatori siano stati istruiti sull'uso sicuro e appropriato dell'unità.

Questa unità non contiene parti su cui "l'utente" può intervenire. Se l'unità richiede un intervento di assistenza mettersi in contatto con un Agente di assistenza autorizzato di Hatco o con il Reparto di assistenza di Hatco al numero telefonico 414-671-6350; fax 414-671-3976.

AVVERTENZA

Questa unità non è destinata all'uso da parte di bambini o persone con facoltà fisiche, sensoriali o mentali ridotte. Sorvegliare opportunamente i bambini e tenerli lontani dall'unità.

ATTENZIONE

PERICOLO DI USTIONE: Alcune superfici esterne dell'unità diventano molto calde. Fare attenzione quando si toccano queste aree.

Sistemare l'unità su di un banco di altezza adatta in un'area che sia pratica per l'uso. La posizione dovrebbe essere in piano, per evitare che l'unità e il suo contenuto possano rovesciarsi, e forte a sufficienza da supportare il peso dell'unità stessa e del suo contenuto.

Non azionare i modelli integrati senza la scatola di controllo installata correttamente, così come descritto nelle Istruzioni di installazione.

La National Sanitation Foundation (NSF) impone l'isolamento per tutte le unità di oltre 914 mm (36") di larghezza o il sollevamento sopra la superficie d'installazione delle unità che pesino più di 36 kg (80 lb). Se fosse impossibile isolare la cabina nel punto di utilizzo, installare le gambe di 102 mm (4") accluse per consentire una pulizia adeguata sotto l'unità.

I versamenti di sostanze zuccherose potrebbero causare intaccature sulla superficie del vetro. Se ciò dovesse verificarsi, è necessario sostituire la superficie. Onde evitare ulteriori danni e possibili lesioni personali causate dalla rottura del vetro, smettere immediatamente di utilizzare l'unità e rivolgersi a un rappresentante di servizio Hatco autorizzato.

AVVISO

Le unità integrate sono progettate per l'uso con piani di lavoro metallici. I danni al materiale del piano di lavoro non metallico non sono coperti dalla garanzia Hatco.

Non modificare i cablaggi né tagliare il filo capillare del termostato sulla scatola di controllo per aumentare la distanza di montaggio semi-remota. Tagliare il filo capillare del termostato causa il surriscaldamento dell'unità e potrebbe danneggiare la stessa, nonché il piano di lavoro circostante.

Non accendere l'unità finché non è stata pulita scrupolosamente. La superficie di vetroceramica deve essere libera da eventuali residui onde evitare la formazione di bruciature.

Non appoggiare l'unità sul lato con il pannello dei controlli perché così facendo si potrà danneggiare l'unità.

Non fare scivolare le teglie sulla superficie di vetro, non utilizzare teglie con fondo ruvido né lasciare cadere alcunché sulla superficie di vetro che potrebbe graffiarsi o rompersi. I danni o la rottura della superficie di vetro per negligenza dell'operatore non sono coperti da garanzia.

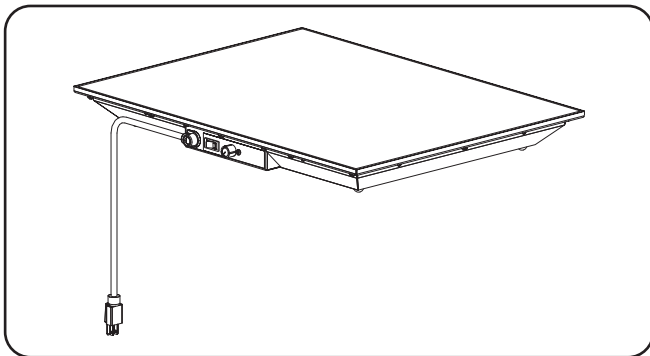
Utilizzare esclusivamente spugnette, panni e detersivi studiati specificamente per la pulizia delle superfici in vetroceramica. L'utilizzo di prodotti analoghi non idonei potrebbe danneggiare la superficie di vetroceramica.

Tutti i modelli

Tutti i ripiani in vetro nero riscaldati sono ideali per le aree di passaggio, i buffet e l'esposizione degli antipasti. La National Sanitation Foundation (NSF) approva e consente la collocazione degli alimenti direttamente sulla superficie di vetro. L'attrezzatura standard comprende un interruttore ON/OFF illuminato, un piano di vetroceramica controllato da termostato e una base di acciaio verniciato. I ripiani in vetro nero riscaldati hanno un intervallo di temperatura compreso tra 38° e 93°C (100° ~ 200°F).

Modelli HBG

Il ripiano in vetro nero riscaldato HBG è un ripiano portatile con cavo di alimentazione da 1829 mm (6') dotato di spina. L'unità portatile è disponibile in sei modelli: HBG-2418, HBG-3018, HBG-3618, HBG-4818, HBG-6018 e HBG-7218.

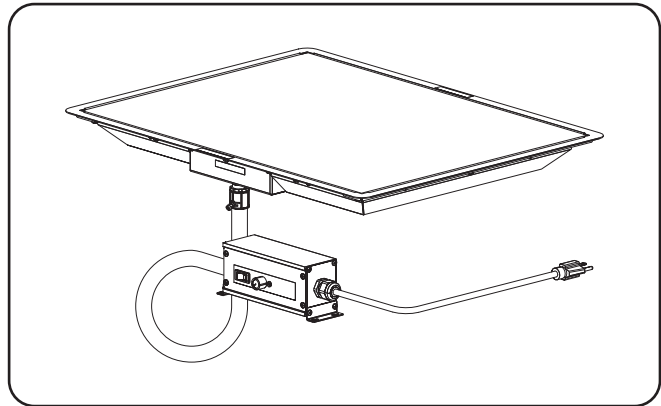


Modello HBG

Modelli HBGB

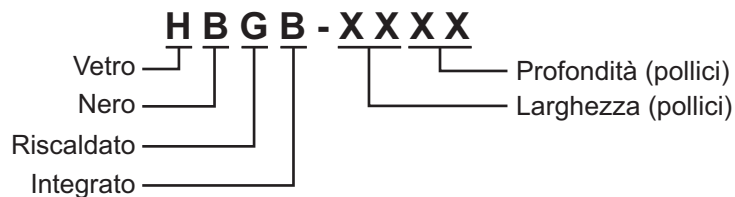
Il ripiano in vetro nero riscaldato HBGB è un'unità integrata dotata di anello di montaggio decorativo. L'unità comprende una scatola di controllo remoto collegata con una canalina di 914 mm (3'). Un cavo di 1829 mm (6') con spina collega la scatola di controllo remoto alla fonte di alimentazione.

Le unità integrate sono disponibili in sei modelli: HBGB-2418, HBGB-3018, HBGB-3618, HBGB-4818, HBGB-6018 e HBGB-7218.



Modello HBGB

DESIGNAZIONE DEL MODELLO



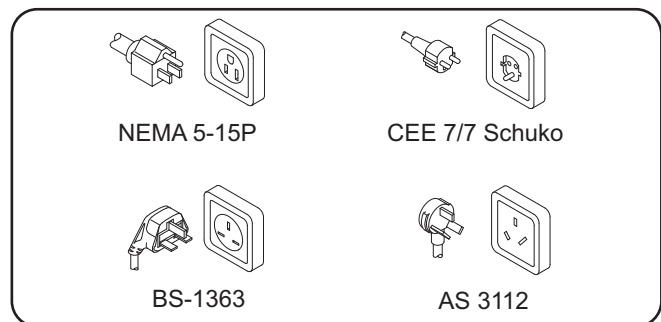
SPECIFICATIONS

Configurazioni delle spine

Ciascun apparecchio viene fornito dalla fabbrica con cavo di alimentazione e spina installati. Le spine sono fornite in base alle applicazioni.



PERICOLO DI SCOSSA ELETTRIC: Collegare l'unità a una presa elettrica opportunamente messa a terra e di corretta tensione e configurazione di spina. Se la spina e la presa non corrispondono, mettersi in contatto con un elettricista qualificato per stabilire la tensione corretta e installare la presa elettrica della misura giusta.



Configurazioni delle spine

NOTA: Presa non fornita da Hatco.

Tabella di corrispondenza elettrica — Modelli HBG

Modello	Tensione	Watts	Ampere	Configurazione della Spina	Peso di Spedizione
HBG-2418	100	425	4.3	NEMA 5-15P	10 kg (22 lbs.)
	220-230 (CE)	420-459	1.9-2.0	CEE 7/7 Schuko	10 kg (22 lbs.)
	230-240 (CE)	459-500	2.0-2.1	BS-1363 o AS 3112 *	10 kg (22 lbs.)
HBG-3018	100	525	5.3	NEMA 5-15P	12 kg (27 lbs.)
	220-230 (CE)	525-574	2.4-2.5	CEE 7/7 Schuko	12 kg (27 lbs.)
	230-240 (CE)	574-625	2.5-2.6	BS-1363 o AS 3112 *	12 kg (27 lbs.)
HBG-3618	100	630	6.3	NEMA 5-15P	15 kg (32 lbs.)
	220-230 (CE)	630-689	2.9-3.0	CEE 7/7 Schuko	15 kg (32 lbs.)
	230-240 (CE)	689-750	3.0-3.1	BS-1363 o AS 3112 *	15 kg (32 lbs.)
HBG-4818	100	850	8.5	NEMA 5-15P	20 kg (44 lbs.)
	220-230 (CE)	840-918	3.8-4.0	CEE 7/7 Schuko	20 kg (44 lbs.)
	230-240 (CE)	918-1000	4.0-4.2	BS-1363 o AS 3112 *	20 kg (44 lbs.)
HBG-6018	100	1050	10.5	NEMA 5-15P	25 kg (54 lbs.)
	220-230 (CE)	1050-1148	4.8-5.0	CEE 7/7 Schuko	25 kg (54 lbs.)
	230-240 (CE)	1148-1250	5.0-5.2	BS-1363 o AS 3112 *	25 kg (54 lbs.)
HBG-7218	100	1260	12.6	NEMA 5-15P	29 kg (64 lbs.)
	220-230 (CE)	1260-1378	5.7-6.0	CEE 7/7 Schuko	29 kg (64 lbs.)
	230-240 (CE)	1378-1500	6.0-6.3	BS-1363 o AS 3112 *	29 kg (64 lbs.)

Tabella di corrispondenza elettrica — Modelli HBGB

Modello	Tensione	Watts	Ampere	Configurazione della Spina	Peso di Spedizione
HBGB-2418	100	425	4.3	NEMA 5-15P	12 kg (27 lbs.)
	220-230 (CE)	420-459	1.9-2.0	CEE 7/7 Schuko	12 kg (27 lbs.)
	230-240 (CE)	459-500	2.0-2.1	BS-1363 o AS 3112 *	12 kg (27 lbs.)
HBGB-3018	100	525	5.3	NEMA 5-15P	15 kg (32 lbs.)
	220-230	1050-1147	4.8-5.0	CEE 7/7 Schuko	15 kg (32 lbs.)
	220-230 (CE)	525-574	2.4-2.5	CEE 7/7 Schuko	15 kg (32 lbs.)
	230-240	1147-1249	5.0-5.2	CEE 7/7 Schuko	15 kg (32 lbs.)
	230-240 (CE)	574-625	2.5-2.6	BS-1363 o AS 3112 *	15 kg (32 lbs.)
HBGB-3618	100	630	6.3	NEMA 5-15P	17 kg (37 lbs.)
	220-230 (CE)	630-689	2.9-3.0	CEE 7/7 Schuko	17 kg (37 lbs.)
	230-240 (CE)	689-750	3.0-3.1	BS-1363 o AS 3112 *	17 kg (37 lbs.)
HBGB-4818	100	850	8.5	NEMA 5-15P	25 kg (54 lbs.)
	220-230 (CE)	840-918	3.8-4.0	CEE 7/7 Schuko	25 kg (54 lbs.)
	230-240 (CE)	918-1000	4.0-4.2	BS-1363 o AS 3112 *	25 kg (54 lbs.)
HBGB-6018	100	1050	10.5	NEMA 5-15P	29 kg (64 lbs.)
	220-230 (CE)	1050-1148	4.8-5.0	CEE 7/7 Schuko	29 kg (64 lbs.)
	230-240 (CE)	1148-1250	5.0-5.2	BS-1363 o AS 3112 *	29 kg (64 lbs.)
HBGB-7218	100	1260	12.6	NEMA 5-15P	34 kg (74 lbs.)
	220-230 (CE)	1260-1378	5.7-6.0	CEE 7/7 Schuko	34 kg (74 lbs.)
	230-240 (CE)	1378-1500	6.0-6.3	BS-1363 o AS 3112 *	34 kg (74 lbs.)

* Spina AS 3112 per il solo utilizzo in Australia.

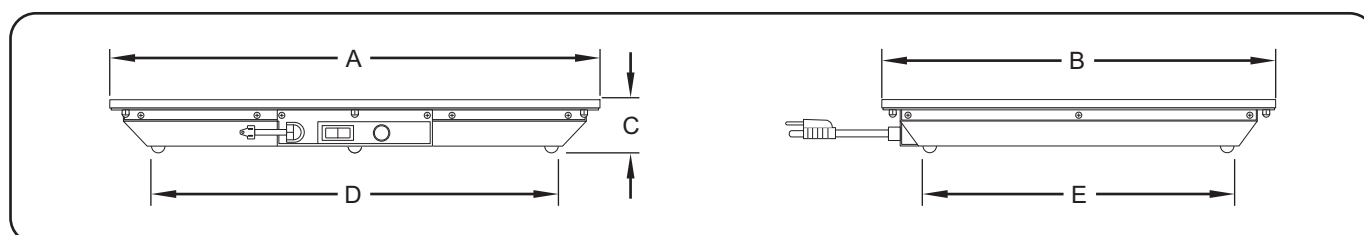
NOTA: Il peso di spedizione comprende l'imballaggio.

Dimensioni — Modelli HBG

Modello	Larghezza (A)	Profondità (B)	Altezza (C)†	Larghezza d'igombro (D)	Profondità d'igombro (E)
HBG-2418	618 mm (24-3/8")	466 mm (18-3/8")	61 mm (2-7/16")	501 mm (19-3/4")	349 mm (13-3/4")
HBG-3018	771 mm (30-3/8")	466 mm (18-3/8")	61 mm (2-7/16")	654 mm (25-3/4")	349 mm (13-3/4")
HBG-3618	923 mm (36-3/8")	466 mm (18-3/8")	61 mm (2-7/16")	806 mm (31-3/4")	349 mm (13-3/4")
HBG-4818 †	1228 mm (48-3/8")	466 mm (18-3/8")	155 mm (6-1/8")	1086 mm (42-3/4")	324 mm (12-3/4")
HBG-6018 †	1533 mm (60-3/8")	466 mm (18-3/8")	155 mm (6-1/8")	1390 mm (54-3/4")	324 mm (12-3/4")
HBG-7218	1838 mm (72-3/8")	466 mm (18-3/8")	155 mm (6-1/8")	1695 mm (66-3/4")	324 mm (12-3/4")

NOTA: L'etichetta delle specifiche è collocata sulla parte inferiore dell'unità. Vedere l'etichetta per le informazioni relative al numero di serie e verificare i dati elettrici dell'unità.

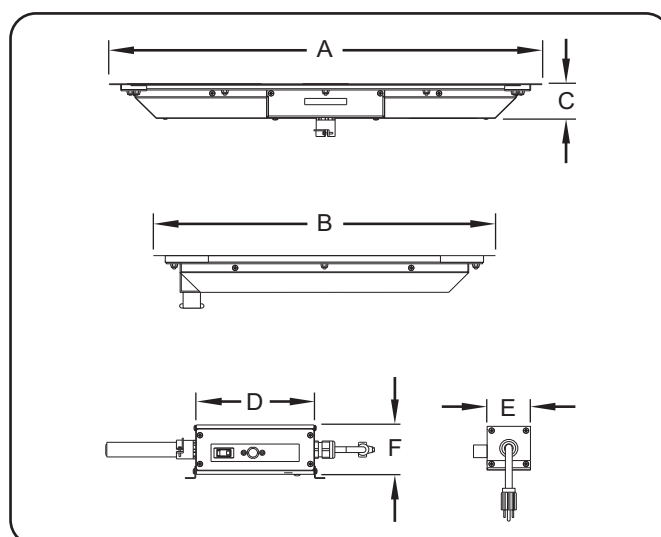
† L'altezza comprende le gambe di 102 mm (4").



HBG Dimensioni

Dimensioni — Modelli HBGB

Modelo	Larghezza (A)	Profondeur (B)	Hauteur (C)
HBGB-2418	651 mm (25-5/8")	498 mm (19-5/8")	55 mm (2-3/16")
HBGB-3018	803 mm (31-5/8")	498 mm (19-5/8")	55 mm (2-3/16")
HBGB-3618	955 mm (37-5/8")	498 mm (19-5/8")	55 mm (2-3/16")
HBGB-4818	1260 mm (49-5/8")	498 mm (19-5/8")	55 mm (2-3/16")
HBGB-6018	1565 mm (61-5/8")	498 mm (19-5/8")	55 mm (2-3/16")
HBGB-7218	1870 mm (73-5/8")	498 mm (19-5/8")	55 mm (2-3/16")



HBGB Dimensioni

Scatola Remota

Larghezza (D)	Profondeur (E)	Hauteur (F)
178 mm (7")	64 mm (2-1/2")	76 mm (3")

Informazioni generali

I modelli Serv-Rite™ SRBW-1 e SRGBW-1 vengono spediti con la maggioranza dei componenti preassemblati. La protezione antistarnuto in vetro deve essere installata sul posto. I modelli Serv-Rite SRB-1 e SRG-1 sono interamente preassemblati in fabbrica e spediti pronti per l'uso. Aver cura di non danneggiare l'unità e i suoi componenti nell'estrarla dall'imballaggio.

⚠ AVVERTENZA

PERICOLO DI SCOSSA ELETTRIC: L'unità non è a prova di intemperie. Sistemare l'unità al chiuso in un posto in cui la temperatura ambiente sia un minimo di 21 °C (70 °F).

PERICOLO DI INCENDIO: Sistemare l'unità a un minimo di 25 mm (1 pollice) da pareti o materiali infiammabili. Se non si mantengono le distanze di sicurezza, l'unità può scolorirsi o bruciare.

⚠ ATTENZIONE

Sistemare l'unità su di un banco di altezza adatta in un'area che sia pratica per l'uso. La posizione dovrebbe essere in piano, per evitare che l'unità e il suo contenuto possano rovesciarsi, e forte a sufficienza da supportare il peso dell'unità stessa e del suo contenuto.

AVVISO

Non appoggiare l'unità sul lato con il pannello dei controlli perché così facendo si potrà danneggiare l'unità.

Modelli HBG

1. Rimuovere l'unità dalla scatola.
2. Rimuovere il nastro e la pellicola protettiva da tutte le superfici dell'unità.

NOTA: Se sono necessarie le gambe di 102 mm (4"), consultare la sezione OPZIONI E ACCESSORI della presente manuale per le istruzioni di installazione. Le gambe di 102 mm sono comprese con i modelli con larghezza superiore a 1041 mm (36").

3. Sistemare l'unità nella posizione desiderata.
 - Sistemare l'unità in un'area in cui la temperatura ambiente sia costante e con un valore minimo di 21°C (70°F). Evitare i luoghi soggetti a flussi e correnti d'aria attivi (ossia, in prossimità di condotti dell'aria condizionata o condotte aspiranti).
 - Accertarsi che l'unità sia su di un banco di altezza adatta in un'area pratica per l'uso.
 - Accertarsi che il ripiano del banco sia in piano e sufficientemente robusto da supportare l'unità e i prodotti alimentari.
 - Accertarsi che tutti i piedi sul fondo dell'unità si posizionino in modo sicuro sul ripiano del banco.
4. Installare gli eventuali accessori in dotazione con l'unità. Per ulteriori dettagli, consultare la sezione OPZIONI E ACCESSORI.

Modelli HBGB

⚠ ATTENZIONE

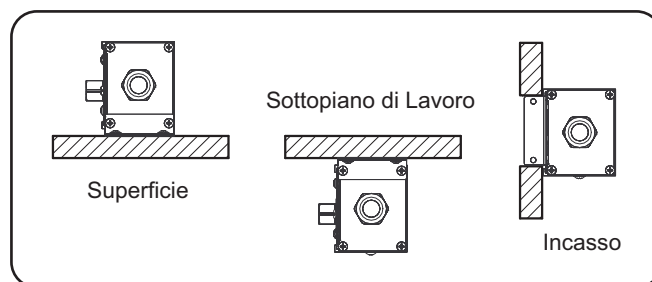
Non azionare i modelli integrati senza la scatola di controllo installata correttamente, così come descritto nelle Istruzioni di installazione.

La National Sanitation Foundation (NSF) impone l'isolamento per tutte le unità di oltre 914 mm (36") di larghezza o il sollevamento sopra la superficie d'installazione delle unità che pesino più di 36 kg (80 lb). Se fosse impossibile isolare la cabina nel punto di utilizzo, installare le gambe di 102 mm (4") accluse per consentire una pulizia adeguata sotto l'unità.

AVVISO

Le unità integrate sono progettate per l'uso con piani di lavoro metallici. I danni al materiale del piano di lavoro non metallico non sono coperti dalla garanzia Hatco.

1. Rimuovere l'unità dalla scatola.
2. Rimuovere il nastro e la pellicola protettiva da tutte le superfici dell'unità.
3. Preparare l'apertura del piano di lavoro. Consultare la tabella "Apertura del piano di lavoro" in questa sezione per le relative dimensioni raccomandate.
4. Applicare una goccia di sigillante omologato NSF sul bordo superiore dell'apertura del piano di lavoro e sulla parte inferiore dell'anello di montaggio decorativo. Il sigillante deve essere classificato per l'uso a una temperatura minima di 121°C (250°F).
5. Posizionare l'unità nell'apertura del piano di lavoro.
6. Rimuovere eventuale eccesso di sigillante.
7. Posizionare il montaggio della scatola di controllo remoto in un'area comoda per l'azionamento. Se necessario, rimuovere le staffe terminali dalla scatola di controllo, ruotarle e riposizionarle.
 - La scatola di controllo remoto può essere montata sulla superficie, sotto il piano di lavoro o incassata. Se viene incassata, la scatola di controllo richiede un'apertura di montaggio di 184 x 83 mm (7-1/4 x 3-1/4") (P x A).



Opzioni di montaggio della scatola di controllo remoto

- La distanza dall'unità alla quale può essere installata la scatola di controllo remoto è determinata dalla canalina di 914 mm (3'). Non tirare la canalina nell'intento di aumentare la distanza di montaggio. La canalina deve avere un certo gioco una volta montata la scatola di controllo.

segue...

AVVISO

Non modificare i cablaggi né tagliare il filo capillare del termostato sulla scatola di controllo per aumentare la distanza di montaggio semi-remota. Tagliare il filo capillare del termostato causa il surriscaldamento dell'unità e potrebbe danneggiare la stessa, nonché il piano di lavoro circostante.

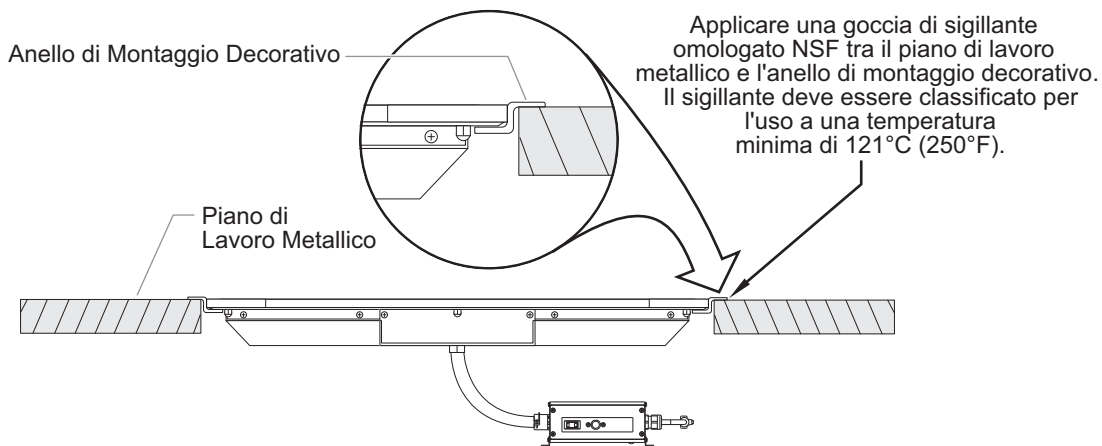
NOTA: La scatola di controllo remoto deve essere montata mediante viti con testa di diametro minimo di 1/4" (6 mm) inserite attraverso i fori situati sulle staffe di montaggio. La scatola di controllo remoto deve essere prontamente rimovibile e non fissata permanentemente.

8. Una volta fissati saldamente tutti i componenti, procedere con la sezione Operazione.

NOTA: Con l'unità è fornito un cavo di alimentazione di 1829 mm (6'); eventuale eccesso di cavo deve essere disposto opportunamente in modo da non penzolare.

Grafico per la sagomatura dei piani di lavoro per HBGB

Modello	Larghezza	Profondità
GRSSB-2418	625 mm (24-5/8") – 632 mm (24-7/8")	473 mm (18-5/8") – 480 mm (18-7/8")
GRSSB-3018	778 mm (30-5/8") – 784 mm (30-7/8")	473 mm (18-5/8") – 480 mm (18-7/8")
GRSSB-3618	930 mm (36-5/8") – 937 mm (36-7/8")	473 mm (18-5/8") – 480 mm (18-7/8")
GRSSB-4818	1235 mm (48-5/8") – 1241 mm (48-7/8")	473 mm (18-5/8") – 480 mm (18-7/8")
GRSSB-6018	1540 mm (60-5/8") – 1546 mm (60-7/8")	473 mm (18-5/8") – 480 mm (18-7/8")
GRSSB-7218	1845 mm (72-5/8") – 1851 mm (72-7/8")	473 mm (18-5/8") – 480 mm (18-7/8")



Installazione del Piano di Lavoro HBGB

Informazioni generali

Completare la procedura seguente per mettere in funzione gli scaldavivande portatili e per buffet Serv-Rite™.

AVVERTENZA

Prima di usare l'unità, leggere tutti i messaggi di sicurezza contenuti nella sezione **IMPORTANTI INFORMAZIONI SULLA SICUREZZA**.

AVVISO

Non accendere l'unità finché non è stata pulita scrupolosamente. La superficie di vetroceramica deve essere libera da eventuali residui onde evitare la formazione di bruciature.

Utilizzare esclusivamente spugnette, panni e detergenti studiati specificamente per la pulizia delle superfici in vetroceramica. L'utilizzo di prodotti analoghi non idonei potrebbe danneggiare la superficie di vetroceramica.

Non fare scivolare le teglie sulla superficie di vetro, non utilizzare teglie con fondo ruvido né lasciare cadere alcunché sulla superficie di vetro che potrebbe graffiarsi o rompersi. I danni o la rottura della superficie di vetro per negligenza dell'operatore non sono coperti da garanzia.

1. Usando una spugnetta o un panno umido appropriato, pulire la superficie di vetro dell'unità. La pulizia costante giornaliera renderà agevole tale operazione e proteggerà la superficie di vetro dell'unità.

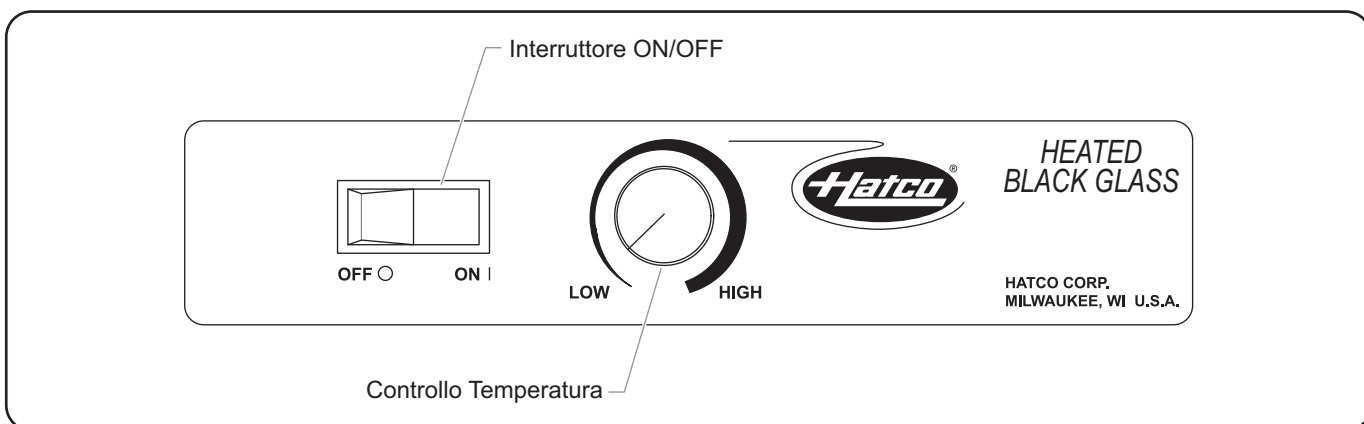
2. Collegare l'unità a una presa elettrica opportunamente munita di messa a terra e di tensione, misura e configurazione di spina corrette. Per ulteriori dettagli, vedere la sezione SPECIFICHE.
3. Spostare l'interruttore ON/OFF in posizione ON.

ATTENZIONE

PERICOLO DI USTIONE: Alcune superfici esterne dell'unità diventano molto calde. Fare attenzione quando si toccano queste aree.

4. Ruotare il controllo di temperatura sul valore di temperatura desiderato.
5. L'unità necessita di un periodo di 30 minuti per raggiungere la temperatura operativa. I ripiani in vetro nero riscaldati hanno un intervallo di temperatura compreso tra 38° e 93°C (100° ~ 200°F).

NOTA: Consultare la sezione OPZIONI E ACCESSORI per le informazioni di installazione e funzionamento delle unità HBGB equipaggiate con pannello di controllo montato in remoto con stile a sporgenza.



Pannello di Controllo Standard

Informazioni generali

Gli scaldavivande portatili e per buffet Serv-Rite™ Hatco è stato concepito in modo da offrire il massimo in termini di durevolezza e prestazioni con manutenzione minima.

AVVERTENZA

PERICOLO DI SCOSSA ELETTRIC:

- **Scollegare il cavo di alimentazione o spegnere l'interruttore generale a livello dell'interruttore/sezionatore di circuito e lasciare raffreddare l'unità prima di eseguire ogni intervento di manutenzione o pulizia.**
- **NON immergere in acqua o inzuppare d'acqua. L'unità non è impermeabile. Non usare l'unità se è stata immersa in acqua o inzuppata d'acqua.**
- **Non pulire a vapore o usare una quantità eccessiva d'acqua sull'unità.**

Questa unità non contiene parti su cui "l'utente" può intervenire. Se l'unità richiede un intervento di assistenza mettersi in contatto con un Agente di assistenza autorizzato di Hatco o con il Reparto di assistenza di Hatco al numero telefonico 414-671-6350; fax 414-671-3976.

AVVISO

Utilizzare esclusivamente spugnette, panni e detersivi studiati specificamente per la pulizia delle superfici in vetroceramica. L'utilizzo di prodotti analoghi non idonei potrebbe danneggiare la superficie di vetroceramica.

Non accendere l'unità finché non è stata pulita scrupolosamente. La superficie di vetroceramica deve essere libera da eventuali residui onde evitare la formazione di bruciature.

Pulizia Giornaliera

La pulizia costante giornaliera renderà agevole tale operazione e proteggerà la superficie di vetro. Utilizzare esclusivamente spugnette, panni e detersivi studiati specificamente per la pulizia delle superfici in vetroceramica.

1. Prima di accendere l'unità ogni giorno, pulire la superficie di vetro usando una spugnetta o un panno umido appropriato.
2. Al termine di ogni giornata:
 - a. Spegnere l'unità e lasciarla raffreddare.
 - b. Pulire la superficie di vetro mediante una spugnetta o un panno umido appropriato. Se è necessaria ulteriore pulizia, attenersi alla procedura "Pulizia di residui bruciati" in questa sezione.

Pulizia di Residui Bruciati

Per pulire i residui bruciati, può essere necessario l'utilizzo di un detergente per vetroceramica.

1. Lasciare raffreddare l'unità.
2. Spargere alcune gocce di detergente per vetroceramica sull'area dei residui.
3. Mediante una spugnetta appropriata, rimuovere l'area del residuo, applicando la pressione necessaria.
4. Se rimangono dei residui, ripetere i passaggi precedenti secondo necessità.
5. Dopo aver rimosso tutti i residui, lucidare l'intera superficie di vetro usando il detergente per vetroceramica e un panno di carta.

Pulizia di Versamenti Zuccherati/ Appiccicosi

1. Spegnere l'unità.
2. Indossando un guanto da forno, rimuovere il versamento con un panno di carta.
3. Lasciare raffreddare l'unità.
4. Attenersi alla procedura "Pulizia di residui bruciati" in questa sezione per rimuovere la parte rimanente del versamento.
5. Non utilizzare di nuovo l'unità finché il versamento non è stato pulito completamente.

ATTENZIONE

I versamenti di sostanze zuccherose potrebbero causare intaccature sulla superficie del vetro. Se ciò dovesse verificarsi, è necessario sostituire la superficie. Onde evitare ulteriori danni e possibili lesioni personali causate dalla rottura del vetro, smettere immediatamente di utilizzare l'unità e rivolgersi a un rappresentante di servizio Hatco autorizzato.

Pulizia di Segni e Graffi Metallici

Segni e graffi metallici lasciati dalle bacinelle possono solitamente essere rimossi. Fare attenzione quando si collocano le bacinelle sulla superficie di vetro. Per evitare segni e graffi metallici non far scivolare le bacinelle sulla superficie di vetro.

1. Lasciare raffreddare l'unità.
2. Spargere alcune gocce di detergente per vetroceramica sull'area segnata.
3. Usando una spugnetta appropriata, strofinare l'area segnata, applicando la pressione necessaria.
4. Se i segni e graffi metallici rimangono, ripetere i passaggi precedenti, secondo necessità.

NOTA: Controllare la parte inferiore delle bacinelle per la presenza di scabrosità che potrebbe graffiare la superficie di vetro.

NOTA: I danni causati dai versamenti zuccherati/appiccicosi o dal fondo scabroso delle bacinelle non sono coperti dalla garanzia.

AVVERTENZA

Interventi sull'unità devono essere eseguiti solo da parte di personale qualificato. Interventi da parte di persone non qualificate possono risultare in scossa elettrica o ustione.

AVVERTENZA

PERICOLO DI SCOSSA ELETTRICA: Scollegare il cavo di alimentazione e lasciare che l'unità si raffreddi prima di eseguire interventi di manutenzione e pulizia o prima di cercare di sbloccare un inceppamento.

Sintomo	Causa Probabile	Intervento
L'unità è surriscaldata.	L'impostazione del controllo temperatura è troppo alta.	Regolare il controllo temperatura a un'impostazione più bassa.
	Il controllo temperatura è bloccato nella posizione ON.	Rivolgersi per assistenza al rappresentante autorizzato o direttamente ad Hatco.
	L'unità è inserita in una presa di corrente inadatta.	Verificare con personale qualificato che l'alimentazione corrisponda a quella indicata nelle specifiche dell'unità.
L'unità è troppo fredda.	L'impostazione del controllo temperatura è troppo bassa.	Regolare il controllo temperatura a un'impostazione più alta.
	L'unità è collocata in una posizione esposta alle correnti d'aria (condotti dell'aria condizionata o condotte aspiranti).	Bloccare le correnti d'aria o collocare diversamente l'unità.
L'unità non funziona.	Il cavo di alimentazione dell'unità non è inserito nella presa elettrica.	Inserire il cavo di alimentazione nella presa di corrente appropriata.
	L'unità non è accesa.	Portare l'interruttore generale ON/OFF sulla posizione ON.
	L'interruttore ON/OFF è difettoso.	Rivolgersi per assistenza al rappresentante autorizzato o direttamente ad Hatco.
	L'elemento riscaldante è fulminato.	Rivolgersi per assistenza al rappresentante autorizzato o direttamente ad Hatco.
	Il controllo temperatura è difettoso.	Rivolgersi per assistenza al rappresentante autorizzato o direttamente ad Hatco.

Domande sulla risoluzione dei problemi?

Se non si riesce a risolvere un problema, contattare il centro di assistenza autorizzato più vicino o Hatco per ricevere assistenza. Per individuare il centro di assistenza più vicino, accedere al sito Web Hatco www.hatcocorp.com e fare clic su *Find Service Agent* (Trova centro di assistenza) oppure contattare il team Hatco di ricambi e assistenza:

Telefono: 414-671-6350

e-mail: partsandservice@hatcocorp.com

Fax: 414-671-3976

OPZIONI E ACCESSORI**Maniglie (HBG Model)**

Le maniglie seguenti sono disponibili per l'unità HBG.

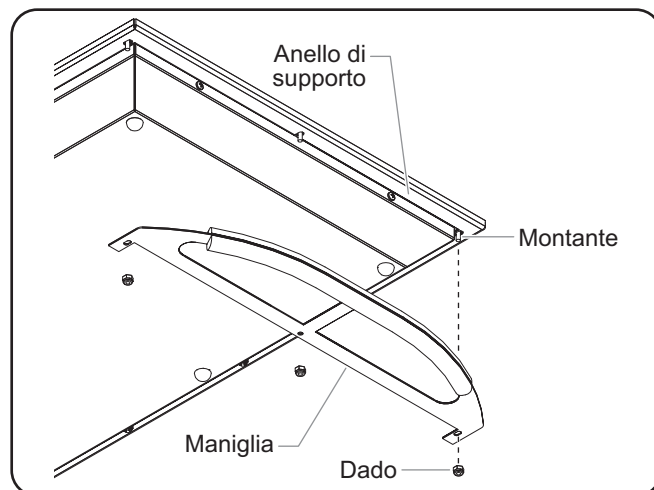
HANDLE-18-SS ...Maniglie in acciaio inossidabile arrotondate

HANDLE-18-BLK ..Maniglie designer di acciaio inossidabile verniciate a polvere nero

Le maniglie sono adatte per il retrofit sul campo e vengono installate su ogni estremità dell'unità attenendosi alla procedura seguente.

Su ogni estremità dell'unità:

1. Rimuovere i tre dadi situati sul lato inferiore dell'anello di supporto della superficie di vetro.
2. Allineare i tre fori sulla maniglia con i tre montanti dell'anello di supporto e posizionare la maniglia sui montanti.
3. Ricollocare i tre dadi sui montanti e stringere saldamente.



Installazione Maniglia

Pannello di Controllo Montato in Remoto (HBGB Model)

Per l'unità HBGB è disponibile opzionalmente un pannello di controllo montato in remoto con stile a sporgenza installato in fabbrica. Installare il pannello di controllo in loco attenendosi alla procedura seguente.

AVVERTENZA

PERICOLO DI SCOSSA ELETTRIC: Per un funzionamento adeguato e sicuro, il pannello di controllo remoto va montato su una parete verticale.

AVVISO

Il pannello di controllo montato in remoto deve essere installato al di fuori della zona di riscaldamento. Posizionare il pannello di controllo all'interno della zona riscaldata ne comporta il surriscaldamento, il malfunzionamento e il guasto.

Non modificare i cablaggi né tagliare il filo capillare del termostato sulla scatola di controllo per aumentare la distanza di montaggio semi-remota. Tagliare il filo capillare del termostato causa il surriscaldamento dell'unità e potrebbe danneggiare la stessa, nonché il piano di lavoro circostante.

NOTA: Per l'installazione del pannello di controllo montato in remoto, si consiglia di rivolgersi a un tecnico qualificato.

1. Preparare l'apertura e praticare i fori per le viti.
2. Rimuovere il coperchio di rifinitura dal montaggio del pannello di controllo.
3. Posizionare il pannello di controllo nell'apertura attraverso il lato posteriore.
4. Fissare il pannello di controllo alla superficie con le viti (non fornite).
5. Collegare l'unità a una presa elettrica opportunamente messa a terra e di corretta tensione e configurazione di spina. Per ulteriori dettagli, consultare la sezione SPECIFICHE TECNICHE.
6. Reinstallare il coperchio di rifinitura.

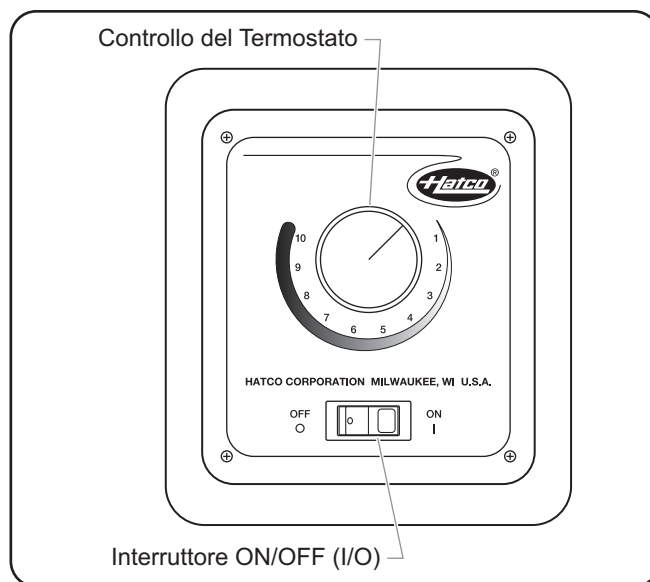
NOTA: Le unità sono dotate di canalina flessibile di 914 mm (3'), 1829 mm (6'), or 3048 mm (10') che collega il pannello di controllo all'unità.

Interruttore On/Off

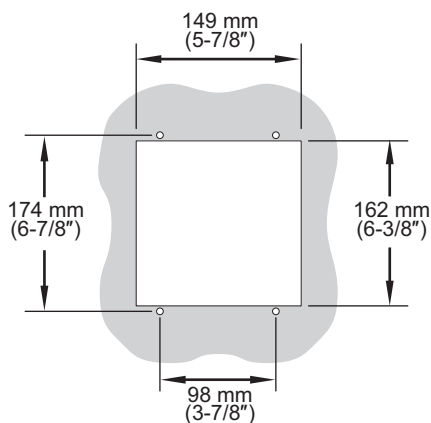
Entrambi i pannelli di controllo montati a distanza a filo sono dotati di interruttore On/Off (I/O). Spostare l'interruttore di alimentazione ON/OFF (I/O) nella posizione ON per accendere l'unità. La spia dell'interruttore si illumina quando l'unità è accesa.

Regolazione del controllo del termostato

Ruotando la manopola del controllo del termostato in senso orario si aumenta il valore impostato per la temperatura. Ruotando la manopola del controllo del termostato in senso antiorario si diminuisce il valore impostato per la temperatura.



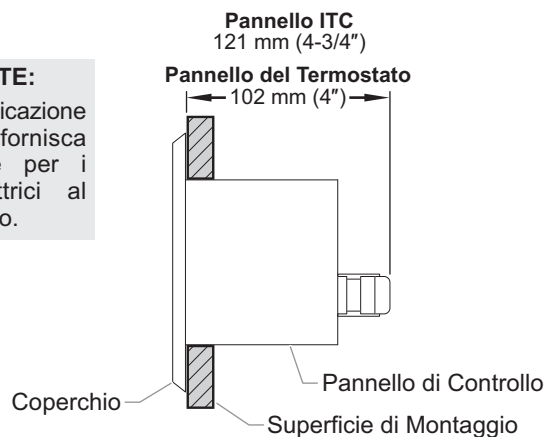
Pannello di controllo del termostato



Vista Anteriore del Pannello Sagomato

NOTA IMPORTANTE:

Assicurarsi che l'ubicazione dell'installazione fornisca spazio sufficiente per i collegamenti elettrici al pannello di controllo.



Vista Laterale del Pannello Installato

Dimensioni di installazione del pannello di controllo montato a distanza

Modifica della temperatura impostata - Controllore di temperatura digitale

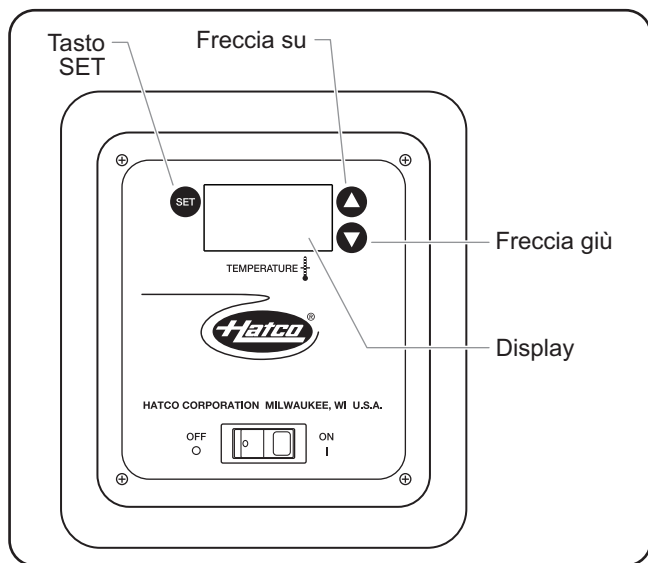
Le unità dotate di un controllore di temperatura digitale si riscaldano automaticamente alla temperatura impostata quando sono alimentate. Utilizzare la seguente procedura per modificare la temperatura impostata.

NOTA: La temperatura mostrata sul display potrebbe non essere accurata quando la temperatura dell'unità è inferiore a 54 °C (130 °F).

Se la sequenza di programmazione viene interrotta prima che sia completato l'ultimo passaggio, i valori modificati non sono accettati nella memoria.

1. Premere il tasto **set** tre volte. La temperatura impostata corrente è mostrata sul display TEMPERATURA ("SP" viene visualizzato dopo la seconda pressione).
2. Premere il tasto **▲** o **▼** entro 10 secondi per modificare la temperatura impostata.
3. Premere il tasto **set** per bloccare la nuova temperatura impostata. Il display TEMPERATURA rimane vuoto per due secondi a indicare che la nuova impostazione è stata accettata.

NOTA: Dopo 10 secondi di inattività durante il processo di programmazione, il controllore esce automaticamente dalla modalità di programmazione senza salvare le modifiche.



Controllore di temperatura digitale

Modifica dell'impostazione di Fahrenheit e Celsius - Controllore di temperatura digitale

Usare la seguente procedura per alternare fra la visualizzazione di Fahrenheit e Celsius sul display.

1. Premere il tasto **set** una volta. Sarà visualizzato "F" per Fahrenheit oppure "C" per Celsius.
2. Premere il tasto **▲** o **▼** entro 10 secondi per alternare fra "F" (Fahrenheit) e "C" (Celsius).

3. Premere il tasto **set** tre volte per bloccare la nuova impostazione. Il display TEMPERATURA rimane vuoto per due secondi a indicare che la nuova impostazione è stata accettata.

NOTA: Dopo 10 secondi di inattività durante il processo di programmazione, il controllore esce automaticamente dalla modalità di programmazione senza salvare le modifiche.

Gambe Regolabili di 102mm (HBG Model)

Attenersi alla procedura seguente per installare le gambe regolabili di 102 mm (4") al posto dei piedini in gomma sull'unità HBG.

NOTA: Le gambe di 102 mm (4") sono incluse con i modelli con larghezza superiore a 1041 mm (36").

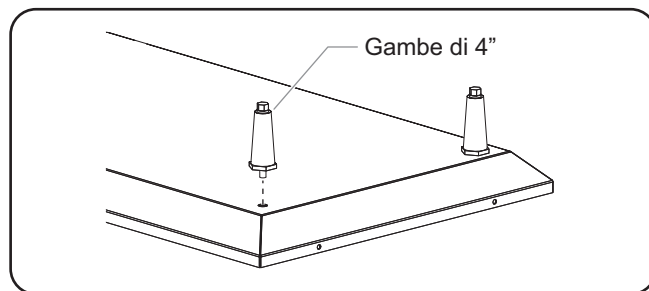
AVVERTENZA

PERICOLO DI SCOSSA ELETTRIC: Spegnerne, scollegare il cavo di alimentazione e lasciare raffreddare l'unità prima di eseguire ogni intervento di manutenzione o pulizia.

AVVISO

Non appoggiare l'unità sul lato con il pannello dei controlli perché così facendo si potrà danneggiare l'unità.

1. Spegnerne l'unità, scollegare il cavo di alimentazione e lasciar raffreddare l'unità.
2. Capovolgere con attenzione l'unità e appoggiarla su una superficie piana. Accertarsi di coprire la superficie con un panno onde evitare di graffiare il vetro.
3. Ad ogni angolo della base, rimuovere la vite del piedino e il piedino in gomma.



Installazione delle gambe di 4"

4. A ciascun angolo della base, avvitare una gamba di 4" facendola passare attraverso la parte inferiore della base.

NOTA: I piedini delle gambe di 102 mm (4") sono regolabili per livellare l'unità. Usare una chiave fissa da 16 mm (5/8") per eseguire le regolazioni di livellamento una volta che l'unità è collocata nella posizione finale.

1. GARANZIA SUL PRODOTTO

La Hatco garantisce che i prodotti di sua fabbricazione (i "Prodotti"), in normali condizioni di uso e manutenzione, sono esenti da difetti di materiale per un (1) anno dalla data di acquisto, se installati e mantenuti in osservanza delle istruzioni scritte della Hatco, oppure per 18 mesi dalla data di spedizione dalla Hatco. L'acquirente deve confermare la data di acquisto del prodotto registrando il prodotto con Hatco o per mezzo di altri sistemi accettati da Hatco a sua totale discrezione.

La Hatco garantisce che i seguenti componenti del Prodotto non presenteranno difetti materiali dalla data dell'acquisto (in conformità alle condizioni di cui sopra) per la(e) durata(e) e le condizioni di seguito elencate:

a) Due (2) anni di garanzia per le parti:

Elementi del tostapane a convezione (guaina metallica)
Componenti scorrevoli del riscaldatore (rivestiti in metallo)
Riscaldatore, rulli del riscaldatore e scivoli del Riscaldatore
Elementi termostricce (rivestiti in metallo)
Componenti del visualizzatore del riscaldatore (riscaldamento ad aria rivestito in metallo)
Componenti di sostegno dell'armatura (impianto di riscaldamento ad aria rivestito in metallo)
Elementi del pozzo riscaldato incorporato — serie HWB (con protezione di metallo)

b) Cinque (5) anni di garanzia per le parti:

Serbatoi 3CS e FR

c) Dieci (10) anni di garanzia per le parti:

Serbatoi di acqua calda ausiliari elettrici
Serbatoi di acqua calda ausiliari a gas

d) Novanta (90) giorni di garanzia per le parti:

Parti di ricambio

LE GARANZIE DI CUI SOPRA SONO ESCLUSIVE E SOSTITUISCONO QUALSIASI ALTRA GARANZIA, ESPRESSA O IMPLICITA, COMPRESA TRA L'ALTRO, LA GARANZIA DI COMMERCIALIZZABILITÀ O ADEGUATEZZA PER UNO SCOPO PARTICOLARE O DI PROTEZIONE DALLA VIOLAZIONE DEI DIRITTI DI BREVETTO O DI ALTRO GENERE DI PROPRIETÀ INTELLETTUALE. Senza limitare il concetto generico di quanto sopra, DETTE GARANZIE NON COPRONO: lampadine per lampade incandescenti rivestite, lampade fluorescenti, lampadine per lampade di riscaldamento, lampadine per lampade alogene rivestite, lampadine per lampade di riscaldamento alogene, lampadine xenon, tubi LED, componenti in vetro e fusibili, guasti del prodotto nella vasca booster, nel tubo ad alette dello scambiatore di calore o in altra attrezzatura per il riscaldamento dell'acqua causati da calcinazione, accumulo di sedimentazione, agenti chimici o congelamento, uso scorretto del prodotto, manomissione o applicazione errata, installazione non corretta o applicazione di tensione errata.

2. LIMITI DEGLI OBBLIGHI DI RIPARAZIONE E DI RISARCIMENTO DANNI

La responsabilità di Hatco e l'esclusivo rimedio spettante all'acquirente per quanto riportato di seguito, saranno limitati esclusivamente alla sostituzione della parte di ricambio con parti nuove o rigenerate, a scelta di Hatco, da parte di Hatco stessa o di un centro di servizio autorizzato in relazione alla richiesta effettuata entro il succitato periodo di garanzia pertinente. Hatco si riserva il diritto di accettare o rifiutare eventuali reclami in tutto o in parte. Nel contesto della presente Garanzia limitata, "rigenerato" significa che una parte o un Prodotto è stato riportato alle specifiche tecniche originali da Hatco o da un'agenzia di servizio autorizzata da Hatco. La Hatco non accetterà la restituzione dei propri Prodotti senza previa approvazione scritta da parte della stessa e le spese di spedizione saranno esclusivamente a carico dell'Acquirente. LA HATCO DECLINA QUALSIASI RESPONSABILITÀ PER EVENTUALI DANNI INDIRETTI O ACCIDENTALI, COMPRESI TRA L'ALTRO I COSTI DI MANODOPERA O IL MANCATO GUADAGNO CAUSATI DALL'UTILIZZO O DALL'IMPOSSIBILITÀ DI UTILIZZARE I PRODOTTI O DOVUTI AL MONTAGGIO DEI PROPRI PRODOTTI IN ALTRI IMPIANTI O APPARECCHI.

INFORMAZIONI SUGLI INTERVENTI IN GARANZIA

Le ripiani in vetro nero riscaldati sono garantiti per un anno dalla data di acquisto o 18 mesi dalla data di spedizione dalla Hatco, secondo quale sia la prima scadenza.

In caso di problemi con le ripiani in vetro nero riscaldati durante il periodo di garanzia, procedere come segue:

Contattare il Rivenditore Locale Hatco

Quando si contatta il rivenditore Hatco per richiedere assistenza, fornire le seguenti informazioni per assicurare la celerità del servizio:

- Modello dell'apparecchio
- Numero di Serie (situato sul fondo dell'unità)
- Una Descrizione Accurata del Problema
- Data di Acquisto
- Nome dell'azienda
- Indirizzo di spedizione
- Nome e Numero Telefonico della Persona da Contattare

Il rivenditore Hatco:

- Fornirà i Ricambi Necessari
- Inoltrerà alla Hatco il Reclamo

Problemi non coperti dalla garanzia

Se sorge un problema non coperto dalla garanzia per il quale è necessaria assistenza, rivolgersi al centro di servizio autorizzato Hatco di zona. Per gli indirizzi dei centri di servizio:

- visitare il sito www.hatcocorp.com, selezionare il menu "Resources" e fare clic su "Find Service Agent/Distributor".
- Chiamare l'assistenza Hatco al numero +1 414 671 6350.
- Scrivere all'assistenza Hatco all'indirizzo partsandservice@hatcocorp.com.

Belangrijke Informatie Voor De Eigenaar	67	Werking	74
Inleiding	67	Algemeen.....	74
Belangrijke Veiligheidsinformatie	68	Onderhoud	75
Modelbeschrijving	69	Algemeen.....	75
Alle Modellen	69	Dagelijks schoonmaken	75
Modellen HBG	69	Schoonmaken van aangebakken resten	75
Modellen HBGB	69	Verwijderen van gemorste suiker	75
Modelbenaming	69	Verwijderen van metaalsporen en –krassen.....	75
Specificaties	69	Oplossen van Problemen	76
Stekkerconfiguraties.....	69	Opties en Accessoires	76
Tabel met elektrische gegevens	70	Internationale Beperkte Garantie	79
Afmetingen.....	71	Informatie over Garantieservice	79
Installatie	73		
Algemeen.....	73		
Modellen HBG	73		
Modellen HBG	73		

BELANGRIJKE INFORMATIE VOOR DE EIGENAAR

Noteer het modelnummer, serienummer (op de onderkant van het apparaat), de spanning en de aankoopdatum van uw unit in de ruimte onderaan. Zorg ervoor dat u deze informatie ter beschikking hebt als u Hatco voor service belt.

Modelnr. _____

Serienr. _____

Spanning _____

Aankoopdatum _____

Registreer uw apparaat!

Als u online de garantieregistratie invult kunt u vertalingen bij het bekomen van uw garantievoordelen vermijden. Ga naar de Hatco-website op www.hatcocorp.com, selecteer the Onderdelen&Onderhoud menu en klik op "Garantieregistratie".

Kantooruren:

7:00 uur tot 17:00 uur
Central Standard Time (CET – 7 uur)

(Zomeruren: juni tot september –

7:00 uur tot 17:00 uur CST

maandag tot donderdag

7:00 uur tot 16:00 uur CST op vrijdag)

Telefoon: +1-414-671-6350

E-mail: partsandservice@hatcocorp.com

Fax: +1-414-671-3976

(Onderdelen en service)

Bijkomende informatie vindt u op onze website:

www.hatcocorp.com.

INLEIDING

De zwarte glazen warmhoudplaten van Hatco zijn ontworpen om voedsel op veilige temperatuur warm te houden en goed te passen bij het omringende decor. Het voedsel blijft op veilige serveertemperatuur zonder de kwaliteit aan te tasten. Deze apparaten hebben een verwarmde glazen basis met thermostaatregeling die de houdbaarheid van het vers bereide voedsel verlengen.

Zwarte glazen warmhoudplaten zijn het resultaat van uitgebreid onderzoek en tests in reële situaties. De gebruikte materialen zijn gekozen voor maximale duurzaamheid, aantrekkelijk uiterlijk en optimale prestaties. Ieder apparaat wordt voor verzending grondig geïnspecteerd en getest.

In deze handleiding vindt de installatie-, veiligheids- en bedieningsinstructies voor de zwarte glazen warmhoudplaten. Hatco raadt aan om alle installatie-, bedienings- en veiligheidsinstructies in deze handleiding te lezen voordat het apparaat wordt geïnstalleerd of bediend.

De veiligheidsinformatie in deze handleiding wordt voorafgegaan door een tekstkader met een van de volgende termen:

⚠ WAARSCHUWING

WAARSCHUWING wijst op een gevaarlijke situatie die, als ze niet wordt vermeden, tot ernstige of dodelijke letsels kan leiden.

⚠ VOORZICHTIG

VOORZICHTIG wijst op een gevaarlijke situatie die, als ze niet wordt vermeden, tot lichte of vrij ernstige letsels kan leiden.

ATTENTIE

ATTENTIE wordt gebruikt om uw aandacht te vestigen op praktijken die niet tot lichamelijke letsels leiden.



Lees de volgende belangrijke veiligheidsinformatie om mogelijk dodelijk letsel te voorkomen en om schade aan het apparaat of materiaal te voorkomen.

WAARSCHUWING

GEVAAR VOOR ELEKTRISCHE SCHOKKEN:

- Steek de stekker van het apparaat alleen in een naar behoren geaard stopcontact met de correcte spanning, grootte en stekkerconfiguratie. Als de stekker en het stopcontact niet passen, neemt u contact op met een gekwalificeerd elektricien om een stopcontact met de correcte spanning en grootte te installeren.
- Zet de stroomschakelaar in de stand **UIT**, haal de stekker uit het stopcontact en laat het apparaat volledig afkoelen voordat u het onderhoud of schoonmaakt.
- Dompel het apparaat **NIET** onder en maak het ook **NIET** kletsnat. Het apparaat is niet waterbestendig. Gebruik het apparaat niet als het onder werd gedompeld of erg nat werd gemaakt.
- Het apparaat is niet weerbestendig. Gebruik het apparaat alleen binnenshuis op een plaats waar de omgevingstemperatuur minimaal 21°C bedraagt.
- Maak het apparaat niet schoon met stoom en gebruik ook niet al te veel water.
- De constructie van dit apparaat is niet bestand tegen hogedrukspuiten. Gebruik geen sprays met een spuitstraal om dit apparaat schoon te maken.
- Trek niet aan het elektrische snoer van het apparaat.
- Gebruik het apparaat niet langer wanneer het elektrische snoer gerafeld of versleten is.
- Probeer een beschadigd elektrisch snoer niet te herstellen of vervangen. Het snoer moet door Hatco, een erkende Hatco servicevertegenwoordiger of een persoon met vergelijkbare kwalificaties worden vervangen.
- Maak het apparaat niet schoon als het onder stroom staat of nog warm is.
- Gebruik alleen authentieke Hatco vervangingsonderdelen als het apparaat moet worden hersteld. Als er geen authentieke Hatco-vervangingsonderdelen worden gebruikt, komen alle garanties te vervallen en kunnen de gebruikers van de apparatuur aan gevaarlijke elektrische spanning worden blootgesteld, wat kan resulteren in elektrische schokken of brandwonden. Authentieke Hatco vervangingsonderdelen zijn specifiek ontworpen om veilig te werken in de omgevingen waarin ze worden gebruikt. Sommige niet-authentieke of generieke vervangingsonderdelen hebben niet de vereiste eigenschappen om veilig te kunnen werken in apparaten van Hatco.

BRANDGEVAAR: Plaats het apparaat op ten minste 25 mm afstand van brandbare wanden en materialen. Als de veiligheidsafstand niet wordt gerespecteerd kan ontbranding of verkleuring optreden.

Zorg dat het voedsel tot op de veilige warmhoudtemperatuur is verwarmd alvorens het op het apparaat te plaatsen. Als het voedsel niet tot op de juiste temperatuur is verwarmd, kan dit ernstige risico's voor de gezondheid tot gevolg hebben. Dit apparaat is uitsluitend bestemd voor het warmhouden van voorverwarmd voedsel. Dit apparaat is niet bestemd voor gebruik door kinderen of personen met beperkte lichamelijke, gevoels- of mentale capaciteiten. Houd kinderen uit de buurt van het apparaat.

WAARSCHUWING

Zorg dat alle bedieners van het apparaat goede instructies hebben ontvangen betreffende het veilige en juiste gebruik van het apparaat.

Dit apparaat bevat geen onderdelen die door de gebruiker kunnen worden vervangen. Als het apparaat moet worden hersteld neemt u contact op met een erkend Hatco servicevertegenwoordiger of de Hatco serviceafdeling op het nummer +1-414-671-6350; fax +1-414-671-3976.

VOORZICHTIG

GEVAAR VOOR BRANDWONDEN: Sommige oppervlakken aan de buitenkant van het apparaat worden heet. Wees voorzichtig wanneer u deze oppervlakken aanraakt.

Plaats het apparaat op een hoogte en een plaats waar er gemakkelijk mee kan worden gewerkt. Het oppervlak moet waterpas zijn om te voorkomen dat het apparaat of de inhoud ervan per ongeluk zou vallen en moet sterk genoeg zijn om het gewicht van het toestel en de inhoud te kunnen dragen.

Gebruik de ingebouwde modellen niet als de regelkast niet naar behoren is geïnstalleerd zoals beschreven in de installatieaanwijzingen.

De National Sanitation Foundation (NSF) vereist dat apparaten die meer dan 914 mm (36") breed zijn of meer dan 36 kg (80 lbs.) wegen ofwel aan het installatieoppervlak verzegeld zijn ofwel erboven verheven zijn. Het apparaat wordt geleverd met poten van 102 mm (4") die het schoonmaken onder het apparaat mogelijk maken als dit apparaat niet kan worden verzegeld op de plaats waar het wordt gebruikt.

Pitting of putjes in het glasoppervlak kunnen ontstaan als gevolg van gemorste suiker. Als pitting of putjes optreden, moet het glasoppervlak worden vervangen. Om verdere beschadiging en mogelijk letsel als gevolg van gebroken glas te voorkomen, stop onmiddellijk het gebruik van het apparaat en neem contact op met een erkende servicevertegenwoordiger van Hatco.

ATTENTIE

De inbouwmodellen zijn ontworpen voor gebruik in metalen oppervlakken. Schade aan niet-metalen oppervlakken wordt niet door de Hatco-garantie gedekt.

Wijzig de bedrading niet of knip de capillaire thermostaatdraad op de regelkast niet af om de afstand voor het monteren ervan te vergroten. Als de capillaire draad van de thermostaat wordt doorgeknipt, zal het apparaat oververhitten en kan het apparaat en het omringende oppervlak worden beschadigd.

Zet het apparaat pas aan nadat het grondig is schoongemaakt. Het oppervlak van keramisch glas moet schoon zijn om aanbakken te voorkomen.

Leg het apparaat niet op de zijkant met de bedieningselementen want anders kan het apparaat beschadigd raken.

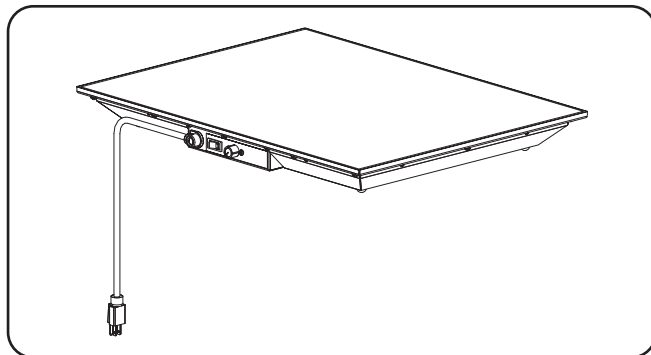
Schuif geen pannen over het glazen oppervlak, gebruik geen pannen met ruwe bodem en laat niets op het glazen oppervlak vallen. Dit zou het oppervlak kunnen krassen of breken. Beschadiging of breken van het glas als gevolg van verkeerd gebruik is niet door de garantie gedekt.

Alle Modellen

Alle zwarte warmhoudplaten van Hatco zijn ideaal voor doorgeefsituaties, buffetlijnen en voor het uitstellen van hors d'oeuvres. Als gevolg van de goedkeuring door de National Sanitation Foundation (NSF) kan het voedsel desgewenst direct op het glasoppervlak worden geplaatst. Het standaardapparaat omvat een verlichte aan/uit-schakelaar, een warmhoudoppervlak van keramisch glas met thermostaatregeling en een basis van geperfd staal. Het temperatuurbereik van de zwarte glazen warmhoudplaten is 38° tot 93°C (100° tot 200°F).

Modellen HBG

De HBG zwarte glazen warmhoudplaat is een verplaatsbare warmhoudplaat met aangehecht snoer van 1829 mm (6') en stekker. Het verplaatsbare apparaat is verkrijgbaar in zes modellen. HBG-2418, HBG-3018, HBG-3618, HBG-4818, HBG-6018 en HBG-7218.

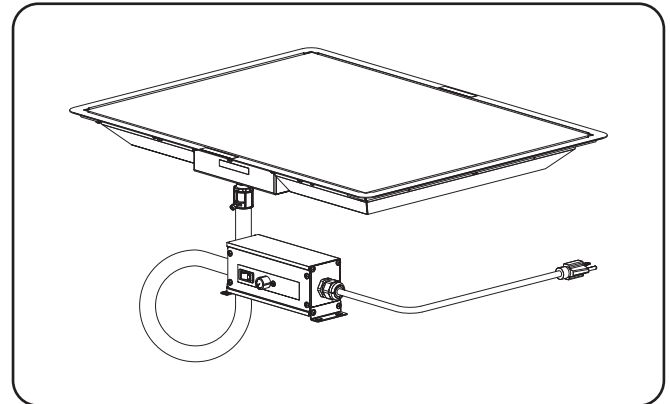


Model HBG

Modellen HBGB

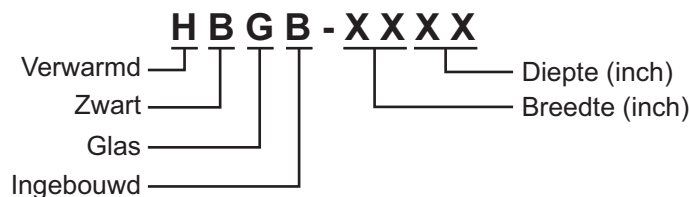
De HBGB zwarte glazen warmhoudplaat is een inbouwapparaat uitgerust met een eraan bevestigde montage-ring. Het apparaat omvat een afstandsbediening met een leiding van 914 mm (3'). Een snoer van 1829 mm (6') met stekker verbindt de afstandsbediening met de stroombron.

De inbouwapparaten zijn in zes modellen verkrijgbaar. HBGB-2418, HBGB-3018, HBGB-3618, HBGB-4818, HBGB-6018 en HBGB-7218.



Model HBGB

MODEL BENAMMING



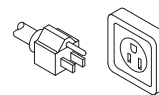
SPECIFICATIES

Stekkerconfiguraties

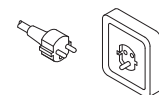
De apparaten worden met een op de fabriek geïnstalleerd elektriciteits snoer met stekker geleverd. Stekkers worden geleverd volgens de toepassingen.

⚠ WAARSCHUWING

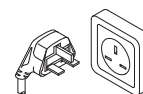
GEVAAR VOOR ELEKTRISCHE SCHOKKEN: Steek de stekker van het apparaat alleen in een naar behoren geaard stopcontact met de correcte spanning, grootte en stekkerconfiguratie. Als de stekker en het stopcontact niet passen, neemt u contact op met een gekwalificeerd elektricien om een stopcontact met de correcte spanning en grootte te installeren.



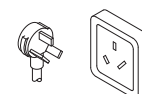
NEMA 5-15P



CEE 7/7 Schuko



BS-1363



AS 3112

Stekkerconfiguraties

OPMERKING: Stopcontact niet door Hatco geleverd.

Tabel Met Elektrische Gegevens — Modellen HBG

Model	Spanning	Watts	Ampere	Stekkerconfiguratie	Verzendgewicht
HBG-2418	100	425	4.3	NEMA 5-15P	10 kg (22 lbs.)
	220-230 (CE)	420-459	1.9-2.0	CEE 7/7 Schuko	10 kg (22 lbs.)
	230-240 (CE)	459-500	2.0-2.1	BS-1363 of AS 3112 *	10 kg (22 lbs.)
HBG-3018	100	525	5.3	NEMA 5-15P	12 kg (27 lbs.)
	220-230 (CE)	525-574	2.4-2.5	CEE 7/7 Schuko	12 kg (27 lbs.)
	230-240 (CE)	574-625	2.5-2.6	BS-1363 of AS 3112 *	12 kg (27 lbs.)
HBG-3618	100	630	6.3	NEMA 5-15P	15 kg (32 lbs.)
	220-230 (CE)	630-689	2.9-3.0	CEE 7/7 Schuko	15 kg (32 lbs.)
	230-240 (CE)	689-750	3.0-3.1	BS-1363 of AS 3112 *	15 kg (32 lbs.)
HBG-4818	100	850	8.5	NEMA 5-15P	20 kg (44 lbs.)
	220-230 (CE)	840-918	3.8-4.0	CEE 7/7 Schuko	20 kg (44 lbs.)
	230-240 (CE)	918-1000	4.0-4.2	BS-1363 of AS 3112 *	20 kg (44 lbs.)
HBG-6018	100	1050	10.5	NEMA 5-15P	25 kg (54 lbs.)
	220-230 (CE)	1050-1148	4.8-5.0	CEE 7/7 Schuko	25 kg (54 lbs.)
	230-240 (CE)	1148-1250	5.0-5.2	BS-1363 of AS 3112 *	25 kg (54 lbs.)
HBG-7218	100	1260	12.6	NEMA 5-15P	29 kg (64 lbs.)
	220-230 (CE)	1260-1378	5.7-6.0	CEE 7/7 Schuko	29 kg (64 lbs.)
	230-240 (CE)	1378-1500	6.0-6.3	BS-1363 of AS 3112 *	29 kg (64 lbs.)

Tabel Met Elektrische Gegevens — Modellen HBGB

Model	Spanning	Watts	Ampere	Stekkerconfiguratie	Verzendgewicht
HBGB-2418	100	425	4.3	NEMA 5-15P	12 kg (27 lbs.)
	220-230 (CE)	420-459	1.9-2.0	CEE 7/7 Schuko	12 kg (27 lbs.)
	230-240 (CE)	459-500	2.0-2.1	BS-1363 of AS 3112 *	12 kg (27 lbs.)
HBGB-3018	100	525	5.3	NEMA 5-15P	15 kg (32 lbs.)
	220-230	1050-1147	4.8-5.0	CEE 7/7 Schuko	15 kg (32 lbs.)
	220-230 (CE)	525-574	2.4-2.5	CEE 7/7 Schuko	15 kg (32 lbs.)
	230-240	1147-1249	5.0-5.2	CEE 7/7 Schuko	15 kg (32 lbs.)
	230-240 (CE)	574-625	2.5-2.6	BS-1363 of AS 3112 *	15 kg (32 lbs.)
HBGB-3618	100	630	6.3	NEMA 5-15P	17 kg (37 lbs.)
	220-230 (CE)	630-689	2.9-3.0	CEE 7/7 Schuko	17 kg (37 lbs.)
	230-240 (CE)	689-750	3.0-3.1	BS-1363 of AS 3112 *	17 kg (37 lbs.)
HBGB-4818	100	850	8.5	NEMA 5-15P	25 kg (54 lbs.)
	220-230 (CE)	840-918	3.8-4.0	CEE 7/7 Schuko	25 kg (54 lbs.)
	230-240 (CE)	918-1000	4.0-4.2	BS-1363 of AS 3112 *	25 kg (54 lbs.)
HBGB-6018	100	1050	10.5	NEMA 5-15P	29 kg (64 lbs.)
	220-230 (CE)	1050-1148	4.8-5.0	CEE 7/7 Schuko	29 kg (64 lbs.)
	230-240 (CE)	1148-1250	5.0-5.2	BS-1363 of AS 3112 *	29 kg (64 lbs.)
HBGB-7218	100	1260	12.6	NEMA 5-15P	34 kg (74 lbs.)
	220-230 (CE)	1260-1378	5.7-6.0	CEE 7/7 Schuko	34 kg (74 lbs.)
	230-240 (CE)	1378-1500	6.0-6.3	BS-1363 of AS 3112 *	34 kg (74 lbs.)

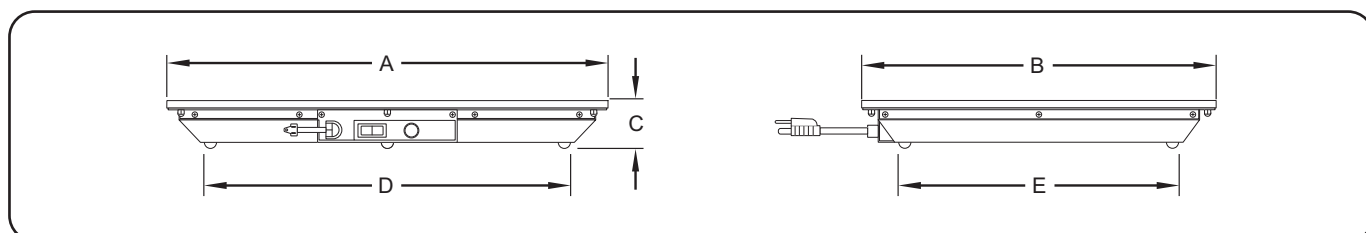
* AS 3112 stekker uitsluitend voor gebruik in Australië.

OPMERKING: Verzendgewicht is inclusief verpakking.

Afmetingen — Modellen HBG

Model	Breedte (A)	Diepte (B)	Hoogte (C)	Breedte Tussen Buitenkant Pootjes (D)	Diepte Tussen Buitenkant Pootjes (E)
HBG-2418	618 mm (24-3/8")	466 mm (18-3/8")	61 mm (2-7/16")	501 mm (19-3/4")	349 mm (13-3/4")
HBG-3018	771 mm (30-3/8")	466 mm (18-3/8")	61 mm (2-7/16")	654 mm (25-3/4")	349 mm (13-3/4")
HBG-3618	923 mm (36-3/8")	466 mm (18-3/8")	61 mm (2-7/16")	806 mm (31-3/4")	349 mm (13-3/4")
HBG-4818 †	1228 mm (48-3/8")	466 mm (18-3/8")	155 mm (6-1/8")	1086 mm (42-3/4")	324 mm (12-3/4")
HBG-6018 †	1533 mm (60-3/8")	466 mm (18-3/8")	155 mm (6-1/8")	1390 mm (54-3/4")	324 mm (12-3/4")
HBG-7218 †	1838 mm (72-3/8")	466 mm (18-3/8")	155 mm (6-1/8")	1695 mm (66-3/4")	324 mm (12-3/4")

† Hoogte omvat poten van 102 mm (4").

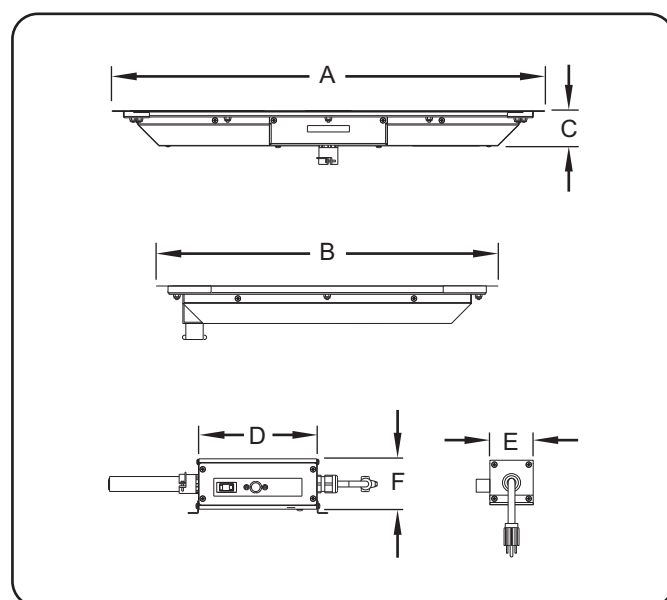


HBG Afmetingen

Afmetingen — Modellen HBGB

Model	Breedte (A)	Diepte (B)	Hoogte (C)
HBGB-2418	651 mm (25-5/8")	498 mm (19-5/8")	55 mm (2-3/16")
HBGB-3018	803 mm (31-5/8")	498 mm (19-5/8")	55 mm (2-3/16")
HBGB-3618	955 mm (37-5/8")	498 mm (19-5/8")	55 mm (2-3/16")
HBGB-4818	1260 mm (49-5/8")	498 mm (19-5/8")	55 mm (2-3/16")
HBGB-6018	1565 mm (61-5/8")	498 mm (19-5/8")	55 mm (2-3/16")
HBGB-7218	1870 mm (73-5/8")	498 mm (19-5/8")	55 mm (2-3/16")

	Breedte (A)	Diepte (B)	Hoogte (C)
Kast voor afstandsbediening	178 mm (7")	64 mm (2-1/2")	76 mm (3")



HBGB Afmetingen

OPMERKING: Het etiket met de specificaties bevindt zich onderaan het apparaat. Raadpleeg het etiket voor het serienummer en informatie over de elektriciteit van het apparaat.

Algemeen

Gebruik de volgende procedures om de HBG en HBGB-toestellen te installeren.

⚠ WAARSCHUWING

GEVAAR VOOR ELEKTRISCHE SCHOKKEN: Het apparaat is niet weerbestendig. Gebruik het apparaat alleen binnenshuis op een plaats waar de omgevingstemperatuur minimaal 21°C bedraagt.

BRANDGEVAAR: Plaats het apparaat op ten minste 25 mm afstand van brandbare wanden en materialen. Als de veiligheidsafstand niet wordt gerespecteerd kan ontbranding of verkleuring optreden.

⚠ VOORZICHTIG

Plaats het apparaat op een hoogte en een plaats waar er gemakkelijk mee kan worden gewerkt. Het oppervlak moet waterpas zijn om te voorkomen dat het apparaat of de inhoud ervan per ongeluk zou vallen en moet sterk genoeg zijn om het gewicht van het toestel en de inhoud te kunnen dragen.

ATTENTIE

Leg het apparaat niet op de zijkant met de bedieningselementen want anders kan het apparaat beschadigd raken.

Modellen HBG

1. Haal het apparaat uit de doos.
2. Haal de tape en bescherm laag van alle oppervlakken van het apparaat.

OPMERKING : Als poten van 102 mm (4") benodigd zijn, raadpleeg dan het hoofdstuk OPTIENS EN ACCESSOIRES van deze handleiding voor instructies met betrekking tot de installatie ervan. Poten van 102 mm worden meegeleverd met modellen die meer dan 1041 mm (36") breed zijn.

3. Plaats het apparaat op de gewenste plaats.
 - Plaats het apparaat in een ruimte waar de omgevende luchttemperatuur constant is en minstens 21°C (70°F) bedraagt. Vermijd ruimten waar er veel luchtbeweging of toch is (i.e. naast afzuigventilatoren/afzuigkappen en airconditioningleidingen).
 - Zorg ervoor dat het apparaat op een hoogte en een plaats staat waar er gemakkelijk mee kan worden gewerkt.
 - Zorg ervoor dat het oppervlak waar het apparaat op rust waterpas staat en sterk genoeg is om het gewicht van het apparaat en de voedingswaren te kunnen dragen.
 - Zorg ervoor dat alle pootjes op de onderkant van het apparaat stevig op het dragende oppervlak rusten.
4. Installeer alle bij het apparaat geleverde accessoires. Raadpleeg het hoofdstuk OPTIES EN ACCESSOIRES voor meer details.

Modellen HBGB

⚠ VOORZICHTIG

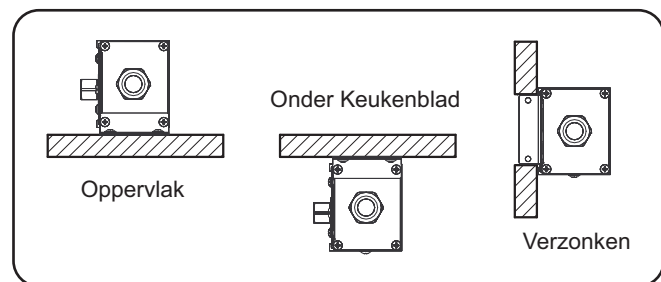
De National Sanitation Foundation (NSF) vereist dat apparaten die meer dan 914 mm (36") breed zijn of meer dan 36 kg (80 lbs.) wegen ofwel aan het installatieoppervlak verzegeld zijn ofwel erboven verheven zijn. Het apparaat wordt geleverd met poten van 102 mm (4") die het schoonmaken onder het apparaat mogelijk maken als dit apparaat niet kan worden verzegeld op de plaats waar het wordt gebruikt.

Gebruik de ingebouwde modellen niet als de regelkast niet naar behoren is geïnstalleerd zoals beschreven in de installatieaanwijzingen.

ATTENTIE

De inbouwmodellen zijn ontworpen voor gebruik in metalen oppervlakken. Schade aan niet-metalen oppervlakken wordt niet door de Hatco-garantie gedekt.

1. Haal het apparaat uit de doos.
2. Haal de tape en bescherm laag van alle oppervlakken van het apparaat.
3. Prepareer de opening in het oppervlak. Raadpleeg de tabel "Uitsnijden van opening in het oppervlak" in dit hoofdstuk voor informatie over de aanbevolen opening.
4. Breng een druppel door de NSF goedgekeurd afdichtmiddel aan op de bovenrand van de opening en op de onderkant van de montageering. Het afdichtmiddel moet geschikt zijn voor gebruik bij een minimumtemperatuur van 121°C (250°F).
5. Plaats het apparaat in de opening van het keukenblad.
6. Verwijder overtollig afdichtmiddel.
7. Breng de afstandbediening aan op een plaats waar deze gemakkelijk bediend kan worden. Verwijder zo nodig de eindbeugels van de bedieningsdoos, roteer ze en breng ze in een andere positie aan.
 - De afstandsbedieningsdoos kan op het oppervlak, onder het keukenblad of verzonken worden gemonteerd. Bij verzonken montage is er een opening van 7-1/4" B x 3-1/4" H (184 x 83 mm) nodig voor de bedieningsdoos.



Montageopties Voor Afstandsbedieningsdoos

- De afstand waarop de afstandsbedieningsdoos kan worden gemonteerd wordt bepaald door de leiding van 914 mm (3'). Trek de leiding niet te strak aan om de montageafstand te verhogen. De leiding moet enigszins loos zijn nadat de bedieningsdoos is gemonteerd.

ATTENTIE

Wijzig de bedrading niet of knip de capillaire thermostaatdraad op de regelkast niet af om de afstand voor het monteren ervan te vergroten. Als de capillaire draad van de thermostaat wordt doorgeknipt, zal het apparaat oververhitten en kan het apparaat en het omringende oppervlak worden beschadigd.

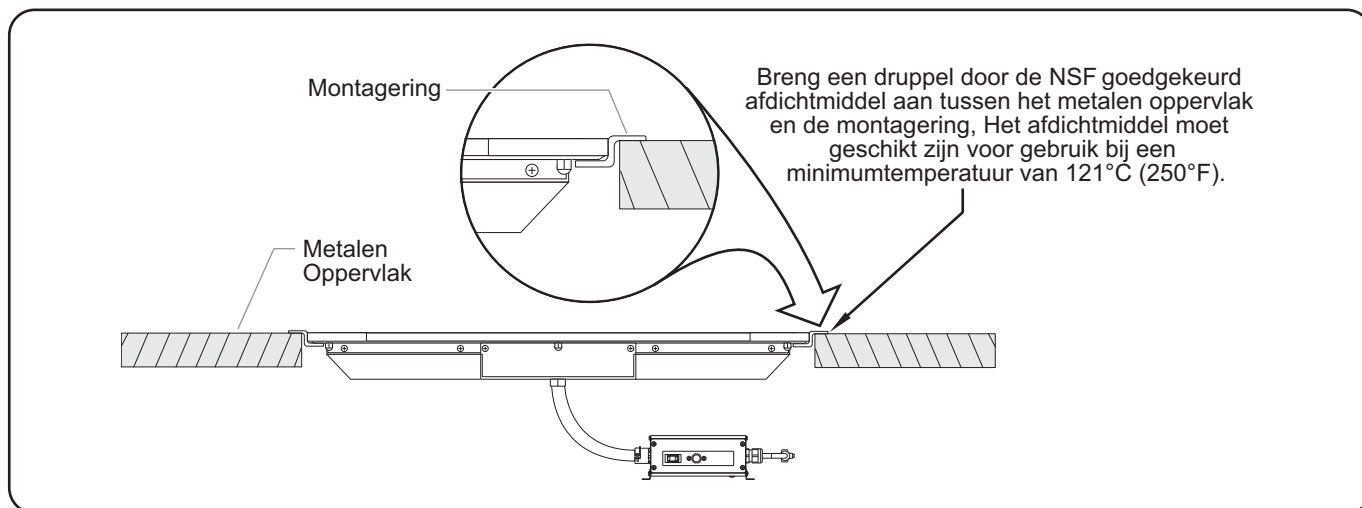
OPMERKING : De afstandsbedieningsdoos dient te worden gemonteerd met schroeven met schroefkop met een minimumdiameter van 1/4" (6 mm) die door de openingen op de montagebeugels worden aangebracht. De afstandsbedieningsdoos moet gemakkelijk kunnen worden verwijderd en mag niet permanent worden gemonteerd.

8. Nadat alle components beveiligd zijn, gaat u door naar het hoofdstuk Bediening.

OPMERKING : Een snoer van 1829 mm (6') wordt met dit apparaat meegeleverd; overmatige snoerlengte dient netjes te worden aangebracht zodat het niet neerhangt.

Tabel HBGB: uitsparing in werkblad

Model	Breedte	Diepte
HBGB-2418	625 mm (24-5/8") – 632 mm (24-7/8")	473 mm (18-5/8") – 480 mm (18-7/8")
HBGB-3018	778 mm (30-5/8") – 784 mm (30-7/8")	473 mm (18-5/8") – 480 mm (18-7/8")
HBGB-3618	930 mm (36-5/8") – 937 mm (36-7/8")	473 mm (18-5/8") – 480 mm (18-7/8")
HBGB-4818	1235 mm (48-5/8") – 1241 mm (48-7/8")	473 mm (18-5/8") – 480 mm (18-7/8")
HBGB-6018	1540 mm (60-5/8") – 1546 mm (60-7/8")	473 mm (18-5/8") – 480 mm (18-7/8")
HBGB-7218	1845 mm (72-5/8") – 1851 mm (72-7/8")	473 mm (18-5/8") – 480 mm (18-7/8")



HBGB-installatie in keukenblad

Algemeen

Gebruik de volgende procedure om de HBG en HBGB-apparaten aan te zetten en te bedienen.

WAARSCHUWING

Lees alle veiligheidsvoorschriften onder Belangrijke veiligheidsinformatie voor u dit apparaat bedient.

ATTENTIE

Zet het apparaat pas aan nadat het grondig is schoongemaakt. Het oppervlak van keramisch glas moet schoon zijn om aanbakken te voorkomen.

Schuif geen pannen over het glazen oppervlak, gebruik geen pannen met ruwe bodem en laat niets op het glazen oppervlak vallen. Dit zou het oppervlak kunnen krassen of breken. Beschadiging of breken van het glas als gevolg van verkeerd gebruik is niet door de garantie gedekt.

Schuif geen pannen over het glazen oppervlak, gebruik geen pannen met ruwe bodem en laat niets op het glazen oppervlak vallen. Dit zou het oppervlak kunnen krassen of breken. Beschadiging of breken van het glas als gevolg van verkeerd gebruik is niet door de garantie gedekt.

1. Maak het glazen oppervlak van het apparaat schoon met een daarvoor geschikte reinigingsdoek of vochtige doek. Constante dagelijkse reiniging maakt het onderhoud gemakkelijk en beschermt het glasoppervlak.

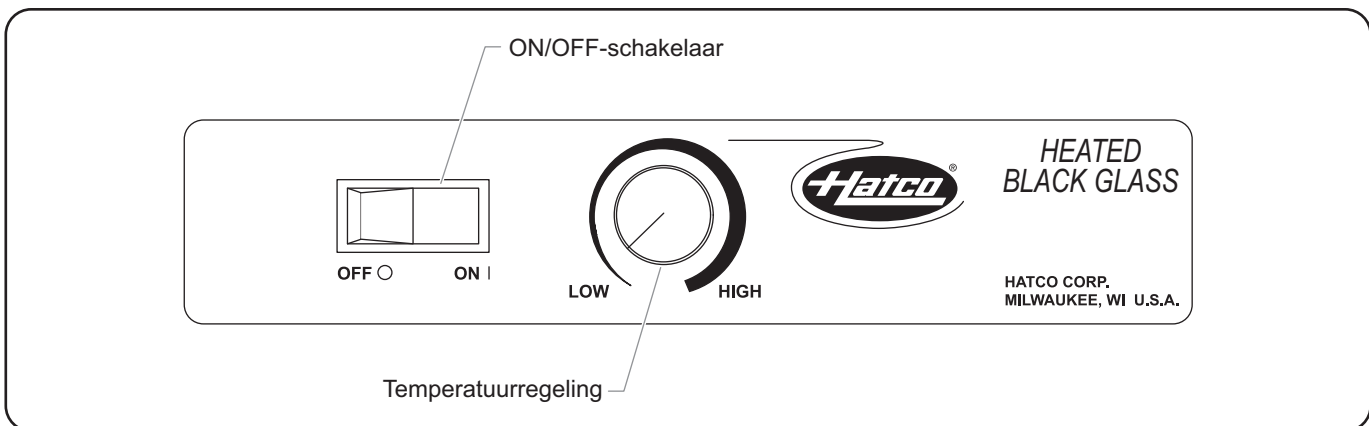
2. Steek de stekker van het apparaat alleen in een naar behoren geaard stopcontact met de correcte spanning, grootte en stekkerconfiguratie. Zie het deel SPECIFICATIES voor details.
3. Zet de aan/uit-schakelaar in de stand AAN.

VOORZICHTIG

GEVAAR VOOR BRANDWONDEN: Sommige oppervlakken aan de buitenkant van het apparaat worden heet. Wees voorzichtig wanneer u deze oppervlakken aanraakt.

4. Stel de temperatuurregeling op de gewenste temperatuur in.
5. Het apparaat bereikt de bedrijfstemperatuur na 30 minuten. Het temperatuurbereik van de zwarte glazen warmhoudplaten is 38° tot 93°C (100° tot 200°F).

OPMERKING: Raadpleeg het hoofdstuk OPTIES EN ACCESSOIRES voor informatie over de installatie en bediening van HBGB-apparaten uitgerust met het verzonken op afstand gemonteerd bedieningspaneel.



Standaardbedieningspaneel

Algemeen

De Zwarte glazen warmhoudplaten is ontworpen voor maximale duurzaamheid en prestaties, met minimaal onderhoud.

⚠ WAARSCHUWING

GEVAAR VOOR ELEKTRISCHE SCHOKKEN:

- Trek de stekker uit het stopcontact en schakel de stroom UIT bij de van een zekering voorziene contactverbreker/stroomonderbreker en laat de eenheid afkoelen alvorens tot onderhoud of schoonmaak over te gaan.
- Dompel het apparaat NIET onder en maak het ook NIET kletsnat. Het apparaat is niet waterbestendig. Gebruik het apparaat niet als het onder werd gedompeld of erg nat werd gemaakt.
- Maak het apparaat niet schoon met stoom en gebruik ook niet al te veel water.

Dit apparaat bevat geen onderdelen die door de gebruiker kunnen worden vervangen. Als het apparaat moet worden hersteld neemt u contact op met een erkend Hatco servicevertegenwoordiger of de Hatco serviceafdeling op het nummer +1-414-671-6350; fax +1-414-671-3976.

ATTENTIE

Gebruik uitsluitend doeken, pads en schoonmaakproducten die speciaal voor het schoonmaken van keramische glasoppervlakken zijn ontworpen. Gebruik van andere doeken, pads of schoonmaakmiddelen kan het keramische glasoppervlak beschadigen.

Zet het apparaat pas aan nadat het grondig is schoongemaakt. Het oppervlak van keramisch glas moet schoon zijn om aanbakken te voorkomen.

Dagelijkse Reiniging

Constance dagelijkse reiniging maakt het onderhoud gemakkelijk en beschermt het glasoppervlak. Zorg ervoor dat u uitsluitend doeken, pads en schoonmaakproducten gebruikt die speciaal voor het schoonmaken van keramische glasoppervlakken zijn ontworpen.

1. Reinig elke dag voordat u het apparaat aanzet het glasoppervlak met een daarvoor geschikte reinigingsdoek of vochtige doek.
2. Op het eind van elkd dag:
 - a. Schakel het apparaat uit en laat het afkoelen.
 - b. Maak het glasoppervlak schoon met een daarvoor geschikte reinigingsdoek of vochtige doek. Als bijkomende reiniging noodzakelijk is, volgt u de procedure "Verwijderen van aangebakken resten" in dit hoofdstuk.

Verwijderen Van Aangebakken Resten

Om aangebakken resten te verwijderen moet u wellicht een reinigingsmiddel voor keramisch glas gebruiken.

1. Laat het apparaat afkoelen.
2. Breng een paar druppels keramische glasreiniger op de restjes aan.
3. Wrijf met een geschikte reinigingsdoek op de resten en oefen zo nodig druk uit.
4. Als er resten achterblijven, herhaalt u de hierboven vermelde stappen zoals nodig.
5. Nadat alle resten zijn verwijderd, poetst u het gehele glasoppervlak op met de keramische glasreiniger en een papieren handdoek.

Verwijderen Van Gemorste Suiker/Kleverige Stoffen

1. Schakel het apparaat uit.
2. Trek een ovenwant aan en verwijder het gros van de gemorste stof met een papieren handdoek.
3. Laat het apparaat afkoelen.
4. Volg de in dit hoofdstuk beschreven procedure voor het "Verwijderen van aangebakken resten" om de rest van de gemorste stof te verwijderen.
5. Gebruik het apparaat pas opnieuw nadat de gemorste stof volledig is verwijderd.

⚠ VOORZICHTIG

Pitting or indentation in the glass surface may occur from sugary spills. If pitting or indentation occurs, the glass surface must be replaced. To prevent further damage and possible injury from broken glass, stop using unit immediately and contact an Authorized Hatco Service Agent.

Verwijderen van metaalsporen en -krassen

Metaalsporen en -krassen van pannen kunnen gewoonlijk worden verwijderd. Wees voorzichtig wanneer u pannen op het glasoppervlak plaatst. Om metaalsporen en -krassen te vermijden, schuif de pannen niet over het glasoppervlak.

1. Laat het apparaat afkoelen.
2. Breng een paar druppels kersmische glasreiniger op de krassen aan.
3. Wrijf over het gekraste oppervlak met een geschikte reinigingsdoek en oefen zo nodig wat kracht uit.
4. Als er nog sporen of krassen zijn, herhaalt u bovenstaande stappen.

OPMERKING : Vergewis u ervan dat of de bodem van de pannen niet ruw is, zodat het glasoppervlak niet wordt gekrast.

OPMERKING : Schade veroorzaakt door morsen van suiker of kleverige stoffen of ruwe pannen wordt niet door de garantie gedekt.

⚠ WAARSCHUWING

Onderhoud aan en herstellingen van dit apparaat mogen alleen worden uitgevoerd door bevoegd personeel. Als onbevoegd personeel het onderhoud of de herstelling uitvoert kan dat tot elektrische schokken of brandwonden leiden.

⚠ WAARSCHUWING

GEVAAR VOOR ELEKTRISCHE SCHOKKEN: Trek de stekker uit het stopcontact en schakel de stroom **UIT** bij de van een zekering voorziene contactverbreker/stroomonderbreker en laat de eenheid afkoelen alvorens tot onderhoud of schoonmaak over te gaan.

Symptoom	Mogelijke Oorzaak	Corrigerende-Maatregel
Apparaat te warm.	Temperatuur te hoog ingesteld.	Stel de temperatuur lager in.
	Temperatuurregeling zit vast op de AAN-stand.	Neem contact op met een erkend servicevertegenwoordiger of met Hatco voor assistentie.
	Apparaat op onjuiste voedingsbron aangesloten.	Controleer met bevoegd personeel of de voedingsbron overeenstemt met de specificaties van het apparaat.
Apparaat niet warm genoeg.	Temperatuur te laag ingesteld.	Stel de temperatuur hoger in.
	Locatie van het apparaat is onderhevig aan luchtstroom (leidingen van air conditioning of afzuigventilatoren).	Blokkeer de luchtstroom of verplaats het apparaat.
Apparaat werkt helemaal niet.	Stekker van apparaat zit niet in stopcontact.	Sluit het apparaat op de juiste voedingsbron aan.
	Apparaat niet ingeschakeld.	Zet de ON/OFF-schakelaar in de stand ON (aan).
	AAN/OFF-schakelaar defect.	Neem contact op met een erkend servicevertegenwoordiger of met Hatco voor assistentie.
	Verwarmingselement is doorgebrand.	Neem contact op met een erkend servicevertegenwoordiger of met Hatco voor assistentie.
	Temperatuurregeling is defect.	Neem contact op met een erkend servicevertegenwoordiger of met Hatco voor assistentie.

Vragen over het oplossen van problemen?

Als het u niet lukt om een probleem op te lossen, kunt u met het dichtstbijzijnde door Hatco erkende serviceagentschap of met Hatco contact opnemen voor assistentie. Om het dichtstbijzijnde serviceagentschap te vinden, meldt u zich aan op de website www.hatcocorp.com en klikt u op *Find Service Agent*, of neemt u contact op met het team onderdelen en service op:

Telefoonnummer: 414-671-6350 e-mailadres: partsandservice@hatcocorp.com Faxnummer: 414-671-3976

OPTIES EN ACCESSOIRES

Handvatten (HBG Model)

De volgende handvatten zijn verkrijgbaar voor het HBG-apparaat.

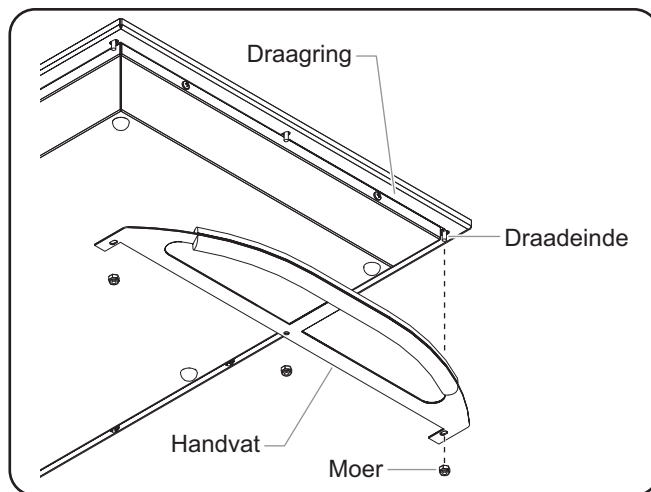
HANDLE-18-SSRonde roestvrijstalen handvatten

HANDLE-18-BLK ..Designer zwarte ronde roestvrijstalen handvatten met poedercoating.

Ter plaatse retrofitten van de handvatten is mogelijk; zij worden als volgt op ieder uiteinde van het apparaat geïnstalleerd.

Op ieder uiteinde van het apparaat:

1. Verwijder de drie moeren op de onderkant van de draagring van het glasoppervlak.
2. Breng de drie openingen op het handvat op een lijn met de drie draadeinden van de draagring en plaats het handvat op de draadeinden.
3. Breng de drie moeren opnieuw op de draadeinden aan en draai goed aan.



Installatie Van Handvat

Op Afstand Gemonteerd Bedieningspaneel (HBGB Model)

Een verzonken op afstand gemonteerd bedieningspaneel is verkrijgbaar voor het HBGB-apparaat als een door de fabriek geïnstalleerde optie. Het bedieningspaneel wordt als volgt bij de gebruiker geïnstalleerd.

⚠ WAARSCHUWING

GEVAAR VOOR ELEKTRISCHE SCHOKKEN: Voor een goede en veilige werking moet het bedieningspaneel op afstand op een verticale wand worden gemonteerd.

ATTENTIE

Het op afstand gemonteerde bedieningspaneel dient buiten de warmtezone te worden geïnstalleerd. Als het paneel binnen de zone wordt geïnstalleerd, zal/zullen de regeling(en) oververhitten, slecht functioneren en defect raken.

Wijzig de bedrading niet of knip de capillaire thermostaadraad op de regelkast niet af om de afstand voor het monteren ervan te vergroten. Als de capillaire draad van de thermostaat wordt doorgeknipt, zal het apparaat oververhitten en kan het apparaat en het omringende oppervlak worden beschadigd.

OPMERKING: Het wordt aangeraden om het op afstand gemonteerde bedieningspaneel door een bevoegde elektriciën te laten installeren.

1. Maak de insnijding klaar en zorg dat de schroefopeningen zijn voorgeboord.
2. Verwijder de randbedekking van het bedieningspaneel.
3. Breng het bedieningspaneel via de achterkant in de opening aan.
4. Maak het bedieningspaneel met (niet meegeleverde) schroeven aan het oppervlak vast.
5. Sluit het bedieningspaneel op een naar behoren geaard stopcontact met de correcte spanning, grootte en stekkerconfiguratie. Raadpleeg het hoofdstuk SPECIFICATIES voor nadere details.
6. Breng de randbedekking opnieuw aan.

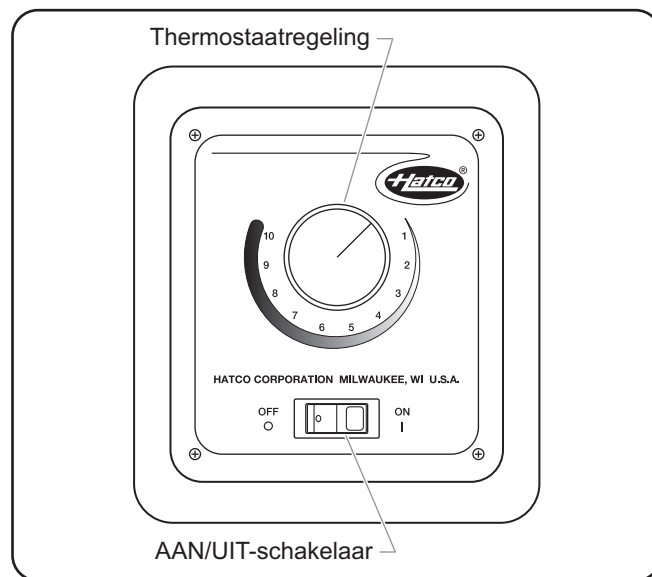
OPMERKING: De apparaten zijn uitgerust met een 914 mm (3'), 1829 mm (6'), or 3048 mm (10') lange flexibele leiding voor aansluiting van het bedieningspaneel op het apparaat.

Aan/uit-schakelaar

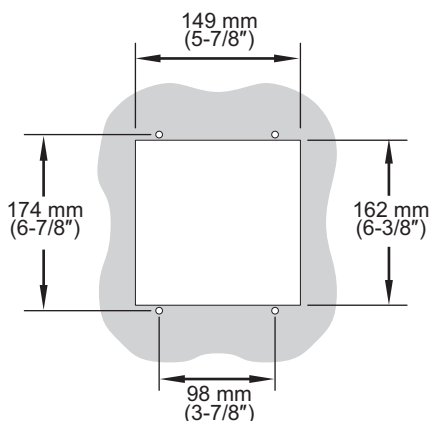
Beide vlakke regeldozen voor montage op afstand beschikken over een aan/uit-schakelaar (I/O). Plaats de aan/uit-schakelaar (I/O) op aan (on) om de eenheid in te schakelen. Het controlelampje in de schakelaar licht op als het apparaat aan staat.

Instelling van de Thermostaat

Draai de thermostaatknop met de wijzers van de klok mee om de temperatuur te verhogen. Draai de thermostaatknop tegen de wijzers van de klok in om de temperatuur te verlagen.



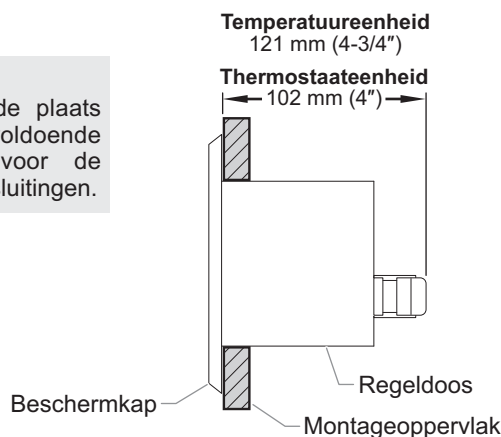
Thermostaateenheid



Vooraanzicht van de Uitsparing

BELANGRIJK:

Controleer of de plaats van installatie voldoende ruimte biedt voor de elektrische aansluitingen.



Zijaanzicht van de Geïnstalleerde Regeldoos

Afmetingen voor Installatie op Afstand van de Regeldoos

De ingestelde temperatuur wijzigen: digitale temperatuurregelaars

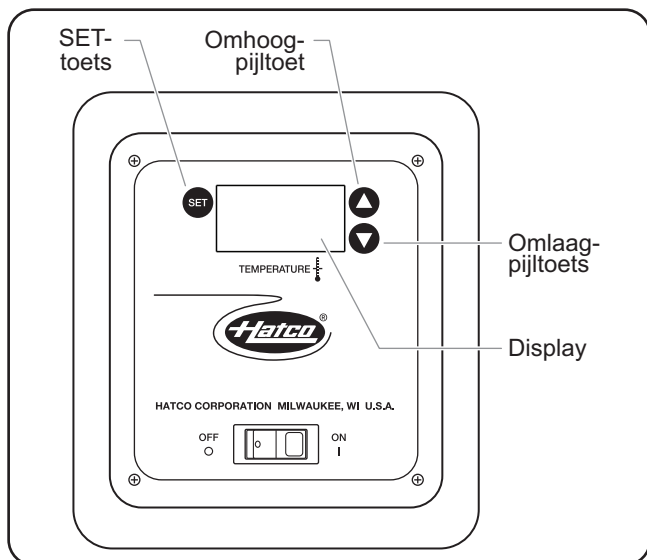
Toestellen die zijn uitgerust met een digitale temperatuurregelaar worden na inschakeling automatisch opgewarmd tot de ingestelde temperatuur. Wijzig de ingestelde temperatuur van het toestel met behulp van de volgende procedure.

OPMERKING: De in de display weergegeven temperatuur is mogelijk niet accuraat wanneer de temperatuur van het toestel onder 54 °C (130 °F) ligt.

Als de programmeersequentie wordt onderbroken vóór uitvoering van de laatste stap, zullen de gewijzigde waarden niet worden opgeslagen in het geheugen.

1. Druk driemaal op de **set** -knop. In de TEMPERATUUR-display verschijnt nu de ingestelde temperatuur (na de tweede druk op de knop verschijnt 'SP' voor 'setpoint'.)
2. Druk binnen max. 10 seconden op de **▲** -knop of op de **▼** -knop om de ingestelde temperatuur te wijzigen.
3. Druk op de **set** -knop om de nieuw ingestelde temperatuur te vergrendelen. De TEMPERATUUR-display wordt twee seconden blanco om aan te geven dat de nieuwe temperatuur correct is aanvaard.

OPMERKING: Als u tijdens de programmering 10 seconden geen knop indrukt, dan wordt de programmeringsmodus automatisch uitgeschakeld zonder enige wijzigingen op te slaan.



Digitale temperatuurregelaar

De weergave in Fahrenheit of Celsius wijzigen: digitale temperatuurregelaar

Volg de onderstaande procedure om de display te schakelen tussen Fahrenheit en Celsius.

1. Druk eenmaal op de **set** -knop. Er verschijnt nu 'F' voor Fahrenheit of 'C' voor Celsius.
2. Druk binnen max. 10 seconden op de **▲** -knop of op de **▼** -knop om te schakelen tussen 'F' (Fahrenheit) en 'C' (Celsius).

3. Druk op de **set** -knop om de nieuwe instelling te vergrendelen. De TEMPERATUUR-display wordt twee seconden blanco om aan te geven dat de nieuwe temperatuur correct is aanvaard.

OPMERKING: Als u tijdens de programmering 10 seconden geen knop indrukt, dan wordt de programmeringsmodus automatisch uitgeschakeld zonder enige wijzigingen op te slaan.

Regelbare Poten van 102 mm (HBG Model)

Ga als volgt te werk om de rubberen poten van een HBG-apparaat te vervangen door regelbare poten van 102 mm (4").

OPMERKING: Poten van 102 mm (4") worden meegeleverd met modellen die meer dan 1041 mm (36") breed zijn.

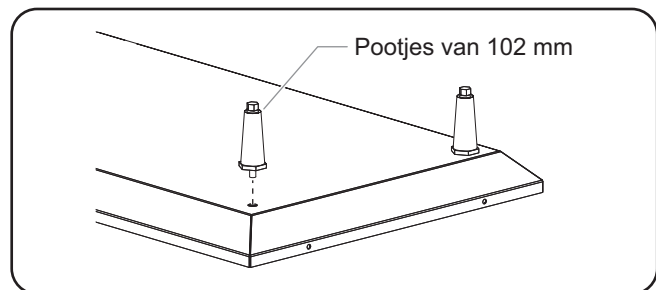
⚠ WAARSCHUWING

GEVAAR VOOR ELEKTRISCHE SCHOKKEN: Zet de stroomschakelaar in de stand **UIT**, haal de stekker uit het stopcontact en laat het apparaat volledig afkoelen voordat u het onderhoud of schoonmaakt.

ATTENTIE

Leg het apparaat niet op de zijkant met de bedieningselementen want anders kan het apparaat beschadigd raken.

1. Schakel het apparaat uit, haal de stekker uit het stopcontact en laat het apparaat afkoelen.
2. Keer het apparaat voorzichtig ondersteboven en leg het op een vlak oppervlak. Vergeet niet het oppervlak te bedekken om krassen in het glas te voorkomen.
3. Verwijder van elke hoek de stelschroeven en rubberen voetjes.



Montage van de pootjes van 102 mm

4. Schroef in elke hoek een pootje van 102 mm door de bodem van het onderstel.

OPMERKING: De voetjes onder aan de poten van 102 mm (4") zijn verstelbaar, zodat u het toestel waterpas kunt zetten. Gebruik een steeksleutel van 16 mm om de poten vlak te stellen zodra het toestel in de eindpositie geplaatst is.

1. PRODUCTGARANTIE

Hatco garandeert dat de producten die zij vervaardigt (de "Producten") vrij zijn van materiaalfouten bij normaal gebruik en onderhoud, gedurende de periode van één (1) jaar vanaf de aankoopdatum als ze geïnstalleerd en onderhouden worden in overeenstemming met de schriftelijke instructies van Hatco of gedurende 18 maanden na datum van verzending door Hatco. De koper van het product moet de aankoopdatum valideren door het product te registreren bij Hatco of door andere bevredigende middelen naar Hatco's eigen goeddunken.

Hatco garandeert dat de volgende productonderdelen vrij zijn van defecten in materialen vanaf de aankoopdatum (onderhevig aan de voorafgaande voorwaarden) voor de periode(n) in overeenstemming met de voorwaarden die hieronder worden gespecificeerd:

a) Twee (2) jaar garantie op onderdelen:

- Elementen bandtoaster (bekleed met metaalplaten)
- Schuifverwarmingselementen (metalen bekleding)
- Schuifverwarmer schuifrollers en glijdingen
- Elementen van verwarmingsstrip (metalen bekleding)
- Uitstalverwarmingselementen (luchtverwarming met metalen bekleding)
- Elementen van het wachtcabinet (luchtverwarming met metalen bekleding)
- Ingebouwde elementen van warmhoudketel — HWB-serie (met metalen bekleding)

b) Vijf (5) jaar garantie op onderdelen:

- 3CS- en FR-tanks

c) Tien (10) jaar garantie op onderdelen:

- Extra elektrische boilers
- Extra gasboilers

d) Negentig (90) dagen garantie op onderdelen:

- Vervangingsonderdelen

DE VOORAFGAANDE GARANTIES ZIJN EXCLUSIEF EN VERVANGEN ALLE ANDERE GARANTIES, OFWEL UITDRUKKELIJK OF GEÏMPLICEERD, MET INBEGRIJ VAN, MAAR NIET BEPERKT TOT, ENIGE GEÏMPLICEERDE GARANTIE VAN VERKOOPBAARHEID, OF GESCHIKTHEID VOOR EEN BEPAALD DOEL, OF OCTROOI, OF ANDERE INBREUK OP INTELLECTUELE EIGENDOMSRECHTEN. Zonder de algemeenheid van het voorafgaande te beperken DEKKEN ZULKE GARANTIES NIET HET VOLGENDE: Gloeilampen met coating, fluorescentielampen, verwarmingspeertjes van lampverwarmer, glazen onderdelen, defecten in aanjagertank, xenongloeilampen, LED-buizen, warmtewisselaar met koelribben of andere waterverwarmingvoorzieningen veroorzaakt door verkalking, de afzetting van sediment, chemische aantasting of bevriezing, misbruik van, het knoeien aan of het verkeerd gebruiken van het Product, verkeerde installatie of het gebruik van een verkeerd voltage.

2. BEPERKING VAN REMEDIES EN SCHADE

De aansprakelijkheid van Hatco en de exclusieve rechtsmiddelen van kopers hieronder zullen enkel en alleen beperkt zijn tot vervanging van onderdelen of productgebruik, naar keuzen van Hatco, nieuwe of opgeknapte onderdelen of producten of een door Hatco geautoriseerd servicebedrijf met betrekking tot enige claims die ingediend worden binnen de toepasselijke garantietermijn waarnaar hierboven verwezen wordt. Hatco behoudt zich het recht voor om elke dergelijke vordering geheel of gedeeltelijk te aanvaarden of te verwerpen. In de context van deze beperkte garantie betekent "opgewerkt" een onderdeel of Product dat door Hatco of een door Hatco erkend serviceagentschap terug volgens de originele specificaties is ingesteld. Hatco aanvaardt geen geretourneerde Producten zonder voorafgaandelijk verkregen schriftelijke toestemming van Hatco, en alle onkosten voor goedgekeurde geretourneerde producten zijn ten laste van de Koper. ONDER GEEN ENKELE OMSTANDIGHEDEN ZAL HATCO AANSPRAKELIJK GESTELD WORDEN VOOR GEVOLGSCHADE OF BIJKOMENDE SCHADE, MET INBEGRIJ VAN, MAAR NIET BEPERKT TOT, ARBEIDSONKOSTEN OF WINSTDERIVING RESULTERENDE VAN HET GEBRUIK VAN OF HET ONVERMOGEN DE PRODUCTEN TE GEBRUIKEN, OF VAN DE PRODUCTEN DIE GEÏNCORPOREERD WORDEN IN OF EEN ONDERDEEL WORDEN VAN ENIG ANDER PRODUCT OF ENIGE ANDERE GOEDEREN.

INFORMATIE OVER GARANTIESERVICE

De garantie op zwarte glazen warmhoudplaten geldt één jaar vanaf de datum van aanschaf of achttien maanden vanaf de datum van verzending van Hatco, indien dit eerder is.

Als u tijdens de garantietermijn een probleem hebt met een Zwarte glazen warmhoudplaten, kunt u het volgende doen:

Contact opnemen met een Plaatselijke Hatco-dealer

Wanneer u contact opneemt met een Hatco-dealer voor hulp en service, geef de dealer dan de volgende informatie om verzekerd te zijn van onmiddellijke behandeling:

- Model van de unit
- Serienummer (op de onderkant van het apparaat)
- Het Specifieke Probleem met de unit
- Aankoopdatum
- Naam van uw Bedrijf
- Verzendadres
- Naam en Telefoonnummer van Contactpersoon

De Hatco-dealer doet het Volgende:

- Vereiste Vervangende Onderdelen Verschaffen
- Garantieclaim aan Hatco zenden voor Verwerking

Problemen buiten de garantie

Als u een probleem hebt buiten de garantie dat ondersteuning vereist, gelieve het dichtstbijzijnde door Hatco geautoriseerd onderhoudsbedrijf te contacteren. Om het dichtstbijzijnde onderhoudsbedrijf te vinden:

- gan naar onze website www.hatcocorp.com, selecteer de Resources menu, en klik op "Find Service Agent/Distributor".
- bel Hatco Service op 414-671-6350.
- e-mail Hatco Service naar partsandservice@hatcocorp.com

GB Symbol Identification

ES Identificación de los símbolos

FR Identification de Symbole



Caution — Hot Surface
Precaución: superficie caliente
Attention - Surface Chaude



Power ON
Encendido
Puissance Sur



Power OFF
Apagado
Hors Tension



Standby
En espera
Veille



Protective Earth Ground
Puesta a tierra protectora
La Terre de Protection



Earth Ground
Puesta a tierra
Mise à la Terre



Equipotential Ground
Masa equipotencial
Rez de Potentiel



Alternating Current
Corriente alterna
Courant Alternatif



Water Fill, Low Water
Llenado de agua, bajo nivel de agua
Remplir d'eau, Bas Niveau d'eau



Humidity, Humidity Cycle
Humedad, ciclo de humedad
Humidité, Cycle Humidité

DE Symbolerklärung

IT Identificazione del simbolo

NL Uitleg bij de symbolen



Achtung – Heiße Oberfläche
Attenzione: superficie calda
Let op: heet oppervlak



Einschalten
Acceso
Ingeschakeld



Ausschalten
Spento
Uitgeschakeld



Standby
Standby
Standby



Schutzerde
Messa a terra protettiva
Beschermdende aarding



Erde
Messa a terra
Aarding



Erdung mit Potenzialausgleich
Terra equipotenziale
Vereffeningsleiding



Wechselstrom
Corrente alternata
Wisselstroom



Wasser auffüllen, Wasserstand niedrig
Riempire con acqua, acqua insufficiente
Water bijvullen, laag waterpeil



Feuchtigkeit, Befeuchtungszyklus
Umidità, ciclo di umidità
Vochtigheid, bevochtigingscyclus

HATCO CORPORATION

P.O. Box 340500

Milwaukee, WI 53234-0500 U.S.A.

Telephone 414-671-6350

International Fax 414-671-3976

partsandservice@hatcocorp.com

www.hatcocorp.com