

hatcocorp.com

Register Online!
(see page 2)

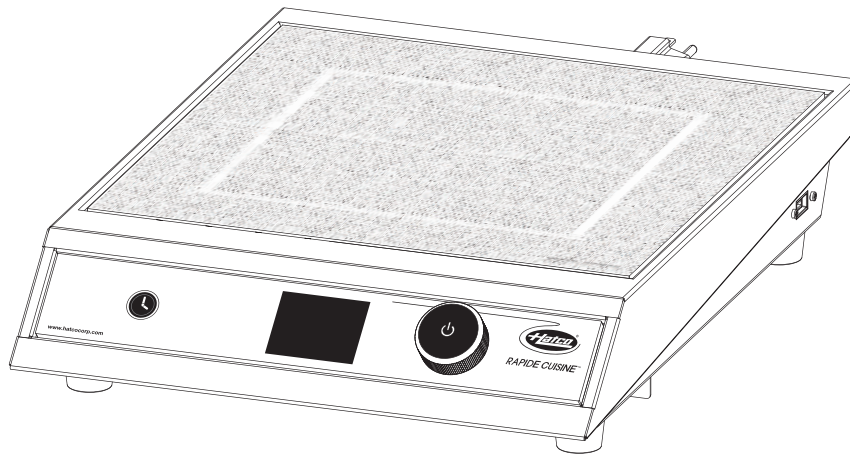
S'inscrire en ligne !
(voir page 12)



Rapide Cuisine™ Induction Range Cuisinière à induction

IRNG Series/Série, H Type/Type H

Installation and Operating Manual Manuel d'installation et d'utilisation



⚠ WARNING

Do not operate this equipment unless you have read and understood the contents of this manual! Failure to follow the instructions contained in this manual may result in serious injury or death. This manual contains important safety information concerning the maintenance, use, and operation of this product. If you're unable to understand the contents of this manual, please bring it to the attention of your supervisor. Keep this manual in a safe location for future reference.

English = p 2

⚠ ADVERTENCIA

No opere este equipo al menos que haya leído y comprendido el contenido de este manual! Cualquier falla en el seguimiento de las instrucciones contenidas en este manual puede resultar en un serio lesión o muerte. Este manual contiene importante información sobre seguridad concerniente al mantenimiento, uso y operación de este producto. Si usted no puede entender el contenido de este manual por favor pregunte a su supervisor. Almacenar este manual en una localización segura para la referencia futura.

⚠ AVERTISSEMENT

Ne pas utiliser cet équipement sans avoir lu et compris le contenu de ce manuel ! Le non-respect des instructions contenues dans ce manuel peut entraîner de graves blessures ou la mort. Ce manuel contient des informations importantes concernant l'entretien, l'utilisation et le fonctionnement de ce produit. Si vous ne comprenez pas le contenu de ce manuel, veuillez le signaler à votre supérieur. Conservez ce manuel dans un endroit sûr pour pouvoir vous y référer plus tard.

Français = p 12

Important Owner Information	2	Operation	7
Introduction	2	General.....	7
Important Safety Information	3	Using the Timer.....	8
Model Description	4	Updating Firmware.....	8
Model Designation	4	Maintenance	9
Specifications	5	General.....	9
Plug Configurations.....	5	Daily Cleaning.....	9
Electrical Rating Chart.....	5	Cleaning the Air Inlet Filter.....	9
Dimensions.....	5	Troubleshooting Guide	10
Installation	6	Limited Warranty	11
General.....	6	Service Information	11
		Authorized Parts Distributors	Back Page

IMPORTANT OWNER INFORMATION

Record the model number, serial number, voltage, and purchase date of your strip heater in the spaces below (specification label located on the underside of the unit). Please have this information available when calling Hatco for service assistance.

Model No. _____

Serial No. _____

Voltage _____

Date of Purchase _____

Register your unit!

• Completing online warranty registration will prevent delay in obtaining warranty coverage. Access the Hatco website at www.hatcocorp.com, select the *Parts & Service* pull-down menu, and click on "Warranty Registration".

Business Hours: 7:00 AM to 5:00 PM Central Standard Time (CST)
 (Summer Hours: June to September—
 7:00 AM to 5:00 PM CST Monday–Thursday
 7:00 AM to 4:00 PM CST Friday)

Telephone: 800-558-0607; 414-671-6350

E-mail: partsandservice@hatcocorp.com



24 Hour 7 Day Parts and Service Assistance available in the United States and Canada by calling 800-558-0607.

Additional information can be found by visiting our web site at www.hatcocorp.com.

This device complies with Part 18 of the FCC Rules.

INTRODUCTION

Hatco Induction Ranges offer a safe, quick, efficient, and attractive way to prepare foods in commercial kitchens as well as display cooking locations (omelet bars, buffets, etc...). The high efficiency, accuracy, and speed of induction cooking make Hatco Induction Ranges the perfect choice for quality foodservice organizations.

Induction cooking relies on the creation of a magnetic field between the induction coils below the glass surface of the unit and an "induction-ready" pan sitting on top of the glass surface. This magnetic field generates induction currents in the base of the pan, which heat the pan instantly. That heat then is transferred to the pan contents. Since the magnetic field exists only between the induction coils and a magnetic material (ferrous material), the glass surface between the two does not become heated, eliminating heat loss and increasing efficiency. When the magnetic field is "broken" by turning off the unit or removing the pan, heat generation stops instantly.

Hatco Induction Ranges are products of extensive research and field testing. The materials used were selected for maximum durability, attractive appearance, and optimum performance. Every unit is inspected and tested thoroughly prior to shipment.

This manual provides the installation, safety, and operating instructions for Hatco Induction Ranges. Hatco recommends all installation, operating, and safety instructions appearing in this manual be read prior to installation or operation of a unit.

Safety information that appears in this manual is identified by the following signal word panels:



WARNING indicates a hazardous situation which, if not avoided, could result in death or serious injury.



CAUTION indicates a hazardous situation which, if not avoided, could result in minor or moderate injury.



NOTICE is used to address practices not related to personal injury.

⚠ Read the following important safety information before using this equipment to avoid serious injury or death and to avoid damage to equipment or property.

⚠ WARNING

ELECTRIC SHOCK HAZARD:

- Plug unit into a properly grounded electrical receptacle of the correct voltage, size, and plug configuration. If plug and receptacle do not match, contact a qualified electrician to determine and install proper voltage and size electrical receptacle.
- Turn OFF power, unplug power cord, and allow unit to cool before performing any cleaning, adjustments, or maintenance.
- DO NOT submerge or saturate with water. Do not allow liquids to spill into unit. Unit is not waterproof. Do not operate if unit has been submerged or saturated with water.
- Unit is not weatherproof. Locate unit indoors where ambient air temperature is a minimum of 70°F (21°C) and a maximum of 124°F (51°C) .
- Do not steam clean or use excessive water on the unit.
- This unit is not “jet-proof” construction. Do not use jet-clean spray to clean this unit.
- Do not clean unit when it is energized or hot.
- Do not pull unit by power cord.
- Discontinue use if power cord is frayed or worn.
- Do not attempt to repair or replace a damaged power cord. Cord must be replaced by an Authorized Hatco Service Agent or a person with similar qualifications.
- This unit must be serviced by qualified personnel only. Service by unqualified personnel may lead to electric shock or burn.
- Use only Genuine Hatco Replacement Parts when service is required. Failure to use Genuine Hatco Replacement Parts will void all warranties and may subject operators of the equipment to hazardous electrical voltage, resulting in electrical shock or burn. Genuine Hatco Replacement Parts are specified to operate safely in the environments in which they are used. Some after-market or generic replacement parts do not have the characteristics that will allow them to operate safely in Hatco equipment.

EXPLOSION HAZARD: Do not heat unopened containers of food on unit. Sealed, heated containers may burst open.

ELECTROMAGNETIC INTERFERENCE HAZARD: This unit generates close-range electromagnetic fields. It has been designed to meet the applicable standards for non-interference with other electronic devices. Make sure other electronic devices in the vicinity, including pacemakers and other active implants, have been designed to meet their corresponding applicable standards. As a precaution, do not operate unit or come within 12" (305 mm) of unit with a pacemaker or other active implant.

This unit is not intended for use by children or persons with reduced physical, sensory, or mental capabilities. Ensure proper supervision of children and keep them away from unit.

Make sure all operators have been instructed on the safe and proper use of the unit.

⚠ WARNING

FIRE HAZARD:

- Locate unit a minimum of 2" (51 mm) from combustible walls and materials. If safe distances are not maintained, discoloration or combustion could occur.
- Do not obstruct air ventilation openings on sides and bottom of unit. Unit combustion or malfunction may occur.
- Do not place unit near or underneath curtains or other combustible materials. Items near or above unit could catch fire causing injury and/or damage to unit.

This unit has no “user-serviceable” parts. If service is required on this unit, contact an Authorized Hatco Service Agent or contact the Hatco Service Department at 800-558-0607 or 414-671-6350.

⚠ CAUTION

BURN HAZARD:

- Do not leave metal objects or utensils on or near induction range. They may become hot.
- Use caution when wearing rings, watches, or other ferrous objects around induction range. They may become hot.
- Some exterior surfaces on unit will get hot. Use caution when touching these areas.

Do not block or restrict air flow to air intake or exhaust openings on sides or bottom of unit.

Do not store anything on top of unit.

Locate unit at proper counter height in an area that is convenient for use. Location should be level to prevent unit or its contents from falling accidentally and strong enough to support weight of unit and contents.

NOTICE

Plug unit into a dedicated circuit. Do not use multiple appliances on same circuit.

Never use aluminum foil on induction range. Aluminum foil will melt and damage unit.

Do not place objects with magnetic properties (credit cards, cassette tapes, etc...) on or near unit during operation.

Do not locate unit in area with excessive air movement around unit. Avoid areas that may be subject to active air movements or currents (i.e., near exhaust fans/hoods, air conditioning ducts, and exterior doors).

Use only wipes, pads, and cleaners designed specifically for cleaning ceramic glass surfaces.

Use non-abrasive cleaners and cloths only. Abrasive cleaners and cloths could scratch finish of unit, marring its appearance and making it susceptible to soil accumulation.

This unit is intended for commercial use only—NOT for household use.

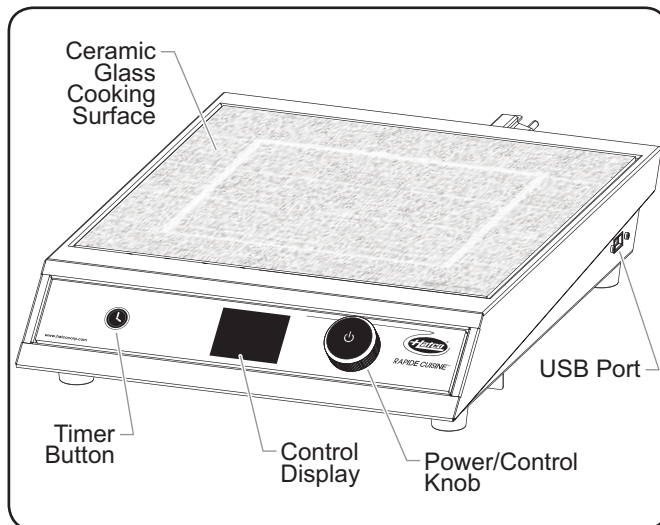
MODEL DESCRIPTION

Hatco H Type Induction Ranges are portable, countertop induction ranges equipped with a single induction coil underneath a ceramic glass cooking surface. H Type models feature a glass touch control panel with a Timer Button, a Control Knob, and a Control Display. All H Type Induction Ranges include a removable air inlet filter and an attached 71" (1800 mm) power cord with plug.

NOTE: Refer to "Pan Specifications" in the OPERATION section of this manual for details on "induction-ready" pans, pans not suitable for induction cooking, and pan sizes.

Hatco H Type Induction Ranges have several safeguards built into each unit that ensure protection to the unit as well as the operators.

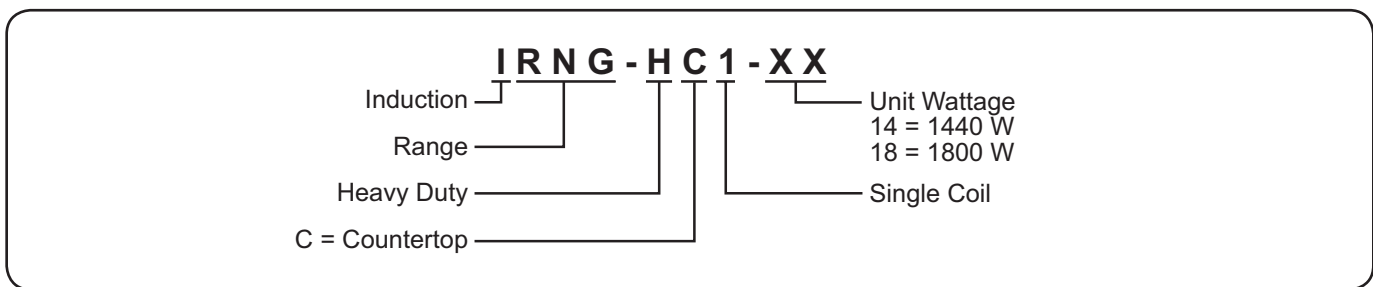
- A cross-flow fan ventilation system ensures that the electronic circuits in the unit do not overheat. Temperature probes monitor the electronic circuits and will signal the unit to shut down if the circuits get too hot.
- A removable air inlet filter that helps prevent grease-laden air from entering the ventilation system of the unit.
- A temperature probe in the cooking zone monitors the zone temperature. This probe detects overheating in the cooking zone due to an empty pan.
- Electronic circuitry in the cooking zone detects when a small, ferrous object (such as a fork, spoon, or ring) is placed on the unit, and the unit will not operate.



H Type Countertop Model

NOTE: For the latest firmware updates, cooking tips, and more, go to the Hatco Induction Range website: www.hatcocorp.com/rapide_cuisine

MODEL DESIGNATION



Plug Configurations

Units are supplied from the factory with an electrical cord and plug installed. Plugs are supplied according to the application.



ELECTRIC SHOCK HAZARD: Plug unit into a properly grounded electrical receptacle of the correct voltage, size, and plug configuration. If plug and receptacle do not match, contact a qualified electrician to determine and install proper voltage and size electrical receptacle.



NEMA 5-15P

NEMA 5-20P

Plug Configurations

NOTE: Receptacle not supplied by Hatco. All units must be connected to a dedicated circuit.

NOTE: The specification label is located on the bottom of the unit. See label for serial number and verification of unit electrical information.

Electrical Rating Chart

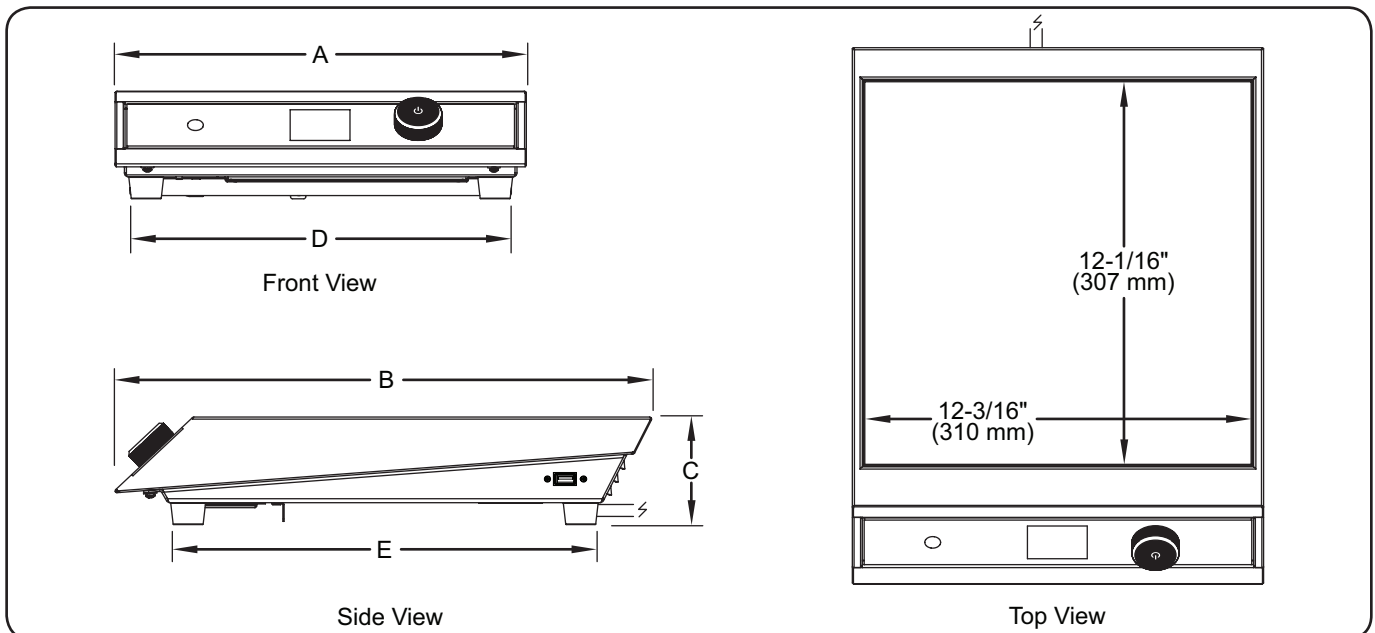
Model	Voltage	Watts	Amps	Plug Configuration	Shipping Weight
IRNG-HC1-14	120	1440	12	NEMA 5-15P	17 lbs. (8 kg)
IRNG-HC1-18	120	1800	15	NEMA 5-15P*	17 lbs. (8 kg)

* NEMA 5-20P for Canada.

NOTE: Shipping weight includes packaging.

Dimensions

Model	Width (A)	Depth (B)	Height (C)	Footprint Width (D)	Footprint Depth (E)
IRNG-HC1-14	13" (330 mm)	17" (431 mm)	3-7/16" (86 mm)	12" (304 mm)	13-3/8" (339 mm)
IRNG-HC1-18	13" (330 mm)	17" (431 mm)	3-7/16" (86 mm)	12" (304 mm)	13-3/8" (339 mm)



General

Induction Ranges are shipped completely assembled and ready for use. Care should be taken when unpacking the shipping carton to avoid damage to the unit and components enclosed.

WARNING

ELECTRIC SHOCK HAZARD: Unit is not weatherproof. Locate unit indoors where ambient air temperature is a minimum of 70°F (21°C) and a maximum of 124°F (51°C) .

FIRE HAZARD:

- **Locate unit a minimum of 2" (51 mm) from combustible walls and materials. If safe distances are not maintained, discoloration or combustion could occur.**
- **Do not obstruct air ventilation openings on sides and bottom of unit. Unit combustion or malfunction may occur.**
- **Do not place unit near or underneath curtains or other combustible materials. Items near or above unit could catch fire causing injury and/or damage to unit.**

CAUTION

Do not block or restrict air flow to air intake or exhaust openings on sides or bottom of unit.

Locate unit at proper counter height in an area that is convenient for use. Location should be level to prevent unit or its contents from falling accidentally and strong enough to support weight of unit and contents.

NOTICE

Do not locate unit in area with excessive air movement around unit. Avoid areas that may be subject to active air movements or currents (i.e., near exhaust fans/hoods, air conditioning ducts, and exterior doors).

1. Remove the unit from the carton.
2. Remove tape and protective packaging from all surfaces of the unit.

NOTE: To prevent delay in obtaining warranty coverage, complete online warranty registration. See IMPORTANT OWNER INFORMATION for details.

3. Place the unit in the desired location. Make sure the location:
 - is level and at the proper counter height.
 - is strong enough to support the unit and its contents.
 - provides a minimum of 2" (51 mm) clearance from combustible materials.
 - is large enough for all four feet of the unit to be positioned securely on the countertop.

General

Use the following information and procedures to operate H Type Induction Ranges. **NOTICE: Do not move a countertop unit during operation.**



WARNING

Read all safety messages in the **IMPORTANT SAFETY INFORMATION** section before operating this equipment.



CAUTION

BURN HAZARD:

- Do not leave metal objects or utensils on or near induction range. They may become hot.
- Use caution when wearing rings, watches, or other ferrous objects around induction range. They may become hot.
- Some exterior surfaces on unit will get hot. Use caution when touching these areas.

Pan Specifications

Pans used with an Induction Range must meet the following specifications:

- Made of material with magnetic properties (ferrous material)
 - Enameled Steel Pans
 - Cast Iron Pans
 - Stainless Steel Pans
 - Aluminum Pans w/ferrous base
- Proper size (measurements given are the pan bottom diameter)
 - Minimum = 4" (102 mm), Maximum = 13" (330 mm)
- Flat bottom

The following pans **cannot** be used with an Induction Range:

- Glass Pans
- Aluminum Pans without a ferrous base
- Earthenware Pans
- Ceramic Pans
- Copper Pans

NOTE: The Induction Range automatically detects if a pan is induction-ready. If a pan is placed on the unit during operation that is not induction-ready, a pan icon with the message "Non-Compatible" will appear on the Control Display, and the unit will not operate.



Startup

1. Before turning on the unit each day, clean the glass cooking surface using an appropriate cleaning wipe, damp paper towel, or a damp cloth. **CAUTION! Wipe up all spills and splashes immediately. Make sure unit is dry before using. Do not allow liquid to run into air inlet filter on bottom of unit.**

NOTE: The unit can be turned off at any time by pushing the Control Knob.

NOTE: The cooling fan in the unit will not start until the unit gets hot. Once the fan turns on, it will run until the unit cools.

2. Plug the unit into a properly grounded electrical receptacle of the correct voltage, size, and plug configuration. See the SPECIFICATIONS section for details.

- A Welcome Screen will appear on the Control Display for a few seconds, then the display will go blank.

3. Place an induction-ready pan on the unit. The Induction Range will not operate without a pan centered inside the cooking zone pattern on the glass cooking surface.

4. Push the Control Knob to start the Induction Range.

- The Power Control Screen appears showing a bar graph and a percentage of power setting.



NOTE: The pan icon on the display will flash without heat waves when a pan is not being heated or when no pan is on the glass cooking surface. The icon will remain solid with heat waves when a compatible pan is on the cooking surface and being heated.

5. Turn the Control Knob to adjust the Power setting to the desired percentage.

- Turn the Control Knob clockwise to increase the setting. Turn the Control Knob counterclockwise to decrease the setting.

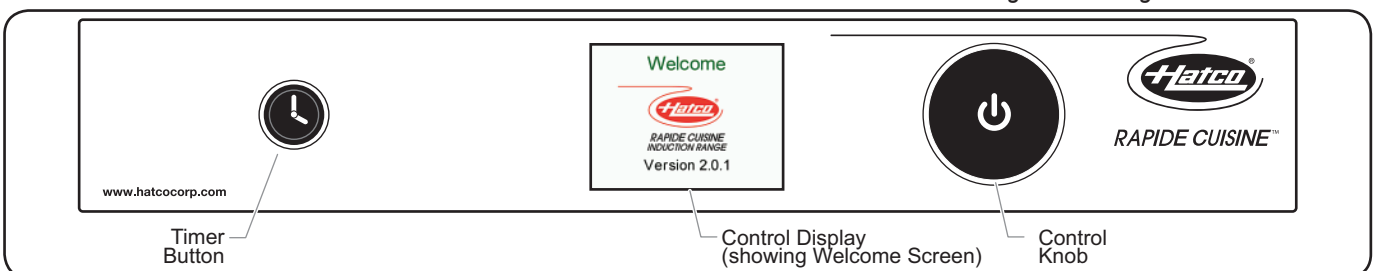
- Most cooking in Power Control will be done at a setting of 50% or less. Start with a lower setting because the unit gets hot quickly. Make adjustments as necessary.

NOTE: Heat generation will stop automatically whenever a pan is removed from the glass cooking surface. The unit will hold the current setting for three minutes. If the pan is placed back on the unit within the three minutes, the unit will resume cooking at the current setting. After three minutes, the Control Display will go blank and the unit will shut off.

Shutdown

1. Push the Control Knob to turn off the Induction Range, the Control Display will go blank.


NOTE: Heat generation will stop automatically whenever a pan is removed from the glass cooking surface.

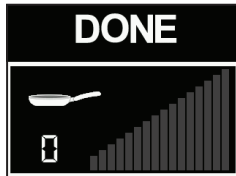
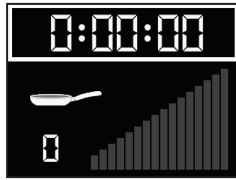


H Type Induction Range Control Panel

Using the Timer

A timer is available on the H Type Induction Range.

1. Touch the  Button on the control panel to access the Timer Screen.
 - The top of the screen shows the timer highlighted by a white outline, and the bottom of the screen shows the Power setting.
2. Set the timer by turning the Control Knob within three seconds.
 - After the timer is set, the white outline drops to outline the Power setting.
3. Adjust the Power by turning the Control Knob.
 - When the timer reaches zero, the timer flashes between "DONE" and "0:00:00". The Power setting drops to "0".

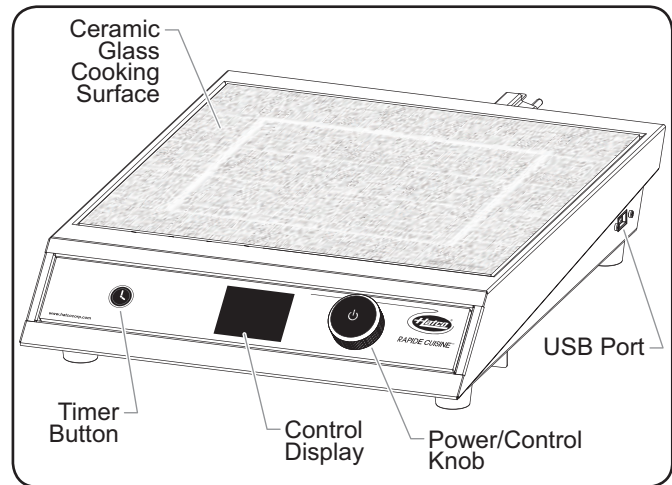
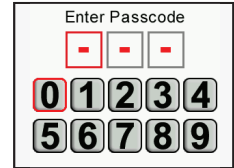


Updating Firmware

Use the following procedure to upload firmware updates to the Induction Range from an external USB drive.

NOTE: For the latest firmware updates, cooking tips, and more, go to the Hatco Induction Range website: www.hatcocorp.com/rapide_cuisine

1. Push the Control Knob to start the Induction Range.
 - The Power Control screen appears showing a bar graph and a percentage of power setting.
2. Push and hold the Control Knob for approximately 6–8 seconds.
 - A password screen will appear.
 - To enter the 3-digit password "248", turn the Control Knob to the first number, then press the Control Knob to select. The highlighted square will move to the next digit. Continue entering the password until complete.
 - The Firmware Update screen will appear.
3. Insert the USB drive into the USB port.
 - The USB port is either on the bottom or on the right side of the unit.



H Type Countertop Model

4. Turn the Control Knob to highlight UPDATE, then push the Control Knob to start the update.
 - A screen will appear to indicate the update is in progress.
 - When the update is complete, the Welcome screen will appear for a few seconds showing the new firmware version, and the unit will shut down.

NOTE: To exit the Firmware Update screen without performing an update, turn the Control Knob to highlight EXIT, then push the Control Knob to return to the Power Control screen.

General

Hatco Induction Ranges are designed for maximum durability and performance with minimum maintenance.

⚠ WARNING

ELECTRIC SHOCK HAZARD:

- Turn OFF power, unplug power cord, and allow unit to cool before performing any cleaning, adjustments, or maintenance.
- DO NOT submerge or saturate with water. Do not allow liquids to spill into unit. Unit is not waterproof. Do not operate if unit has been submerged or saturated with water.
- Do not steam clean or use excessive water on the unit.
- This unit is not “jet-proof” construction. Do not use jet-clean spray to clean this unit.
- Do not clean unit when it is energized or hot.
- Discontinue use if power cord is frayed or worn.
- Do not attempt to repair or replace a damaged power cord. Cord must be replaced by an Authorized Hatco Service Agent or a person with similar qualifications.
- This unit must be serviced by qualified personnel only. Service by unqualified personnel may lead to electric shock or burn.
- Use only Genuine Hatco Replacement Parts when service is required. Failure to use Genuine Hatco Replacement Parts will void all warranties and may subject operators of the equipment to hazardous electrical voltage, resulting in electrical shock or burn. Genuine Hatco Replacement Parts are specified to operate safely in the environments in which they are used. Some after-market or generic replacement parts do not have the characteristics that will allow them to operate safely in Hatco equipment.

This unit has no “user-serviceable” parts. If service is required on this unit, contact an Authorized Hatco Service Agent or contact the Hatco Service Department at 800-558-0607 or 414-671-6350.

⚠ CAUTION

Use only wipes, pads, and cleaners designed specifically for cleaning ceramic glass surfaces.

Wipe up all spills and splashes immediately. Make sure unit is dry before using. Do not allow liquid to run into air inlet filter on bottom of unit.

Daily Cleaning

To maintain performance and preserve the finish of the Induction Range, clean the unit daily. Make sure to use only wipes, pads, and cleaners designed specifically for cleaning ceramic glass surfaces.

1. Turn off and unplug the unit. Allow the unit to cool.
2. Remove and wash all food pans.
3. Clean the glass surface using an appropriate cleaning wipe, damp paper towel, or damp cloth.
 - For tough stains and metal marks, use a drop of ceramic glass cleaner and paper towel.
 - For water and scale marks, use a few drops of white vinegar and paper towel.

NOTICE

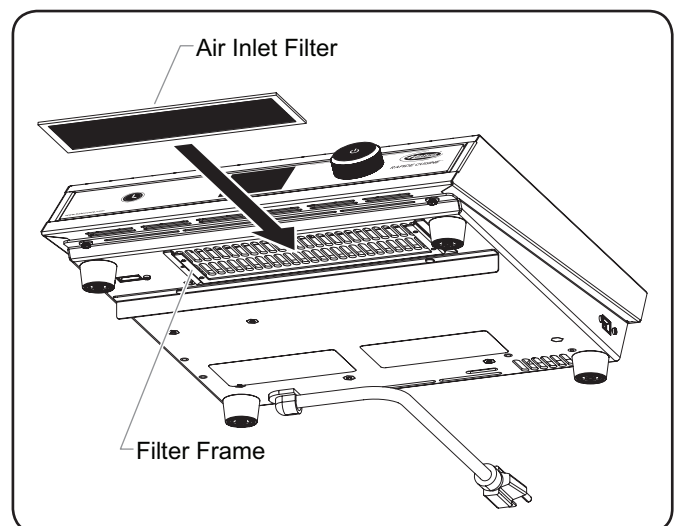
Use non-abrasive cleaners and cloths only. Abrasive cleaners and cloths could scratch finish of unit, marring its appearance and making it susceptible to soil accumulation.

4. Clean the metal surfaces using a clean, soft cloth and mild detergent.
5. Wipe dry all metal surfaces using a dry, clean, soft cloth.

Cleaning the Air Inlet Filter

The air inlet filter on the bottom of the unit should be removed and cleaned monthly or sooner during heavy use. Use the following procedure to clean the filter.

1. Turn off and unplug the unit. Allow the unit to cool.
2. Remove the air inlet filter by sliding the filter out of the filter frame underneath the front of the unit.
3. Clean the air inlet filter with mild soap and water.
4. Allow the air inlet filter to dry completely.
5. Slide the air inlet filter into the filter frame underneath the front of the unit.



Cleaning the Air Inlet Filter



This unit must be serviced by qualified personnel only. Service by unqualified personnel may lead to electric shock or burn.



ELECTRIC SHOCK HAZARD: Turn OFF power, unplug power cord, and allow unit to cool before performing any cleaning, adjustments, or maintenance.

Symptom	Probable Cause	Corrective Action
Unit does not turn on.	No power to unit.	Make sure power cord is plugged into an appropriate receptacle (see SPECIFICATIONS section). Check circuit breaker and reset as necessary. Check for damage to power cord. Check electrical receptacle.
	Electronic controls defective.	Contact Authorized Service Agent or Hatco for assistance.
Pan icon with the message "Non-Compatible" appears on the Control Display and the unit will not heat.	Pan being used is not induction-ready.	Use an induction-ready pan (see "Pan Specifications" in the OPERATION section of this manual).

Troubleshooting Questions?

If you continue to have problems resolving an issue, please contact the nearest Authorized Hatco Service Agency or Hatco for assistance. To locate the nearest Service Agency, log onto the Hatco website at www.hatcocorp.com and click on *Find Service Agent*, or contact the **Hatco Parts and Service Team** at:

Telephone: 800-558-0607 or 414-671-6350

e-mail: partsandservice@hatcocorp.com

1. PRODUCT WARRANTY

Hatco warrants the products that it manufactures (the "Products") to be free from defects in materials and workmanship, under normal use and service, for a period of one (1) year from the date of purchase when installed and maintained in accordance with Hatco's written instructions or 18 months from the date of shipment from Hatco. Buyer must establish the Product's purchase date by registering the Product with Hatco or by other means satisfactory to Hatco in its sole discretion.

Hatco warrants the following Product components to be free from defects in materials and workmanship from the date of purchase (subject to the foregoing conditions) for the period(s) of time and on the conditions listed below:

a) One (1) Year Parts and Labor PLUS One (1) Additional Year Parts-Only Warranty:

Conveyor Toaster Elements (metal sheathed)
 Drawer Warmer Elements (metal sheathed)
 Drawer Warmer Drawer Rollers and Slides
 Strip Heater Elements (metal sheathed)
 Display Warmer Elements (metal sheathed air heating)
 Holding Cabinet Elements (metal sheathed air heating)
 Heated Well Elements — HW and HWB Series
 (metal sheathed)

b) Two (2) Year Parts and Labor Warranty:

Induction Ranges

c) One (1) Year Parts and Labor PLUS Four (4) Years Parts-Only Warranty:

3CS and FR Tanks

d) One (1) Year Parts and Labor PLUS Nine (9) Years Parts-Only Warranty on:

Electric Booster Heater Tanks
 Gas Booster Heater Tanks

e) Ninety (90) Day Parts-Only Warranty:

Replacement Parts

THE FOREGOING WARRANTIES ARE EXCLUSIVE AND IN LIEU OF ANY OTHER WARRANTY, EXPRESSED OR IMPLIED, INCLUDING BUT NOT LIMITED TO ANY IMPLIED WARRANTY OF MERCHANTABILITY OR FITNESS FOR A PARTICULAR PURPOSE OR PATENT OR OTHER INTELLECTUAL PROPERTY RIGHT INFRINGEMENT. Without limiting the generality of the foregoing, SUCH WARRANTIES DO NOT COVER: Coated incandescent light bulbs, fluorescent lights, heat lamp bulbs, coated halogen light bulbs, halogen heat lamp bulbs, xenon light bulbs, LED light tubes, glass components, and fuses; Product failure in booster tank, fin tube heat exchanger, or other water heating equipment caused by liming, sediment buildup, chemical attack, or freezing; or Product misuse, tampering or misapplication, improper installation, or application of improper voltage.

2. LIMITATION OF REMEDIES AND DAMAGES

Hatco's liability and Buyer's exclusive remedy hereunder will be limited solely, at Hatco's option, to repair or replacement using new or refurbished parts or Product by Hatco or a Hatco-authorized service agency (other than where Buyer is located outside of the United States, Canada, United Kingdom, or Australia, in which case Hatco's liability and Buyer's exclusive remedy hereunder will be limited solely to replacement of part under warranty) with respect to any claim made within the applicable warranty period referred to above. Hatco reserves the right to accept or reject any such claim in whole or in part. In the context of this Limited Warranty, "refurbished" means a part or Product that has been returned to its original specifications by Hatco or a Hatco-authorized service agency. Hatco will not accept the return of any Product without prior written approval from Hatco, and all such approved returns shall be made at Buyer's sole expense. HATCO WILL NOT BE LIABLE, UNDER ANY CIRCUMSTANCES, FOR CONSEQUENTIAL OR INCIDENTAL DAMAGES, INCLUDING BUT NOT LIMITED TO LABOR COSTS OR LOST PROFITS RESULTING FROM THE USE OF OR INABILITY TO USE THE PRODUCTS OR FROM THE PRODUCTS BEING INCORPORATED IN OR BECOMING A COMPONENT OF ANY OTHER PRODUCT OR GOODS.

SERVICE INFORMATION**United States and Canada**

The warranty on Hatco Induction Ranges is for two (2) years from date of purchase or 30 months from date of shipping from Hatco, whichever occurs first.

Warranty Problems

If you experience a problem with an Induction Range during the warranty period, contact the **Hatco Parts and Service Team** at:

Telephone: 800-558-0607 or 414-671-6350

E-mail: partsandservice@hatcocorp.com

When contacting Hatco for warranty service, please supply the following information:

- Model of unit
- Serial number (located on the bottom of the unit)
- Specific problem with the unit
- Date of purchase
- Name of business
- Shipping address
- Contact name and phone number

Non-Warranty Problems

If you experience a non-warranty problem that requires assistance, please contact the nearest Authorized Hatco Service Agency.

To locate the nearest Service Agency, log onto our website at **www.hatcocorp.com**, select the *Support* pull-down menu, and click on "Find A Service Agent"; or contact the **Hatco Parts and Service Team** by phone/e-mail.

Informations importantes pour le propriétaire	12	Mode d'emploi	17
Introduction	12	Généralités	17
Consignes de sécurité importantes	13	Utilisation du minuteur	18
Description du modèle	14	Mise à jour du micrologiciel.....	18
Désignation du modèle	14	Maintenance	19
Caractéristiques techniques	15	Généralités	19
Configuration des fiches.....	15	Nettoyage quotidien.....	19
Tableau des valeurs nominales électriques	15	Nettoyage du filtre d'entrée d'air	19
Dimensions	15	Guide de dépannage	20
Installation	16	Informations de Service	20
Généralités	16	Garantie limitée	21
		Distributeurs de pièces autorisés	Couverture arrière

INFORMATIONS IMPORTANTES POUR LE PROPRIÉTAIRE

Noter le numéro de modèle, le numéro de série, le voltage et la date d'achat de votre appareil ci-dessous (plaque signalétique située sous l'appareil). Veuillez avoir cette information à portée de la main si vous appelez Hatco pour assistance.

Numéro de modèle _____

Numéro de série _____

Voltage _____

Date d'achat _____

Enregistrez votre appareil !

Remplissez la garantie en ligne pour éviter les retards pour faire jouer la garantie. Accédez au site Web Hatco www.hatcocorp.com, sélectionnez le menu déroulant Parts & Service, puis cliquez sur Warranty Registration.

Horaires

ouvrables: 7h00 à 17h00
Heure du Centre des États-Unis (CST)
(Horaires d'été : juin à septembre—
7h00 à 17h00 CST du lundi au jeudi
7h00 à 16h00 CST le vendredi)

Téléphone : 800-558-0607; 414-671-6350

Courriel : partsandservice@hatcocorp.com



Service d'assistance et de pièces de rechange disponible 7j/7, 24h/24 aux États-Unis et au Canada en composant le 800-558-0607.

Des renseignements supplémentaires sont disponibles sur notre site Web à www.hatcocorp.com.

L'appareil est conforme à l'article 18 des Réglementations de la FCC.

INTRODUCTION

Les cuisinières à induction d'Hatco permettent aux cuisines professionnelles ainsi qu'aux établissements où les repas sont préparés sous les yeux des clients (buffets, etc.), de cuire les aliments de manière sûre, rapide, efficace et appétissante. L'efficacité, la précision et la vitesse de cuisson des cuisinières à induction d'Hatco constituent le choix idéal pour les entreprises du secteur de la restauration proposant des services de qualité.

Les cuisinières à induction fonctionnent grâce à la création d'un champ magnétique entre les bobines d'induction situées sous la plaque en vitrocéramique de l'appareil et les récipients compatibles avec les cuisinières à induction posés sur la plaque. Ce champ magnétique génère des courants à induction à la base du récipient, qui chauffent ce dernier instantanément. La chaleur produite est ensuite transférée au contenu du récipient. Étant donné que le champ magnétique agit uniquement entre les bobines d'induction et les matériaux magnétiques (à base de fer), la plaque en vitrocéramique qui sépare ces éléments ne chauffe pas, ce qui évite toute déperdition de chaleur et permet d'améliorer l'efficacité du processus. Lorsque le champ magnétique est interrompu par la mise hors tension de l'appareil ou la suppression du récipient, la production de chaleur cesse instantanément.

Les cuisinières à induction d'Hatco sont le résultat de recherches approfondies et d'essais sur le terrain. Les matériaux utilisés ont été sélectionnés afin de garantir une durée de vie maximale, un design attractif et des performances optimales. Chaque unité est inspectée et testée minutieusement avant d'être expédiée.

Ce manuel contient des instructions relatives à l'installation, à la sécurité et à l'utilisation des cuisinières à induction d'Hatco. Hatco vous recommande de lire l'ensemble des instructions d'installation, de sécurité et d'utilisation fournies dans ce manuel avant d'installer et d'utiliser l'appareil.

Les consignes de sécurité qui apparaissent dans ce manuel sont identifiées par les mots indicateurs suivants :

⚠ AVERTISSEMENT

AVERTISSEMENT indique une situation dangereuse qui, si elle n'est pas évitée, peut provoquer la mort ou des blessures graves.

⚠ ATTENTION

ATTENTION indique une situation dangereuse qui, si elle n'est pas évitée, peut provoquer des blessures légères ou moyennes.

AVIS

AVIS est utilisé pour des questions sans rapport avec des blessures corporelles.



Lisez les consignes de sécurité importantes suivantes avant d'utiliser cet équipement pour éviter toute blessure grave ou la mort et pour éviter d'endommager l'équipement ou la propriété.

⚠ AVERTISSEMENT

DANGER DE DÉCHARGE ÉLECTRIQUE :

- Branchez l'appareil à une prise de courant mise à la terre et présentant la tension, la taille et la configuration adéquates. Si la fiche et la prise ne se correspondent pas, adressez-vous à un électricien qualifié pour déterminer et installer une prise de courant de taille et de tension correctes.
- Mettez hors tension l'appareil, débranchez le cordon d'alimentation et laissez l'appareil refroidir avant d'effectuer tout nettoyage, tout réglage ou tout entretien.
- N'immergez PAS l'appareil et ne le saturez pas d'eau. L'appareil n'est pas étanche à l'eau. Ne le faites pas fonctionner s'il a été immergé ou saturé d'eau.
- L'appareil n'est pas étanche. Placez l'appareil à l'intérieur d'un local dont la température ambiante se situe entre 21 °C (70 °F) et 51 °C (124 °F).
- Ne nettoyez pas l'appareil à la vapeur et n'utilisez pas trop d'eau sur celui-ci.
- Cet appareil n'est pas étanche aux jets. N'utilisez pas de jet sous pression pour nettoyer l'appareil.
- Ne nettoyez pas l'appareil tant qu'il est sous tension ou chaud.
- Ne tirez pas l'unité par le cordon d'alimentation.
- Interrompez l'utilisation de l'unité si le cordon d'alimentation est effiloché ou usé.
- N'essayez jamais de réparer ou de remplacer un cordon d'alimentation. Celui-ci devra être remplacé par Hatco, un agent de service agréé par Hatco ou une personne possédant des qualifications similaires.
- Cet appareil doit uniquement être réparé par un personnel qualifié. Toute réparation par un personnel non qualifié peut entraîner une électrocution et des brûlures.
- Pour les réparations, utilisez exclusivement des pièces de rechange Hatco d'origine. Utilisez des pièces détachées Hatco authentiques sous peine d'annuler toutes les garanties et d'exposer l'utilisateur à des tensions électriques dangereuses pouvant entraîner une électrocution ou des brûlures. Les pièces de rechange Hatco d'origine sont conçues pour fonctionner sans danger dans les environnements dans lesquels elles sont utilisées. Certaines pièces de rechange génériques ou de second marché ne présentent pas les caractéristiques leur permettant de fonctionner sans danger dans le matériel Hatco.

DANGER D'INCENDIE :

- Placez l'appareil à au moins 51 mm (2") des murs et matières inflammables. Si ces distances de sécurité ne sont pas respectées, une décoloration ou une combustion peuvent se produire.
- N'obstruez pas les grilles de ventilation situées sur la partie inférieure de l'appareil. Cela pourrait provoquer une combustion ou une défaillance de l'unité.
- Ne placez pas l'appareil à proximité ou en dessous de rideaux ou d'autres matériaux inflammables. Les éléments situés à proximité de l'appareil ou sur celui-ci peuvent prendre feu et provoquer des blessures et/ou l'endommager.

RISQUE D'EXPLOSION : Ne réchauffez pas de récipients alimentaires fermés. Les récipients scellés et chauffés peuvent éclater.

Cet appareil ne doit pas être utilisé par des enfants ou des personnes avec des capacités physiques, sensorielles ou mentales diminuées. Assurez-vous que les enfants sont bien surveillés et tenez-les à l'écart de l'appareil.

⚠ AVERTISSEMENT

DANGER D'INTERFÉRENCES ÉLECTROMAGNÉTIQUES: Cet appareil génère des champs électromagnétiques à faible portée. Il a été conçu pour respecter les normes en vigueur pour éviter de causer des interférences avec les autres dispositifs électroniques. Veuillez vous assurer que les autres dispositifs électroniques situés à proximité, dont les stimulateurs cardiaques et les autres implants actifs, ont été conçus pour respecter les normes applicables. En guise de précaution, n'utilisez pas l'appareil à une distance inférieure à 305 mm (12") d'un stimulateur cardiaque ou d'un implant actif.

Assurez-vous que tous les opérateurs ont été formés à l'utilisation sûre et correcte de l'appareil.

Cet appareil ne contient aucune pièce pouvant être entretenue par les utilisateurs. Si cet appareil a besoin de maintenance, contactez un agent d'entretien agréé par Hatco ou contactez le service entretien de Hatco au 800-558-0607 ou 414-671-6350.

⚠ ATTENTION

DANGER DE BRÛLURE :

- Ne laissez pas d'objets ou d'ustensiles métalliques sur la cuisinière à induction ou à proximité de celle-ci. Ils pourraient chauffer.
- Soyez prudent lorsque vous portez des bagues, montres, ou d'autres objets à base de fer à proximité de la cuisinière à induction. Ils pourraient chauffer.
- Certaines surfaces extérieures de l'appareil deviendront chaudes. Soyez prudent lorsque vous touchez ces surfaces.

N'obstruez pas l'air entrant ou sortant des grilles de ventilation situées sur la partie inférieure de l'appareil.

Ne posez rien sur l'appareil.

Placez l'appareil sur un plan de travail dont la hauteur est appropriée, à un emplacement pratique à utiliser. L'emplacement doit être horizontal pour éviter que l'appareil ou son contenu ne tombent accidentellement, et suffisamment solide pour supporter le poids de l'appareil et de son contenu.

AVIS

Branchez l'appareil à un circuit de dédié. Ne branchez pas plusieurs appareils sur un même circuit.

Ne placez jamais de papier aluminium sur la cuisinière à induction. Le papier aluminium risque de fondre et d'endommager l'appareil.

Ne placez pas d'objets ayant des propriétés magnétiques (cartes de crédit, cassettes, etc.) sur l'appareil ou à proximité de celui-ci lors de son utilisation.

N'installez pas l'appareil dans un endroit présentant des déplacements d'air excessifs. Évitez les zones pouvant être soumises à des déplacements d'air ou à des courants d'air actifs (proximité de ventilateurs d'extraction/de hottes d'aspiration, de conduites de climatisation et de portes extérieures).

Utilisez uniquement des chiffons, lingettes et produits nettoyants conçus spécifiquement pour nettoyer des surfaces en vitrocéramique.

Utilisez des chiffons et produits nettoyants non abrasifs uniquement. Les chiffons et produits nettoyants abrasifs pourraient rayer la finition de l'unité, altérant son apparence et la rendant vulnérable à l'accumulation de saleté.

Cet appareil est réservé à un usage professionnel uniquement — il ne convient PAS à un usage personnel.

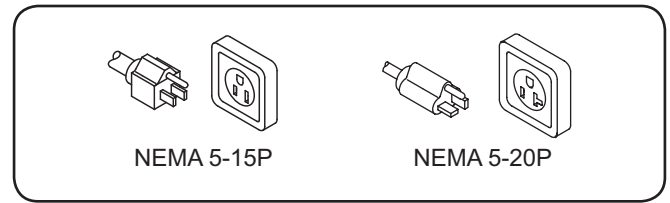
Configuration des fiches

Les appareils sont fournis par l'usine avec un cordon et une fiche déjà installés. Les fiches fournies correspondent à leur application.



DANGER DE DÉCHARGE ÉLECTRIQUE: Branchez l'appareil à une prise de courant mise à la terre et présentant la tension, la taille et la configuration adéquates. Si la fiche et la prise ne se correspondent pas, adressez-vous à un électricien qualifié pour déterminer et installer une prise de courant de taille et de tension correctes.

NOTA: La plaque signalétique est située sur la partie inférieure de l'appareil. Consultez la plaque signalétique pour connaître le numéro de série et vérifier les caractéristiques électriques de l'appareil.



Configuration des fiches

NOTA: La prise murale n'est pas fournie par Hatco. L'appareil doit être connecté à un circuit dédié.

Tableau des valeurs nominales électriques

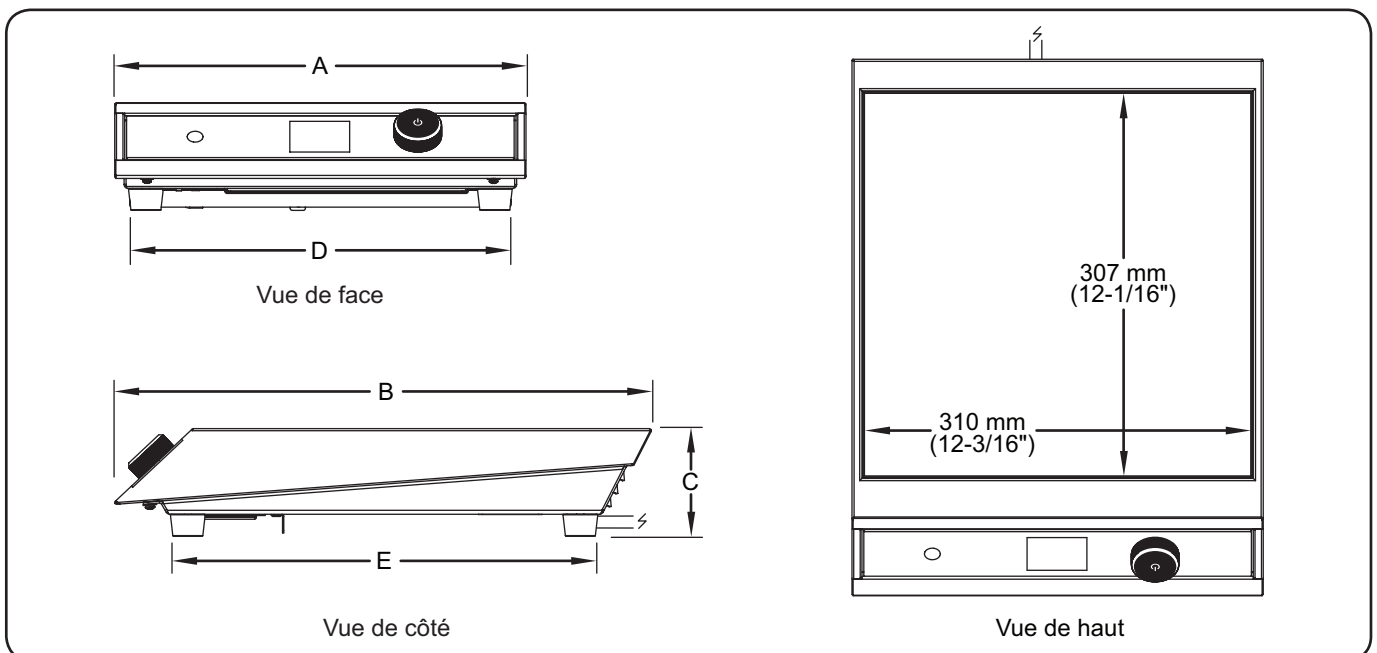
Modèle	Tension	Watts	Ampères	Configuration de Fiches	Poids d'embarquement
IRNG-HC1-14	120	1440	12	NEMA 5-15P	8 kg (17 lbs.)
IRNG-HC1-18	120	1800	15	NEMA 5-15P*	8 kg (17 lbs.)

* NEMA 5-20P pour le Canada.

NOTA: Le poids d'embarquement comprend l'emballage.

Dimensions

Modèle	Largeur (A)	Profondeur (B)	Hauteur (C)	Largeur d'encombrement (D)	Profondeur d'encombrement (E)
IRNG-HC1-14	330 mm (13")	431 mm (17")	86 mm (3-7/16")	304 mm (12")	339 mm (13-3/8")
IRNG-HC1-18	330 mm (13")	431 mm (17")	86 mm (3-7/16")	304 mm (12")	339 mm (13-3/8")



Général

Les plaques à induction sont expédiées intégralement montées et prêtes à l'emploi. Veillez à ne pas endommager l'appareil ou ses composants lors du déballage du carton d'expédition.

AVERTISSEMENT

RISQUE DE DÉCHARGE ÉLECTRIQUE : L'appareil n'est pas étanche. Placez l'appareil à l'intérieur d'un local dont la température ambiante se situe entre 21 °C (70 °F) et 51 °C (124 °F).

RISQUE D'INCENDIE :

- Placez l'appareil à 51 mm (2 po) minimum des matières ou des murs inflammables. Si ces distances de sécurité ne sont pas respectées, une décoloration ou une combustion peut se produire.
- N'obstruez pas les grilles de ventilation situées sur les côtés et en dessous de l'appareil. Cela pourrait provoquer une combustion ou une défaillance de l'unité.
- Ne placez pas l'appareil à proximité ou en dessous de rideaux ou d'autres matériaux inflammables. Les objets situés à proximité de l'appareil ou sur celui-ci peuvent prendre feu et l'endommager et/ou provoquer des blessures.

ATTENTION

N'obstruez pas l'air entrant ou sortant des grilles de ventilation situées sur les côtés et en dessous de l'appareil.

Placez l'appareil sur un plan de travail dont la hauteur est appropriée, à un emplacement pratique à utiliser. L'emplacement doit être horizontal pour éviter que l'appareil ou son contenu ne tombent accidentellement, et suffisamment solide pour supporter le poids de l'appareil et de son contenu.

AVIS

N'installez pas l'appareil dans un endroit présentant des déplacements d'air excessifs. Évitez les zones pouvant être soumises à des déplacements d'air ou à des courants d'air actifs (proximité de ventilateurs d'extraction/de hottes d'aspiration, de conduites de climatisation et de portes extérieures).

1. Retirez l'appareil du carton.
2. Retirez l'adhésif et l'emballage de protection sur toutes les surfaces de l'appareil.

NOTA : Pour éviter des retards dans l'obtention de la couverture de la garantie, complétez l'enregistrement en ligne de votre garantie. Voir INFORMATIONS IMPORTANTES POUR LE PROPRIÉTAIRE pour obtenir plus de détails.

3. Placez l'unité à l'emplacement souhaité. Veillez à ce que l'emplacement soit :
 - de niveau et à la bonne hauteur.
 - assez solide pour supporter l'appareil et les récipients.
 - placé à 51 mm (2 po) minimum des matériaux combustibles.
 - assez large pour que les quatre pieds de l'appareil soient correctement placés sur le plan de travail.

Général

Les plaques à induction de type H doivent être utilisées conformément aux informations et procédures suivantes.
AVIS : Ne déplacez pas les appareils à poser lors de leur fonctionnement.

⚠ AVERTISSEMENT

Lisez tous les messages de sécurité de la section **CONSIGNES DE SÉCURITÉ IMPORTANTES** avant d'utiliser ce matériel.

⚠ ATTENTION

RISQUE DE BRÛLURES :

- Ne laissez pas d'objets ou d'ustensiles métalliques sur la plaque à induction ou à proximité de celle-ci. Ils pourraient chauffer.
- Faites attention lorsque vous portez des bagues, montres, ou d'autres objets à base de fer à proximité de la plaque à induction. Ils pourraient chauffer.
- Certaines surfaces extérieures de l'appareil seront chaudes. Soyez prudent lorsque vous touchez ces surfaces.

Spécifications des récipients

Les récipients compatibles avec les plaques à induction doivent répondre aux critères suivants :

- Fabriqués à partir de matériaux à propriétés magnétiques (à base de fer)
 - Récipients en acier émaillé
 - Récipients en fonte
 - Récipients en acier inoxydable
 - Récipients en aluminium avec une base en fer
- Avoir une taille appropriée (les mesures font référence au diamètre de la base du récipient)
 - Minimum = 102 mm (4 po), Maximum = 330 mm (13 po)
- Avoir un fond plat

Les récipients suivants **ne peuvent pas** être utilisés avec une plaque à induction :

- Récipients en verre
- Récipients en aluminium sans fond en fer
- Récipients en faïence
- Récipients en céramique
- Récipients en cuivre

NOTA : La plaque à induction détecte automatiquement les récipients compatibles. Si un récipient incompatible est posé sur l'appareil en marche, une icône en forme de poêle avec le message « incompatible » s'affiche sur l'écran de commande et l'appareil ne fonctionnera pas.



Mise en service

1. Chaque jour, avant d'allumer l'appareil, nettoyez la plaque de cuisson en vitrocéramique à l'aide d'une lingette nettoyante, d'un papier absorbant humide, ou d'un chiffon humide. **ATTENTION ! essuyez les déversements et éclaboussures immédiatement. Assurez-vous que l'appareil est sec avant de l'utiliser. Ne laissez pas de liquide pénétrer dans le filtre à air situé sur la partie inférieure de l'appareil.**

NOTA : L'appareil peut être éteint à tout moment en appuyant sur le bouton de commande.

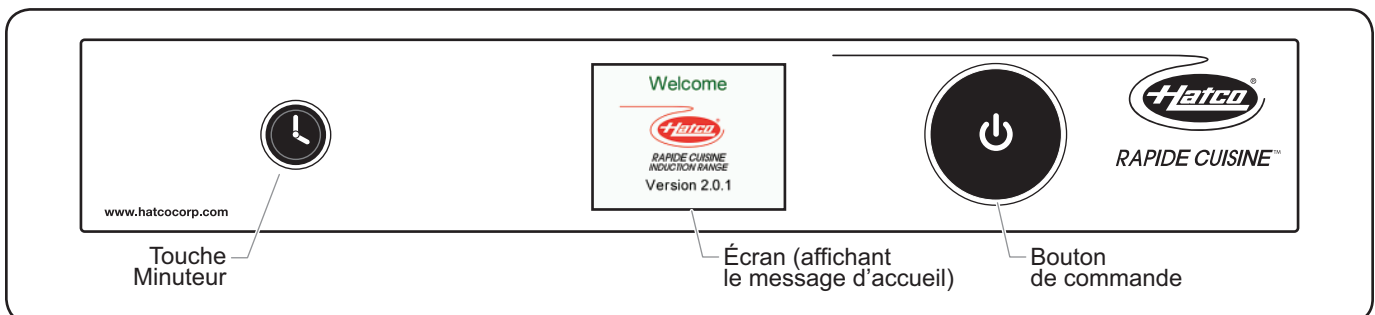
NOTA : Le ventilateur de l'appareil se met en route uniquement lorsque l'appareil est chaud. Dès que le ventilateur se met en route, il fonctionne jusqu'à ce que l'appareil ait refroidi.

2. Branchez l'appareil à une prise de courant reliée à la terre de voltage, de taille et de configuration de fiche corrects. Consultez les **CARACTÉRISTIQUES TECHNIQUES** pour plus d'informations.
 - L'écran de commande affiche l'écran d'accueil pendant quelques secondes, puis cet écran disparaît.
3. Placez un récipient compatible avec l'induction sur la plaque. La plaque à induction ne fonctionne pas si un récipient n'a pas été placé au centre de la zone de cuisson dessinée sur la plaque en vitrocéramique.
4. Appuyez sur le bouton de commande pour démarrer la plaque à induction.
 - L'écran de réglage de la puissance affiche un graphique en barres et un pourcentage indiquant la puissance.



NOTA : L'icône en forme de poêle sans ondes de chaleur clignote lorsque la plaque ne chauffe pas le récipient utilisé ou s'il n'y a pas de récipient sur la plaque. L'icône en forme de poêle avec des ondes de chaleur au-dessus s'allume en continu lorsqu'un récipient compatible est placé sur la plaque en vitrocéramique et qu'il est chauffé.

continué...



Panneau de commande de la plaque à induction de type H

5. Tournez le bouton de commande pour régler la puissance selon le pourcentage souhaité.
 - Tournez le bouton de commande dans le sens des aiguilles d'une montre pour augmenter la puissance. Tournez le bouton de commande dans le sens inverse des aiguilles d'une montre pour diminuer la puissance.
 - Le réglage le plus fréquent pour la cuisson en mode puissance est de 50 % maximum. Étant donné que l'appareil chauffe rapidement, démarrez avec un réglage plus faible. Effectuez des ajustements le cas échéant.

NOTA : L'appareil s'arrête automatiquement lorsque le récipient est retiré de la plaque en vitrocéramique. L'appareil conserve le réglage pendant trois minutes. Si le récipient est placé sur la plaque dans un délai inférieur à trois minutes, l'appareil continue la cuisson selon le réglage prédéfini. Au bout de trois minutes, l'écran s'éteint et l'appareil se met hors tension.


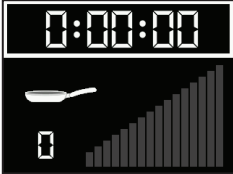

Arrêt

1. Appuyez sur le bouton de commande pour éteindre la plaque à induction ainsi que l'écran.

NOTA : L'appareil s'arrête automatiquement lorsque le récipient est retiré de la plaque en vitrocéramique.

Utilisation du minuteur

Les plaques à induction de type H sont dotés d'un minuteur.

1. Touchez le  bouton du panneau de commande pour accéder à l'écran du minuteur.
 
 - Le haut de l'écran affiche le minuteur entouré d'un rectangle blanc et le bas de l'écran affiche le réglage de la puissance.
2. Réglez le minuteur en tournant le bouton de commande dans les trois secondes qui suivent.
 - Une fois le minuteur réglé, le rectangle blanc entoure le réglage de la puissance.
3. Réglez la puissance en tournant le bouton de commande.
 - Lorsque le minuteur atteint zéro, il clignote en affichant « DONE » [Terminé] puis « 0:00:00 ». Le réglage de la puissance se met sur « 0 ».

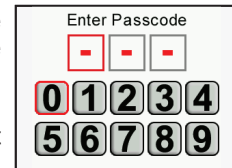
Mise à jour du micrologiciel

Respectez la procédure suivante pour télécharger les mises à jour du micrologiciel de la plaque à induction à partir d'une clé USB externe.

NOTA : Pour obtenir les dernières mises à jour du micrologiciel, des conseils de cuisine et bien d'autres informations, rendez-vous sur le site Internet des plaques à induction Hatco : www.hatcocorp.com/rapide_cuisine

1. Appuyez sur le bouton de commande pour démarrer la plaque à induction.
 - L'écran de réglage de la puissance affiche un graphique en barres et un pourcentage indiquant la puissance.

2. Appuyez sur le bouton de commande et maintenez-le enfoncé pendant environ 6 à 8 secondes.



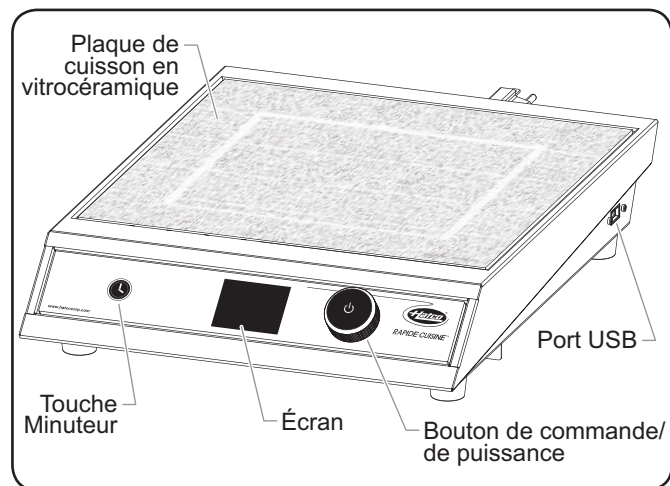
- Vous êtes invité à saisir un mot de passe.

- Pour saisir le mot de passe à trois chiffres « 248 », tournez le bouton de commande jusqu'au premier chiffre, puis appuyez sur le bouton pour le sélectionner. Le carré en surbrillance se déplacera sur le prochain chiffre. Terminez de saisir le mot de passe.

3. Insérez la clé USB dans le port USB.



- Le port USB est situé soit dessous l'appareil ou sur le côté droit.



Modèle à poser de Type H

4. Tournez le bouton de commande pour mettre UPDATE [Mise à jour] en surbrillance, puis appuyez sur le bouton pour démarrer la mise à jour.

- Un écran apparaît indiquant que la mise à jour est en cours.
- Lorsque la mise à jour est terminée, l'écran d'accueil (Welcome) s'affiche durant quelques secondes pour montrer la nouvelle version du micrologiciel, puis l'appareil s'éteint.

NOTA : Pour quitter l'écran de mise à jour du micrologiciel sans effectuer la mise à jour, tournez le bouton de commande pour mettre EXIT (Quitter) en surbrillance. Puis, appuyez sur le bouton de commande pour revenir à l'écran de réglage de la puissance.

Général

Les plaques à induction d'Hatco ont été conçues pour offrir une durabilité et des performances maximales avec un minimum d'entretien.

⚠ AVERTISSEMENT

RISQUE DE DÉCHARGE ÉLECTRIQUE :

- Éteignez l'appareil, débranchez son cordon d'alimentation et laissez-le refroidir avant d'effectuer tout nettoyage, réglage ou entretien.
- **NE PAS immerger dans l'eau ou mouiller abondamment. Ne renversez pas de liquides dans l'appareil. L'élément n'est pas étanche. Ne pas allumer l'appareil s'il a été immergé ou mouillé abondamment.**
- Ne nettoyez pas l'appareil à la vapeur et n'utilisez pas de l'eau en quantité excessive.
- L'appareil n'est pas résistant aux projections. Ne pulvérisez pas de jets nettoyants pour nettoyer l'appareil.
- Ne pas nettoyer l'appareil tant qu'il est branché ou chaud.
- Interrompez l'utilisation de l'unité si le cordon d'alimentation est effiloché ou usé.
- N'essayez jamais de réparer ou de remplacer un cordon d'alimentation. Celui-ci devra être remplacé par un agent de service agréé par Hatco ou une personne possédant des qualifications similaires.
- Cette unité doit être entretenue uniquement par des personnes qualifiées. Un entretien réalisé par des personnes non-qualifiées peut entraîner des décharges électriques ou provoquer des brûlures.
- Utilisez exclusivement des pièces de rechange d'origine de Hatco lorsque cela est nécessaire. L'utilisation de toute autre pièce entraînera l'annulation de toutes les garanties et pourrait exposer les utilisateurs à des tensions électriques dangereuses pouvant mener à des électrocutions ou à des brûlures. Les pièces authentiques Hatco sont conçues pour fonctionner de manière sûre et adaptée dans l'environnement dans lequel elles sont utilisées. Certaines pièces de rechange génériques ne sont pas aptes à fonctionner en toute sécurité dans des appareils Hatco.

Cet appareil ne contient aucune pièce pouvant être entretenue par les utilisateurs. Si cet appareil a besoin de maintenance, contactez un agent d'entretien agréé par Hatco ou contactez le service entretien de Hatco au 800-558-0607 ou 414-671-6350.

⚠ ATTENTION

Utilisez uniquement des chiffons, lingettes et produits nettoyants conçus spécifiquement pour nettoyer des surfaces en vitrocéramique.

essuyez les déversements et éclaboussures immédiatement. Assurez-vous que l'appareil est sec avant de l'utiliser. Ne laissez pas de liquide pénétrer dans le filtre à air situé sur la partie inférieure de l'appareil.

Nettoyage quotidien

Pour maintenir la performance et préserver le revêtement de la plaque à induction, nettoyez cette dernière quotidiennement. Utilisez uniquement des chiffons, lingettes et produits nettoyants conçus spécifiquement pour nettoyer des surfaces en vitrocéramique.

1. Arrêtez l'appareil et débranchez-le. Laissez l'appareil refroidir.
2. Retirer et nettoyer tous les récipients alimentaires.
3. Nettoyez la surface en vitrocéramique avec une lingette nettoyante, un papier absorbant humide ou un chiffon humide.
 - Enlevez les taches tenaces et les marques de métal avec une goutte de produit pour plaques en vitrocéramique et un papier absorbant.
 - Retirez les traces d'eau et de calcaire avec quelques gouttes de vinaigre blanc et un papier absorbant.

AVIS

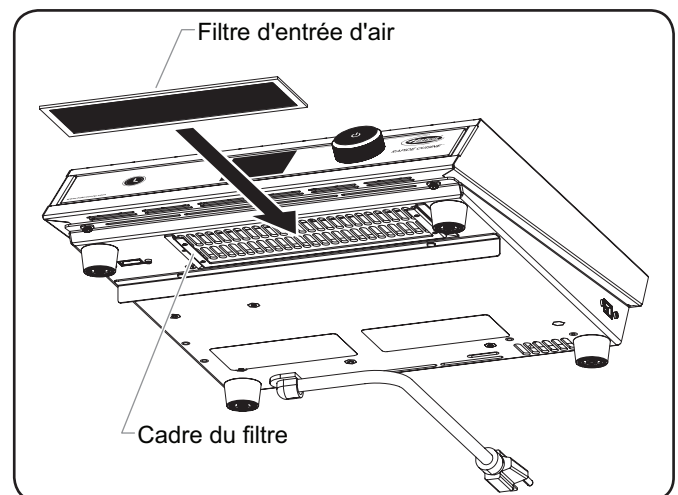
Utilisez uniquement des nettoyants non abrasifs et des chiffons doux. Les chiffons et nettoyants abrasifs risquent de rayer la finition de l'appareil, d'altérer son apparence et de le rendre vulnérable à l'accumulation de saleté.

4. Nettoyez les surfaces métalliques à l'aide d'un chiffon propre et doux et d'un détergent doux.
5. Essuyez et séchez toutes les surfaces métalliques à l'aide d'un chiffon doux, propre et sec.

Nettoyage du filtre d'entrée d'air

Le filtre d'entrée d'air situé sous l'appareil doit être retiré et nettoyé tous les mois ou plus souvent en cas d'utilisation intensive. Procédez de la manière suivante pour nettoyer le filtre.

1. Arrêtez l'appareil et débranchez-le. Laissez l'appareil refroidir.
2. Retirez le filtre d'entrée d'air en le faisant coulisser hors de son cadre sous le devant de l'appareil.
3. Nettoyez-le avec de l'eau et un détergent doux.
4. Laissez sécher complètement le filtre d'entrée d'air.
5. Faites coulisser le filtre d'entrée d'air dans son cadre sous le devant de l'appareil.



Nettoyage du filtre d'entrée d'air

⚠ AVERTISSEMENT

La réparation de cet appareil doit être confiée exclusivement à du personnel qualifié. Les réparations par des personnes non qualifiées peuvent provoquer des décharges électriques et des brûlures.

⚠ AVERTISSEMENT

DANGER DE DÉCHARGE ÉLECTRIQUE: Mettez hors tension l'appareil, débranchez le cordon d'alimentation et laissez l'appareil refroidir avant d'effectuer tout nettoyage, tout réglage ou tout entretien.

Symptômes	Cause probable	Action correctrice
L'appareil ne s'allume pas.	Pas d'alimentation au niveau de l'appareil.	Veillez à ce que le cordon d'alimentation soit branché à une prise électrique appropriée (voir chapitre SPÉCIFICATIONS TECHNIQUES). Vérifiez le disjoncteur et redémarrez si nécessaire. Examinez le cordon d'alimentation pour vous assurer qu'il n'est pas endommagé. Vérifiez la prise murale.
	Les commandes électroniques sont défectueuses.	Contactez un réparateur agréé ou Hatco pour obtenir de l'aide.
L'icône de la poêle avec le message « non compatible » s'affiche à l'écran et l'appareil ne chauffe pas.	Le récipient utilisé n'est pas compatible avec une cuisinière à induction.	Utilisez un récipient compatible avec les cuisinières à induction (voir les « Spécifications des récipients » du MODE D'EMPLOI du manuel).

Vous avez des questions en ce qui concerne les pannes?

Si le problème persiste, veuillez contacter l'agence d'entretien agréée Hatco la plus proche ou Hatco pour obtenir une assistance. Pour trouver l'agence d'entretien la plus proche, rendez-vous sur le site Internet de Hatco (www.hatcocorp.com) et cliquez sur *Find Service Agent* (Trouver un agent d'entretien), ou contactez **l'équipe d'entretien et de pièces détachées de Hatco** :

Téléphone : 800-558-0607 or 414-671-6350

E-mail : partsandservice@hatcocorp.com

INFORMATIONS DE SERVICE

États-Unis et Canada

La garantie couvrant les cuisinières à induction Hatco est valable deux (2) ans à compter de la date d'achat ou trente mois à compter de la date d'expédition par Hatco, selon l'événement intervenant en premier lieu.

Problèmes relevant de la garantie

Si, au cours de la période de garantie, vous deviez constater un problème sur votre cuisinière à induction, veuillez prendre contact avec **l'équipe chargée de l'entretien et des pièces de Hatco** aux coordonnées suivantes :

Téléphone: 800-558-0607 ou 414-671-6350

Courriel : partsandservice@hatcocorp.com

Lorsque vous contactez Hatco dans le cadre de la garantie, merci de fournir les informations suivantes :

- Modèle de l'appareil
- Numéro de série (situé sous l'appareil)
- Problème spécifique rencontré avec l'appareil
- Date d'acquisition
- Nom de l'entreprise
- Adresse postale
- Nom et coordonnées téléphoniques de la personne référente

Problèmes ne relevant pas de la garantie

Si vous rencontrez un problème ne relevant pas de la garantie et pour lequel vous avez besoin d'aide, veuillez contacter l'agence d'entretien agréée Hatco la plus proche.

Pour trouver l'agence d'entretien la plus proche, connectez-vous à notre site Internet www.hatcocorp.com, sélectionnez le menu déroulant Support (Assistance), puis cliquez sur « Find A Service Agent » (trouver un agent d'entretien). Vous pouvez également joindre **l'équipe chargée de l'entretien et des pièces de Hatco** par téléphone ou courriel.

1. GARANTIE DU PRODUIT

Hatco garantit que les produits qu'il fabrique (les « Produits ») sont exempts de défauts de matériel et de fabrication, dans des conditions normales d'utilisation et de maintenance, pour une période d'un (1) an à partir de la date d'achat à condition que l'appareil soit installé et entretenu conformément aux instructions écrites de Hatco ou 18 mois après la date de l'expédition par Hatco. L'acheteur doit prouver la date d'achat du Produit par l'enregistrement de ce dernier auprès de Hatco ou par d'autres moyens satisfaisants pour Hatco, à sa seule discrétion.

Hatco garantit que les composants du Produit suivants sont exempts de défauts de matériel et de fabrication à partir de la date d'achat (sous réserve des conditions précédentes) pour la ou les périodes de temps et en fonction des conditions listées ci-dessous :

- a) **Garantie d'un (1) an pour les pièces et la main-d'œuvre PLUS un (1) an supplémentaire pour les pièces uniquement :**
 Éléments du grille-pain à convoyeur (enveloppe métallique)
 Éléments des tiroirs chauffants (enveloppe métallique)
 Tiroirs, roues et glissières des tiroirs chauffants
 Éléments des rampes chauffantes (enveloppe métallique)
 Éléments des vitrines chauffantes
 (enveloppe métallique, air chauffant)
 Éléments des armoires de stockage
 (enveloppe métallique, air chauffant)
 Éléments des compartiments chauffants —
 série HW et HWB (enveloppe métallique)
- b) **Garantie de deux (2) ans pour les pièces et la main-d'œuvre :**
 Gammes à induction
- c) **Garantie d'un (1) an pour les pièces et la main-d'œuvre PLUS quatre (4) ans pour les pièces uniquement :**
 Cuves 3CS et FR
- d) **Garantie d'un (1) an pour les pièces et la main-d'œuvre PLUS neuf (9) ans pour les pièces uniquement :**
 Cuves des appareils de chauffage d'appoint électriques
 Cuves des appareils de chauffage d'appoint à gaz
- e) **Garantie de quatre-vingt-dix (90) jours pour les pièces uniquement :**
 Pièces de rechange

LES GARANTIES PRÉCÉDENTES SONT EXCLUSIVES ET REMPLACENT TOUTES AUTRES GARANTIES, EXPRESSES OU IMPLICITES, COMPRENANT, MAIS NE SE LIMITANT PAS, À TOUTES GARANTIES IMPLICITES DE QUALITÉ MARCHANDE OU DE FINALITÉ PARTICULIÈRE OU TOUTS BREVETS OU TOUTES AUTRES ATTEINTES AUX DROITS DE LA PROPRIÉTÉ INTELLECTUELLE. Sans restreindre la portée générale des énoncés précédents, CES GARANTIES NE COUVRENT PAS LES ÉLÉMENTS SUIVANTS : ampoules d'éclairage à incandescence enduites, lumières fluorescentes, ampoules de lampes chauffantes, ampoules d'éclairage à halogène enduites, ampoules de lampes chauffantes au xénon, tubes d'éclairage DEL, composants en verre et fusibles ; défaut de produit dans la cuve d'un appareil de chauffage d'appoint, dans un échangeur de chaleur à tubes à ailettes ou tout autre équipement de chauffage d'eau causé par la calcification, l'accumulation de sédiments, la réaction d'un produit chimique ou le gel ; ou une mauvaise utilisation, une manipulation ou une mauvaise application, une installation inappropriée du Produit ou l'utilisation d'une tension inappropriée.

2. LIMITES DES RECOURS ET DES DOMMAGES

La responsabilité de Hatco et la seule voie de recours de l'Acheteur prévues par les présentes seront limitées exclusivement, au gré de Hatco, à la réparation ou au remplacement à l'aide de pièces ou de Produits nouveaux ou remis à neuf par Hatco ou un centre de réparation agréé par Hatco (sauf si l'Acheteur se situe hors des États-Unis, du Canada, du Royaume-Uni ou de l'Australie, auquel cas la responsabilité de Hatco et la seule voie de recours de l'Acheteur seront limitées exclusivement au remplacement des pièces concernées par la garantie) à l'égard de toute revendication effectuée dans les délais de garantie applicables mentionnés ci-dessus. Hatco se réserve le droit d'accepter ou de rejeter toute réclamation en partie ou dans son intégralité. Dans le cadre de cette Garantie limitée, « remis à neuf » signifie une pièce ou un Produit dont les caractéristiques techniques d'origine ont été restaurées par Hatco ou un centre de réparation agréé par Hatco. Hatco n'acceptera aucun retour de Produits sans qu'il n'ait auparavant donné son accord écrit, et tous ces retours approuvés doivent être effectués aux seuls frais de l'Acheteur. HATCO NE SERA PAS TENU RESPONSABLE, DANS AUCUNE CIRCONSTANCE, DES DOMMAGES CONSÉCUTIFS OU INDIRECTS, COMPRENANT, MAIS NE SE LIMITANT PAS, AUX COÛTS DE MAIN-D'ŒUVRE OU PERTES DE PROFITS DUS À UNE UTILISATION OU À UNE IMPOSSIBILITÉ D'UTILISER LES PRODUITS OU DUS AU FAIT QUE LES PRODUITS ONT ÉTÉ INTÉGRÉS DANS OU QU'ILS SONT DEVENUS UN COMPOSANT DE TOUT AUTRE PRODUIT OU BIEN.

AUTHORIZED PARTS DISTRIBUTORS • DISTRIBUTEURS DE PIÈCES AUTORISÉS

ALABAMA

Jones McLeod Appl. Svc.
Birmingham 205-251-0159

ARIZONA

Service Solutions Group
Phoenix 602-234-2443

Byassee Equipment Co.
Phoenix 602-252-0402

CALIFORNIA

Industrial Electric
Commercial Parts & Service, Inc.
Huntington Beach 714-379-7100

Chapman Appl. Service
San Diego 619-298-7106

P & D Appliance
Commercial Parts & Service, Inc.
S. San Francisco 650-635-1900

COLORADO

Hawkins Commercial Appliance
Englewood 303-781-5548

FLORIDA

Whaley Foodservice Repair
Jacksonville 904-725-7800

Whaley Foodservice Repair
Orlando 407-757-0851

B.G.S.I.
Pompano Beach 954-971-0456

Comm. Appliance Service
Tampa 813-663-0313

GEORGIA

TWC Services
Mableton 770-438-9797

Heritage Service Group
Norcross 866-388-9837

Southeastern Rest. Svc.
Norcross 770-446-6177

HAWAII

Burney's Comm. Service, Inc.
Honolulu 808-848-1466

Food Equip Parts & Service
Honolulu 808-847-4871

ILLINOIS

Parts Town
Lombard 708-865-7278

Eichenauer Elec. Service
Decatur 217-429-4229

Midwest Elec. Appl. Service
Elmhurst 630-279-8000

Cone's Repair Service
Moline 309-797-5323

INDIANA

GCS Service
Indianapolis 800-727-8710

IOWA

Goodwin Tucker Group
Des Moines 515-262-9308

KENTUCKY

Service Solutions Group
Lexington 859-254-8854

Service Solutions Group
Louisville 502-451-5411

LOUISIANA

Chandlers Parts & Service
Baton Rouge 225-272-6620

MARYLAND

Electric Motor Service
Baltimore 410-467-8080

GCS Service
Silver Spring 301-585-7550

MASSACHUSETTS

Ace Service Co., Inc.
Needham 781-449-4220

MICHIGAN

Bildons Appliance Service
Detroit 248-478-3320

Commercial Kitchen Service
Bay City 989-893-4561

Midwest Food Equip. Service
Grandville 616-261-2000

MINNESOTA

GCS Service
Minnetonka 800-822-2303
x20365

MISSOURI

General Parts
Kansas City 816-421-5400

Commercial Kitchen Services
St. Louis 314-890-0700

Kaemmerlen Parts & Service
St. Louis 314-535-2222

NEBRASKA

Anderson Electric
Omaha 402-341-1414

NEVADA

Burney's Commercial
Las Vegas 702-736-0006

Hi. Tech Commercial Service
N. Las Vegas 702-649-4616

NEW JERSEY

Jay Hill Repair
Fairfield 973-575-9145

Service Plus
Flanders 973-691-6300

NEW YORK

Acme American Repairs, Inc.
Jamaica 718-456-6544

Alpro Service Co.
Maspeth 718-386-2515

Appliance Installation
Buffalo 716-884-7425

Duffy's Equipment Services, Inc.
Buffalo 800-836-1014

3Wire Northern
Plattsburgh 800-634-5005

Duffy's Equipment Services, Inc.
Sauquoit 800-836-1014

J.B. Brady, Inc.
Syracuse 315-422-9271

NORTH CAROLINA

Authorized Appliance
Charlotte 704-377-4501

OHIO

Akron/Canton Comm. Svc. Inc.
Akron 330-753-6634

Service Solutions Group
Cincinnati 513-772-6600

Commercial Parts and Service
Columbus 614-221-0057

Electrical Appl. Repair Service
Brooklyn Heights 216-459-8700

E. A. Wichman Co.
Toledo 419-385-9121

OKLAHOMA

Hagar Rest. Service, Inc.
Oklahoma City 405-235-2184

Krueger, Inc.
Oklahoma City 405-528-8883

OREGON

Ron's Service, Inc.
Portland 503-624-0890

PENNSYLVANIA

Elmer Schultz Services
Philadelphia 215-627-5401

FAST Comm. Appl. Service
Philadelphia 215-288-4800

Appliance Installation & Service
Pittsburgh 412-809-0244

K & D Service Co.
Harrisburg 717-236-9039

Electric Repair Co.
Reading 610-376-5444

RHODE ISLAND

Marshall Electric Co.
Providence 401-331-1163

SOUTH CAROLINA

Whaley Foodservice Repair
Lexington 803-996-9900

TENNESSEE

Camp Electric
Memphis 901-527-7543

TEXAS

GCS Service
Fort Worth 800-433-1804

Armstrong Repair Service
Houston 713-666-7100

Cooking Equipment Specialist
Mesquite 972-686-6666

Commercial Kitchen Repair Co.
San Antonio 210-735-2811

UTAH

La Monica's Rest. Equip. Service
Murray 801-263-3221

VIRGINIA

Daubers
Norfolk 757-855-4097

Daubers
Springfield 703-866-3600

WASHINGTON

3Wire Restaurant Appliance
Seattle 800-207-3146

WISCONSIN

A.S.C., Inc.
Madison 608-246-3160

A.S.C., Inc.
Milwaukee 414-543-6460

CANADA

ALBERTA

Key Food Equipment Service
Edmonton 780-438-1690

BRITISH COLUMBIA

Key Food Equipment Service
Vancouver 604-433-4484

Key Food Equipment Service
Victoria 250-920-4888

MANITOBA

Air Rite, Inc.
Winnipeg 204-895-2300

NEW BRUNSWICK

EMR Services, Ltd.
Moncton 506-855-4228

ONTARIO

R.G. Henderson Ltd.
Toronto 416-422-5580

Choquette - CKS, Inc.
Ottawa 613-739-8458

QUÉBEC

Choquette - CKS, Inc.
Montreal 514-722-2000

Choquette - CKS, Inc.
Québec City 418-681-3944

UNITED KINGDOM

Marren Group
Northants +44(0)1933 665313

HATCO CORPORATION

P.O. Box 340500

Milwaukee, WI 53234-0500 U.S.A.

800-558-0607 414-671-6350

partsandservice@hatcocorp.com

www.hatcocorp.com

Register your unit online!

See IMPORTANT OWNER INFORMATION
section for details.

Enregistrez votre appareil en ligne !

Lisez la section INFORMATIONS IMPORTANTES POUR
LE PROPRIÉTAIRE pour plus d'informations.