

add! "Curve" appeal to your Hatco Merchandiser

before ...

after!



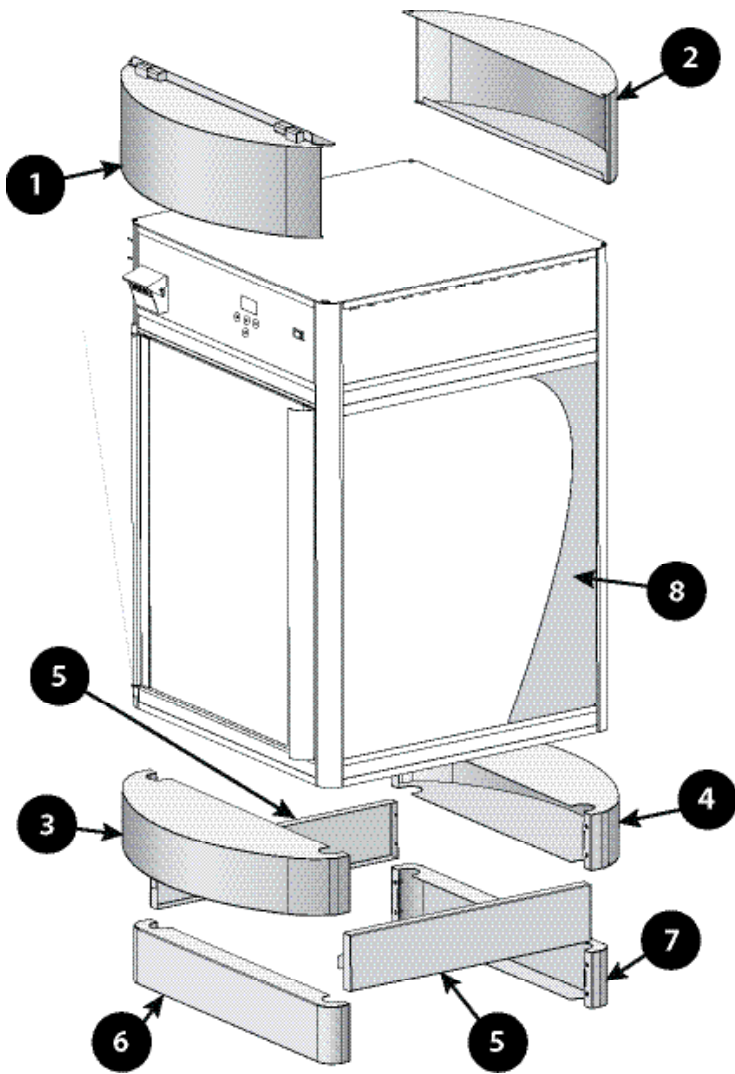
FSDT-2 shown in optional powdercoated *Designer Black*, with FSD-1CB-BK: curved hinged header on control side, one curved front panel, two flat side panels, and one flat back panel, FSDT-INSET1-BK: inset panels and magnetic pizza signs (signs not included)

Transform your Hatco Flav-R-Savor® Holding & Display Cabinet from a "heated box" into a Designer Merchandiser with a variety of simple additions!

- * The curved hinged header allows easy access to controls and water fill cup, and gives a great area to brand your food product with a magnetic sign (not included)
- * Curved inset panels enhance the overall look
- * The base skirt completes the transformation and gives an additional branding area. Available in flat or curved panels for front and/or back of unit
- * All decorative pieces come standard in *Designer Black* powdercoat, with additional *Designer* colors available



People who serve, products that solve™



FSDT-2 shown in standard aluminum extrusion, with the full Decorative Kit and magnetic pizza signs (signs not included)



FSDT-1 shown in standard aluminum extrusion with FSD-CTL-BK: Curved hinged header, FSDT-INSET1: two crescent inset panels, and magnetic pizza signs (signs not included)

Designer Colors - Additional lead time required, consult factory - nonstandard colors are non-returnable -

WR	Warm Red	BK	Black (standard)
GG	Gray Granite	WG	White Granite
NB	Navy Blue	HG	Hunter Green
AC	Antique Copper		

Side Inset:

FSD-INSET1-BK ⑧	Two crescent inset panels for FSD models
FSDT-INSET1-BK ⑧	Two crescent inset panels for FSDT models

Top Covers:

FSD-CTLH-BK ①	Curved hinged header on control side for FSD and FSDT models
FSD-CUSH-BK ②	Curved header on non-control side for FSD and FSDT models

Base Skirt:

FSD-SQB-BK ⑥ ⑤ ⑦	One flat front panel, two flat side base panels, and one flat back panel for FSD and FSDT models (requires 4" [102 mm] adjustable legs [not included])
FSD-1CB-BK ③ ⑤ ⑦	One curved front panel, two flat side panels, and one flat back panel for FSD and FSDT models (requires 4" [102 mm] adjustable legs [not included])
FSD-2CB-BK ③ ⑤ ④	One curved front panel, two flat side panels, and one curved back panel for FSD and FSDT models (requires 4" [102 mm] adjustable legs [not included])

HATCO CORPORATION P.O. Box 340500 Milwaukee, WI 53234-0500 U.S.A.
 (800) 558-0607 • (414) 671-6350 • www.hatcocorp.com • E-mail: equipsales@hatcocorp.com