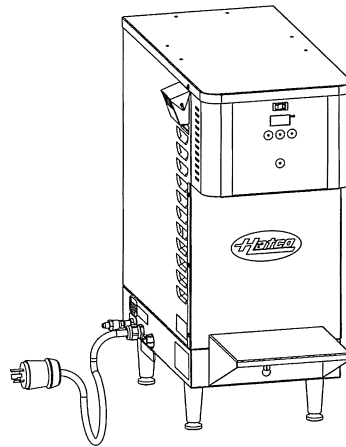




Atmospheric Hot Water Dispenser

AWD Series

AWD-12



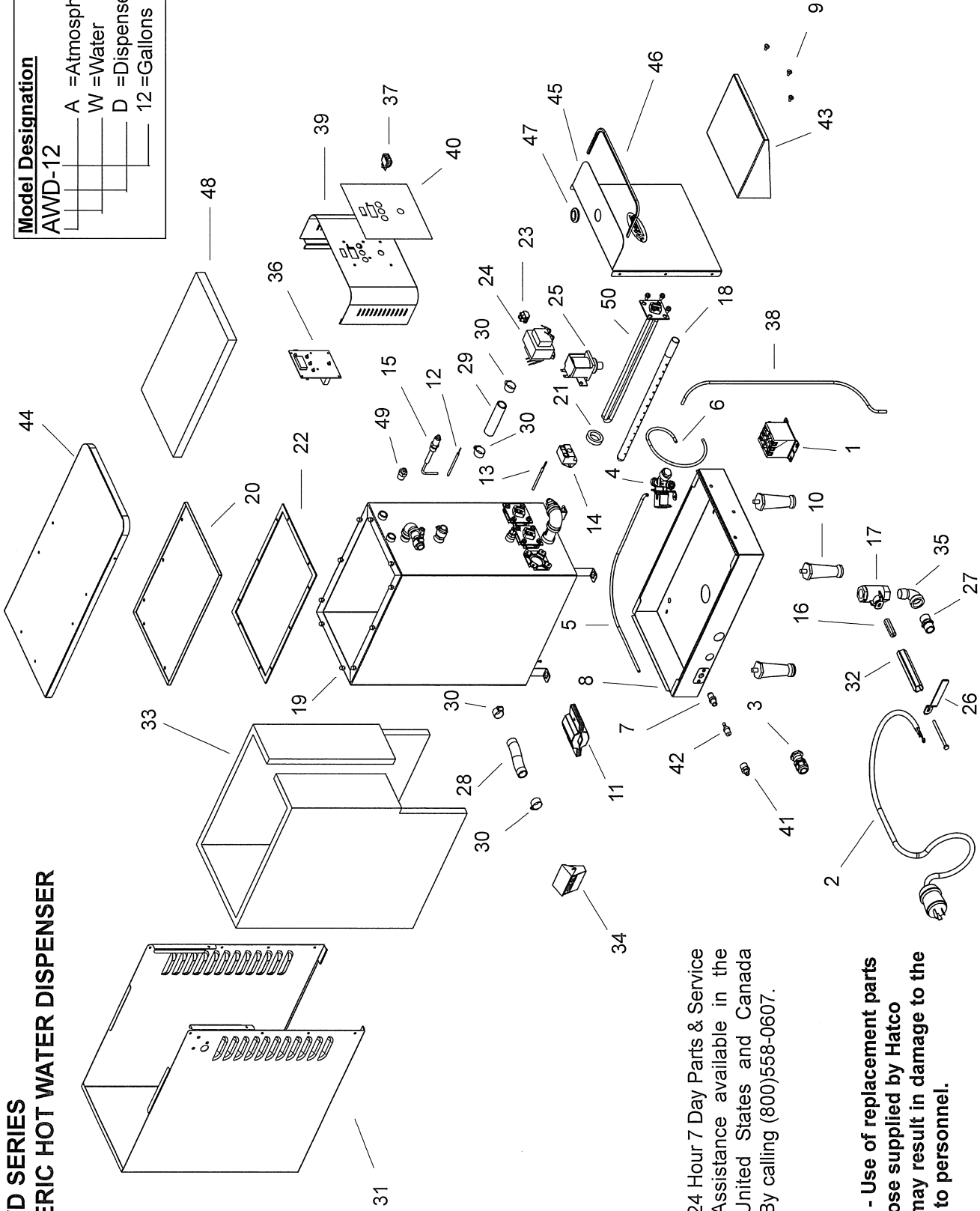
**REPLACEMENT
PARTS LIST**

HATCO AWD SERIES ATMOSPHERIC HOT WATER DISPENSER

Model Designation

AWD-12

A = Atmospheric
W = Water
D = Dispenser
12 = Gallons



24 Hour 7 Day Parts & Service
Assistance available in the
United States and Canada
By calling (800)558-0607.



CAUTION - Use of replacement parts other than those supplied by Hatco Corporation may result in damage to the unit or injury to personnel.

PARTS COMMON TO ALL AWD MODELS

ITEM	DESCRIPTION	PART NO.	QTY.	ITEM	DESCRIPTION	PART NO.	QTY.
1	Contactors 50A, 24 VAC	02.01.167.00	1	25	Dispense Valve	03.02.032.00	1
2	Power Cord Assembly-30A, 250 Volt	02.18.122.00	1	26	Handle for Ball Valve	03.02.038.00	1
3	Cord Grip	02.20.259.00	1	27	Brass Hose Connector w/Shoulder	03.05.058.00	1
4	Fill Solenoid Valve	R03.02.040.00	1	28	Hose, Delimer	03.40.089.00	1'
5	Water Fill Tube	03.40.081.00	2'	29	Hose, Dispense	03.40.089.00	1'
6	Tank Inlet Tube	03.40.081.00	2'	30	Hose Clamp	03.40.080.00	4
7	Bulkhead Union Fitting	03.40.085.00	1	31	Jacket, White Granite	04.36.009.00	1
8	Base, Warm Red	04.36.007.00	1	32	Valve extension 5.125" (130 mm)	04.36.017.00	1
9	Screw, Drip Pan	05.04.149.00	3	33	Insulation, Tank	05.05.034.00	1
10	Leg, 4" (102 mm)	05.30.065.00	4	34	Fill Cup with Cover Assembly	R05.30.050.00	1
11	Water Conditioning Magnet	05.30.087.00	1	35	Brass Elbow 3/4" (19 mm)	03.08.012.00	1
12	Thermistor Probe-			36	Water Level Control Board	02.01.189.00	1
	Temperature-Upper	02.01.203.00	1	37	On/Off Rocker Switch	02.19.081.00	1
13	Thermistor Probe			38	Outlet Tube	03.40.081.00	2'
	Temperature/Level-Lower	02.01.204.00	1	39	Front Housing, White Granite	04.36.013.00	1
14	High Limit-Surface Mount	02.16.121.00	1	40	Decal Overlay	07.03.430.00	1
15	Probe with bend-LWCO	02.40.045.00	1	41	Flare Connection	03.40.078.00	1
16	Value Extension 2" (51 mm)	03.02.029.00	1	42	Stem Adapter Fitting	03.40.084.00	1
17	Ball Valve-Stainless Steel	03.02.038.00	1	43	Drip Tray	04.36.008.00	1
18	Inlet Tube	03.40.086.00	1	44	Top Cover, Warm Red	04.36.011.00	1
19	Water Tank Assembly	04.36.005.00	1	45	Front Cover, White Granite	04.36.012.00	1
20	Tank Lid	04.36.006.00	1	46	Rubber Channel Gasket	05.06.002.00	1
21	Gasket, Heating Element	05.06.005.00	3	47	Grommet, Rubber	05.06.075.00	1
22	Gasket, Tank Lid	05.06.076.00	1	48	Isulation, Top	05.05.059.00	1
23	Terminal Block-2 Pole	02.15.050.00	1	49	Nipple, Push-On	03.40.083.00	1
24	Transformer						
	208/240 Volt-24 Volt	02.17.046.00	1				

PARTS SPECIFIC TO MODEL AWD-12

ITEM	DESCRIPTION	208V 60 Hz	240V 60 Hz	220-230V CE Single Phase 50 Hz	230-240V CE Single Phase 50 Hz	480V 60 Hz
50	Heating Element 1625W	R02.06.500.00	R02.06.501.00	---	---	---

Shaded area in parts lists on the following pages reflects export models only.

HATCO AUTHORIZED PARTS DISTRIBUTORS

ALABAMA

Jones McLeod Appl. Svc.
Birmingham 205-251-0159

ARIZONA

Auth. Comm. Food Equip.
Phoenix 602-234-2443
Byassee Equipment Co.
Phoenix 602-252-0402

CALIFORNIA

Industrial Electric
Huntington Beach 714-379-7100
Chapman Appl. Service
San Diego 619-298-7106
P & D Appliance
S. San Francisco 650-635-1900

COLORADO

Hawkins Commercial Appliance
Englewood 303-781-5548

DELAWARE

Food Equipment Service
Wilmington 302-996-9363

FLORIDA

Whaley Foodservice Repair
Jacksonville 904-725-7800
Universal Restaurant Services
Miami 305-593-5488
Nass Service Co., Inc.
Orlando 407-425-2681
B.G.S.I.
Pompano Beach 954-971-0456
Comm. Appliance Service
Tampa 813-663-0313

GEORGIA

TWC Services
Smyrna 770-438-9797
Heritage Service Group
Norcross 866-388-9837
Southeastern Rest. Svc.
Norcross 770-446-6177

HAWAII

Burney's Comm. Service, Inc.
Honolulu 808-848-1466
Food Equip Parts & Service
Honolulu 808-847-4871

ILLINOIS

Parts Town
Lombard 708-865-7278
Eichenauer Elec. Service
Decatur 217-429-4229
Midwest Elec. Appl. Service
Elmhurst 630-279-8000
Cone's Repair Service
Moline 309-797-5323

INDIANA

GCS Service
Indianapolis 317-545-9655

IOWA

Electric Motor Service Co.
Davenport 319-323-1823
Goodwin Tucker Group
Des Moines 515-262-8308

KENTUCKY

GCS Service
Louisville 502-367-1788

LOUISIANA

Chandlers Parts & Service
Baton Rouge 225-272-6620

MARYLAND

Electric Motor Service
Baltimore 410-467-8080
GCS Service
Silver Spring 301-585-7550

MASSACHUSETTS

Ace Service Co., Inc.
Needham 781-449-4220

MICHIGAN

Commercial Kitchen Service
Bay City 517-893-4561
Bildons Appliance Service
Detroit 248-478-3320
Midwest Food Equip. Service
Grandville 616-261-2000

MINNESOTA

GCS Service
Minneapolis 612-546-4221

MISSOURI

General Parts
Kansas City 816-421-5400
Commercial Kitchen Services
St. Louis 314-890-0700
Kaemmerlen Parts & Service
St. Louis 314-535-2222

NEBRASKA

Anderson Electric
Omaha 402-341-1414

NEVADA

Burney's Commercial
Las Vegas 702-736-0006
Hi. Tech Commercial Service
N. Las Vegas 702-649-4616

NEW JERSEY

Jay Hill Repair
Fairfield 973-575-9145
Service Plus
Flanders 973-691-6300

NEW YORK

Acme American Repairs, Inc.
Brooklyn 718-456-6544
Alpro Service Co.
Brooklyn 718-386-2515
Appliance Installation
Buffalo 716-884-7425
Northern Parts Dist.
Plattsburgh 518-563-3200
J.B. Brady, Inc.
Syracuse 315-422-9271

NORTH CAROLINA

Authorized Appliance
Charlotte 704-377-4501

OHIO

Akron/Canton Comm. Svc. Inc.
Akron 330-753-6635
Certified Service Center
Cincinnati 513-772-6600
Commercial Parts and Service
Columbus 614-221-0057
Electrical Appl. Repair Service
Independence 216-459-8700
E. A. Wichman Co.
Toledo 419-385-9121

OKLAHOMA

Hagar Rest. Service, Inc.
Oklahoma City 405-235-2184
Krueger, Inc.
Oklahoma City 405-528-8883

OREGON

Bressie Electric Co.
Portland 503-231-7171
Ron's Service, Inc.
Portland 503-624-0890

PENNSYLVANIA

Elmer Schultz Services
Philadelphia 215-627-5401
FAST Comm. Appl. Service
Philadelphia 215-288-4800
GCS Service
Pittsburgh 412-787-1970
K & D Service Co.
Harrisburg 717-236-9039
Electric Repair Co.
Reading 610-376-5444

RHODE ISLAND

Marshall Electric Co.
Providence 401-331-1163

SOUTH CAROLINA

Whaley Foodservice Repair
W. Columbia 803-791-4420

TENNESSEE

Camp Electric
Memphis 901-527-7543

TEXAS

Stove Parts Supply
Fort Worth 817-831-0381
Armstrong Repair Service
Houston 713-666-7100
Commercial Kitchen Repair Co.
San Antonio 210-735-2811

UTAH

La Monica's Rest. Equip. Service
Murray 801-263-3221

VIRGINIA

Daubers
Norfolk 757-855-4097
Daubers
Springfield 703-866-3600

WASHINGTON

Restaurant Appl. Service
Seattle 206-524-8200

WISCONSIN

A.S.C., Inc.
Madison 608-246-3160
A.S.C., Inc.
Milwaukee 414-543-6460

CANADA

BRITISH COLUMBIA

Key Food Equipment Service
Vancouver 604-433-4484

MANITOBA

Denko Mechanical Ltd.
Winnipeg 204-233-8003

ONTARIO

R.G. Henderson Ltd.
Toronto 416-422-5580
Choquette CKS
Ottawa 613-739-8458

QUÉBEC

Choquette CKS
Montreal 514-722-2000
Choquette CKS
Québec City 418-681-3944

HATCO CORPORATION

P.O. Box 340500, Milwaukee, WI 53234-0500 U.S.A.

(800) 558-0607 (414) 671-6350

Parts & Service Fax (800) 690-2966 Int'l. Fax (414) 671-3976

www.hatcocorp.com