



Food Rethermalizer/ Bain-Marie Heater

FR-2 Series

FR2-3

FR2-3B

FR2-4

FR2-4B

FR2-6

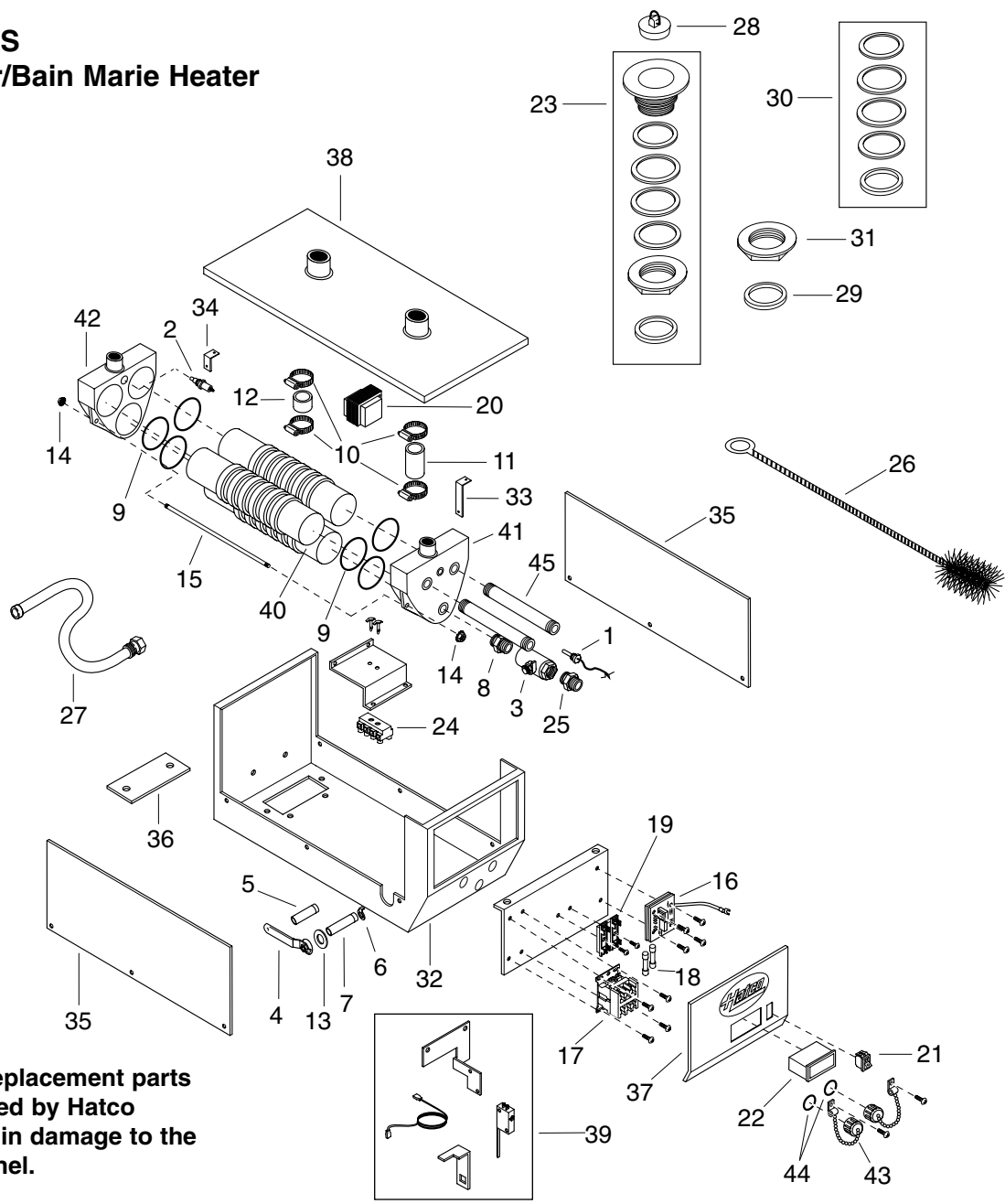
FR2-6B

FR2-9

FR2-9B

**REPLACEMENT
PARTS LIST**

HATCO FR-2 SERIES Food Rethermalizer/Bain Marie Heater



Model Designation

FR2-XB

- F = Food
- R = Rethermalizer
- 2 = 2nd Generation
- X = Kilowatts
- B = Balanced Three-Phase

⚠ CAUTION - Use of replacement parts other than those supplied by Hatco Corporation may result in damage to the unit or injury to personnel.

PARTS COMMON TO ALL FR-2 MODELS

ITEM	DESCRIPTION	PART NO.	QTY.	ITEM	DESCRIPTION	PART NO.	QTY.
1	Temperature Probe	02.01.166.00	1	22	Electronic Temperature Controller	02.01.165R.00	1
2	Probe, Low Water Cut Off	02.40.015.00	1	23	Strainer Assembly with Gaskets	R05.30.009.00	2
3	Ball Valve, Threaded	03.02.001.00	1	24	Terminal Block with Pins	R02.15.035.00	1
4	Ball Valve Handle	03.02.001B.00	1	25	Brass Hose Connector with Shoulder	03.05.058.00	1
5	Ball Valve, Hex Extension	03.02.029.00	1	26	Cleaning Brush	03.40.060.00	1
6	Ball Valve, Stop Plate	03.02.030.00	1	27	Flush Hose Assembly	05.06.010.00	1
7	3" (8 cm) Valve Extension	03.02.031.00	1	28	1-3/8" (4 cm) Rubber Stopper	05.06.026.00	1
8	3/4" x 3/4" Brass Hex Nipple	03.05.057.00	1	29	Union Gasket	05.06.009.00	1
9	O-Ring	03.40.059.00	2-6	30	Strainer Gasket Kit★	R00.05.0002.00	1
10	Hose Clamp, S.S.	03.40.061.00	4	31	Brass Locknut	05.30.009A.00	2
11	Inlet Hose	03.40.062F.00	1	32	Jacket, Black	04.06.220.00	1
12	Outlet Hose	03.40.062R.00	1	33	Front Head Strap	04.06.223.00	2
13	Rubber Gasket	05.06.006.00	1	34	Rear Head Strap	04.06.224.00	2
14	Keps Nut	05.04.205.00	4	35	Side Panel, Black	04.06.222.00	2
15	Rod, Threaded	05.04.419.00	2	36	Bottom Access Panel, Black	04.06.228.00	1
16	Low Water Cut Off, 24 Volt	02.01.148.00	1	37	Front Control Panel	04.06.221.00	1
17	Contactator - 3 Pole	02.01.167.00	1	38	Top Assembly, S.S.	04.06.225.00	1
18	Fuse, 2 Amp (2 per pack)	R02.03.014.02	1	39	Drain Switch Kit	R02.19.162.00	1
19	Fuse Block	02.03.022.00	1				
20	Transformer, 208/240 - 24 Volt	02.17.044.00	1				
21	On/Off Switch	02.19.081.00	1				

Note: S.S. is an abbreviation for stainless steel.

★ Includes all gaskets for both strainers.

PARTS SPECIFIC TO MODEL FR2-3 & FR2-3B						
ITEM	DESCRIPTION	208V	208V	240V	240V	480V
		Single Phase	Balanced Three-Phase	Single Phase	Balanced Three-Phase	Three-Phase
40	Heating Element (Qty. 1-3)	R02.06.003F.00	R02.06.003F.00	R02.06.003F.00	R02.06.003F.00	---
41	Front Head	03.17.001.00	03.17.003.00	03.17.001.00	03.17.003.00	---
42	Rear Head	03.17.002.00	03.17.004.00	03.17.002.00	03.17.004.00	---
43	Cap, Clean Out (Qty. 2)	---	03.40.063.00	---	03.40.063.00	---
44	Gasket, Clean Out Cap (Qty. 2)	---	05.06.066.00	---	05.06.066.00	---
45	Pipe, Clean Out (Qty. 2)	---	03.11.012.00	---	03.11.012.00	---
	Electrical Drawing	HS1-5375	HS1-5376	HS1-5375	HS1-5376	---

PARTS SPECIFIC TO MODEL FR2-4 & FR2-4B						
ITEM	DESCRIPTION	208V	208V	240V	240V	480V
		Single Phase	Balanced Three-Phase	Single Phase	Balanced Three-Phase	Three-Phase
40	Heating Element (Qty. 1-3)	R02.06.003F.00	R02.06.004F.00	R02.06.003F.00	R02.06.004F.00	---
41	Front Head	03.17.001.00	03.17.003.00	03.17.001.00	03.17.003.00	---
42	Rear Head	03.17.002.00	03.17.004.00	03.17.002.00	03.17.004.00	---
43	Cap, Clean Out (Qty. 2)	---	03.40.063.00	---	03.40.063.00	---
44	Gasket, Clean Out Cap (Qty. 2)	---	05.06.066.00	---	05.06.066.00	---
45	Pipe, Clean Out (Qty. 2)	---	03.11.012.00	---	03.11.012.00	---
	Electrical Drawing	HS1-5375	HS1-5518	HS1-5375	HS1-5518	---

Note: "B" in model indicates balanced 3 phase only.

Note: S.S. is an abbreviation for stainless steel.

PARTS SPECIFIC TO MODEL FR2-6 & FR2-6B						
ITEM	DESCRIPTION	208V	208V	240V	240V	480V
		Single Phase	Balanced Three-Phase	Single Phase	Balanced Three-Phase	Three-Phase
40	Heating Element (Qty. 1-3)	R02.06.003F.00	R02.06.004F.00	R02.06.003F.00	R02.06.004F.00	---
41	Front Head	03.17.003.00	03.17.003.00	03.17.003.00	03.17.003.00	---
42	Rear Head	03.17.004.00	03.17.004.00	03.17.004.00	03.17.004.00	---
43	Cap, Clean Out (Qty. 2)	03.40.063.00	03.40.063.00	03.40.063.00	03.40.063.00	---
44	Gasket, Clean Out Cap (Qty. 2)	05.06.066.00	05.06.066.00	05.06.066.00	05.06.066.00	---
45	Pipe, Clean Out (Qty. 2)	03.11.012.00	03.11.012.00	03.11.012.00	03.11.012.00	---
	Electrical Drawing	HS1-5377	HS1-5378	HS1-5377	HS1-5378	---

PARTS SPECIFIC TO MODEL FR2-9 & FR2-9B						
ITEM	DESCRIPTION	208V	208V	240V	240V	480V
		Single Phase	Balanced Three-Phase	Single Phase	Balanced Three-Phase	Three-Phase
40	Heating Element (Qty. 3)	---	R02.06.003F.00	---	R02.06.003F.00	---
41	Front Head	---	03.17.003.00	---	03.17.003.00	---
42	Rear Head	---	03.17.004.00	---	03.17.004.00	---
43	Cap, Clean Out (Qty. 2)	---	03.40.063.00	---	03.40.063.00	---
44	Gasket, Clean Out Cap (Qty. 2)	---	05.06.066.00	---	05.06.066.00	---
45	Pipe, Clean Out (Qty. 2)	---	03.11.012.00	---	03.11.012.00	---
	Electrical Drawing	---	HS1-5379	---	HS1-5379	---

Note: "B" in model indicates balanced 3 phase only.

Note: S.S. is an abbreviation for stainless steel.

NOTES

NOTES

HATCO AUTHORIZED PARTS DISTRIBUTORS

ALABAMA

Jones McLeod Appl. Svc.
Birmingham 205-251-0159

ARIZONA

Auth. Comm. Food Equip.
Phoenix 602-234-2443
Byassee Equipment Co.
Phoenix 602-252-0402

CALIFORNIA

Industrial Electric
Huntington Beach 714-379-7100
Chapman Appl. Service
San Diego 619-298-7106
P & D Appliance
S. San Francisco 650-635-1900

COLORADO

All City Service
Denver 303-454-9500
Hawkins Commercial Appliance
Englewood 303-781-5548

DELAWARE

Food Equipment Service
Wilmington 302-996-9363

FLORIDA

Whaley Foodservice Repair
Jacksonville 904-725-7800
Nass Service Co., Inc.
Orlando 407-425-2681
B.G.S.I.
Pompano Beach 954-971-0456
Comm. Appliance Service
Tampa 813-663-0313

GEORGIA

Southeastern Rest. Svc.
Norcross 770-446-6177

HAWAII

Burney's Comm. Service, Inc.
Honolulu 808-848-1466
Food Equip Parts & Service
Honolulu 808-847-4871

ILLINOIS

Parts Town
Broadview 708-865-7278
Eichenauer Elec. Service
Decatur 217-429-4229
Midwest Elec. Appl. Service
Elmhurst 630-279-8000
Cone's Repair Service
Moline 309-797-5323

INDIANA

Comm. Parts & Service, Inc.
Indianapolis 317-545-9655

IOWA

Electric Motor Service Co.
Davenport 319-323-1823

KENTUCKY

Comm. Parts & Service, Inc.
Louisville 502-367-1788

LOUISIANA

Chandlers Parts & Service
Baton Rouge 225-272-6620

LOUISIANA (Continued)

Bana Comm. Parts, Inc.
Shreveport 318-631-6550

MARYLAND

Electric Motor Service
Baltimore 410-467-8080
GCS Service, Inc.
Silver Spring 301-585-7550

MASSACHUSETTS

Ace Service Co., Inc.
Needham 781-449-4220

MICHIGAN

Commercial Kitchen Service
Bay City 517-893-4561
Bildons Appliance Service
Detroit 248-478-3320
Midwest Food Equip. Service
Grandville 616-261-2000

MINNESOTA

GCS Service
Minneapolis 612-546-4221

MISSOURI

GCS Service, Inc.
Kansas City 816-920-5999
Commercial Kitchen Services
St. Louis 314-890-0700
Kaemmerlen Parts & Service
St. Louis 314-535-2222

NEBRASKA

Anderson Electric
Omaha 402-341-1414

NEVADA

Burney's Commercial
Las Vegas 702-736-0006
Hi. Tech Commercial Service
N. Las Vegas 702-649-4616

NEW JERSEY

Jay Hill Repair
Fairfield 973-575-9145
Service Plus
Flanders 973-691-6300

NEW YORK

Acme American Repairs, Inc.
Brooklyn 718-456-6544
Alpro Service Co.
Brooklyn 718-386-2515
Appliance Installation
Buffalo 716-884-7425
Northern Parts Dist.
Plattsburgh 518-563-3200
J. B. Brady, Inc.
Syracuse 315-422-9271

NORTH CAROLINA

Authorized Appliance
Charlotte 704-377-4501

OHIO

Akron/Canton Comm. Svc. Inc.
Akron 330-753-6635
Certified Service Center
Cincinnati 513-772-6600
GCS Service
Columbus 614-476-3225

OHIO (Continued)

Electrical Appl. Repair Service
Independence 216-459-8700
E. A. Wichman Co.
Toledo 419-385-9121

OKLAHOMA

Hagar Rest. Service, Inc.
Oklahoma City 405-235-2184
Krueger, Inc.
Oklahoma City 405-528-8883

OREGON

Bressie Electric Co.
Portland 503-231-7171
Ron's Service, Inc.
Portland 503-624-0890

PENNSYLVANIA

Authorized Factory Service
Coraopolis 412-262-2330
FAST Comm. Appl. Service
Philadelphia 215-288-4800

GCS Service, Inc.
Pittsburgh 412-787-1970

K & D Service Co.
Harrisburg 717-236-9039

Elmer Schultz Services
Philadelphia 215-627-5401

Electric Repair Co.
Reading 610-376-5444

RHODE ISLAND

Marshall Electric Co.
Providence 401-331-1163

SOUTH CAROLINA

Whaley Foodservice Repair
W. Columbia 803-791-4420

TENNESSEE

Camp Electric
Memphis 901-527-7543

TEXAS

City Kitchen Service Co.
Austin 512-719-4445

Stove Parts Supply
Fort Worth 817-831-0381

Armstrong Repair Service
Houston 713-666-7100

Commercial Kitchen Repair Co.
San Antonio 210-735-2811

San Antonio Rest. Equip.
San Antonio 210-824-3271

UTAH

Peterson's Commercial Parts & Svc.
Salt Lake City 801-487-3653

VIRGINIA

Daubers
Norfolk 757-855-4097

Daubers
Springfield 703-866-3600

WASHINGTON

Restaurant Appl. Service
Seattle 206-524-8200

WISCONSIN

A.S.C., Inc.
Madison 608-246-3160

A.S.C., Inc.
Milwaukee 414-543-6460

HATCO CORPORATION

P.O. Box 340500, Milwaukee, WI 53234-0500 U.S.A.

(800) 558-0607 (414) 671-6350

Parts & Service Fax (800) 690-2966 Int'l. Fax (414) 671-3976

www.hatcocorp.com