



IMPORTANT NOTE:

Locate the Specification Label on unit to determine exact Model Name and electrical specifications. This information is needed to identify the correct replacement parts. See exploded view illustration(s) for Specification Label location.

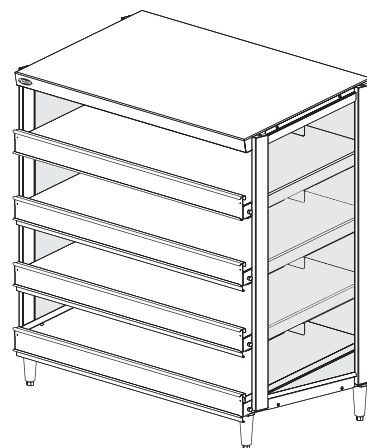
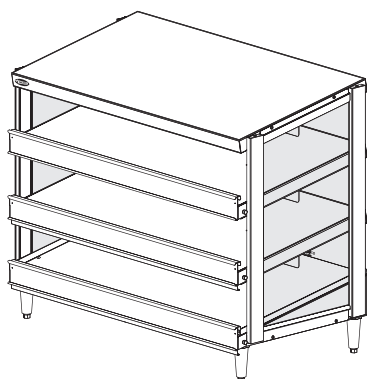
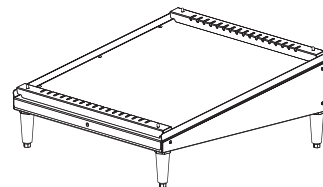
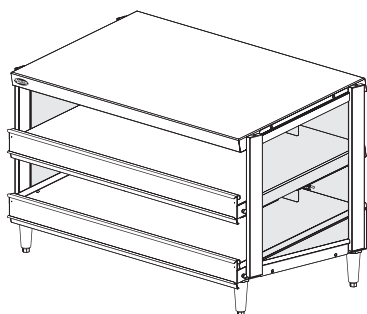


Use of replacement parts other than those supplied by Hatco Corporation may result in damage to unit or injury to personnel and will void all warranties.

Glo-Ray® Pizza Warmers

GRPWS Series

<u>Model Name</u>	<u>Page</u>
GRPWS-xxxx.....	2
GRPWS-xxxxD.....	4
GRPWS-xxxxT.....	4
GRPWS-xxxxQ.....	4

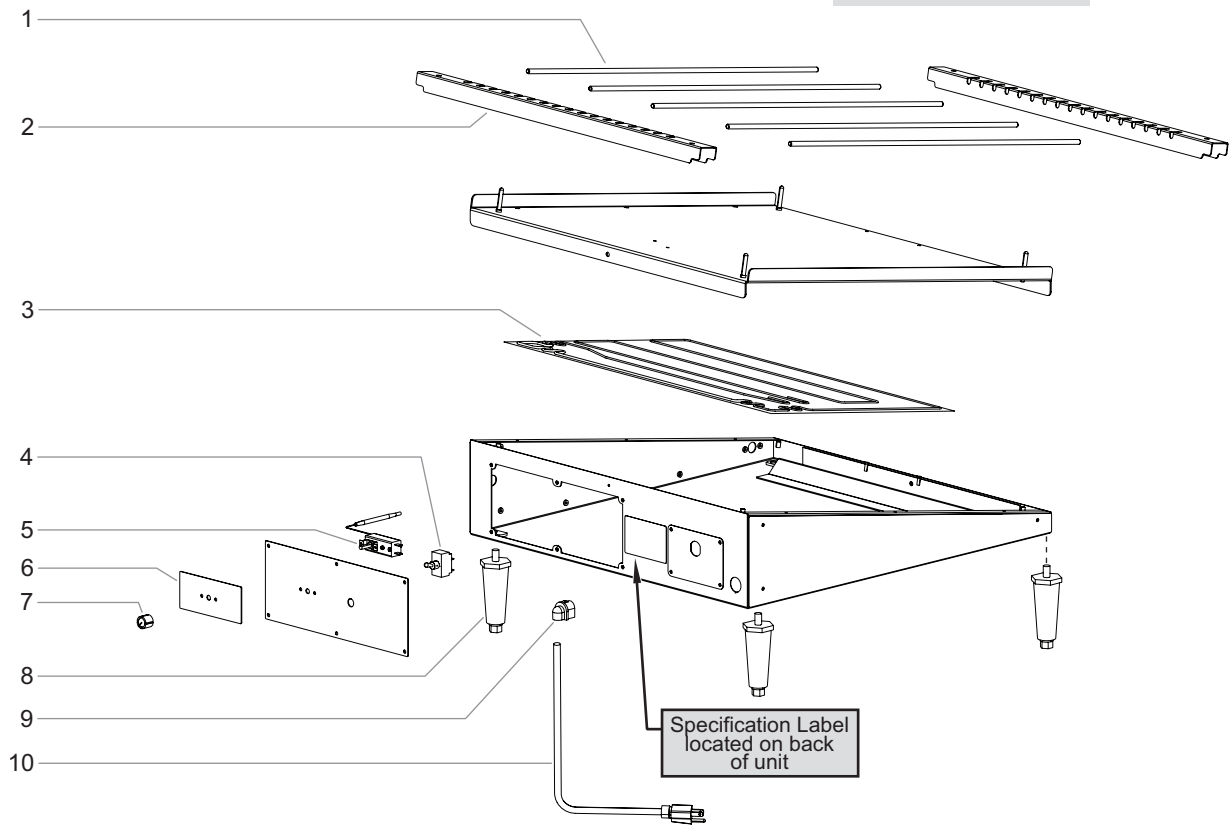


Replacement Parts List

Hatco Glo-Ray® Pizza Warmers

GRPWS-xxxx Models

GRPWS-2424 Shown



Parts for GRPWS-xxxx Models

Item	Description	Part No.	Qty.
1	Divider Rods	04.15.112.00	5-12
2	Channel Dividers		
	GRPWS-2424	04.15.054.00	2
	GRPWS-3624	04.15.754.00	2
	GRPWS-4824	04.32.051.00	2
3	Heating Element		
	GRPWS-2424	02.05.445.00	1
	GRPWS-3624	02.05.449.00	1
	GRPWS-4824		
	Blanket Element	02.05.451.00	1
	Rope Element	02.05.098.00	2
4	On/Off Switch	R02.19.008A.00	1

Item	Description	Part No.	Qty.
5	Thermostat Control	R02.16.039.00	1
6	Label, Thermostat Control	07.03.612.00	1
7	Knob, Thermostat	05.30.039.00	1
8	4" (102 mm) Legs	05.30.007.00	4
9	Cord Grip	02.20.330.00	1
10	Cord and Plug	R02.018.030.00	1
	Wiring Diagram 120V	HS1-6127	

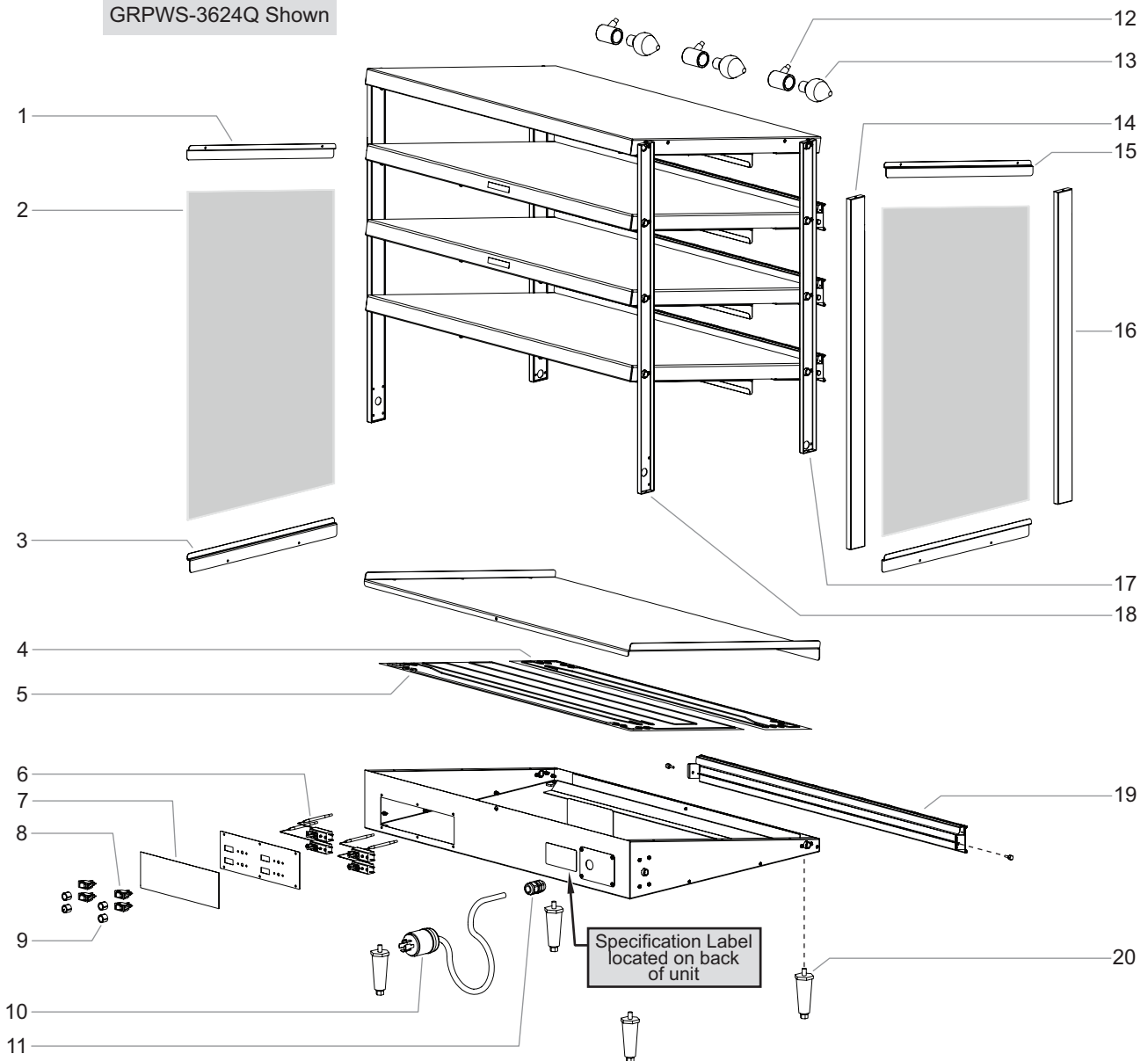
NOTE: The last four digits in a ten digit numerical serial number are the manufacturing date code.

Example: Serial number 9625062231 has a date code of "2231" which indicates the following: 2231

└─ Week Thirty-One
└─ Year 2022

Hatco Glo-Ray® Pizza Warmers
GRPWS-xxxxD, GRPWS-xxxxT, and GRPWS-xxxxQ Models

GRPWS-3624Q Shown



Parts for GRPWS-xxxxD Models

Item	Description	Part No.	Qty.
1	Glass Bracket, Upper Right		
	GRPWS-2418D, -3618D, -4818D	04.29.019.00	1
	GRPWS-2424D, -3624D, -4824D	04.29.036.00	1
2	Glass Panel		
	GRPWS-2418D, -3618D, -4818D	04.40.133.00	2
	GRPWS-2424D, -3624D, -4824D	04.40.135.00	2
3	Glass Bracket, Lower		
	GRPWS-2418D, -3618D, -4818D	04.29.017.00	2
	GRPWS-2424D, -3624D, -4824D	04.15.796.00	2
4	Heating Element, Front		
	Date Code 1240 and newer		
	GRPWS-2418D	02.05.829.00	2
	GRPWS-3618D	02.05.831.00	2
	GRPWS-4818D	02.05.833.00	2
	GRPWS-2424D	02.05.835.00	2
	GRPWS-3624D	02.05.837.00	2
	GRPWS-4824D	02.05.839.00	2
	Date Code 1239 and older		
	GRPWS-2418D, -2424D	02.05.468.00	2
	GRPWS-3618D, -3624D	02.05.470.00	2
	GRPWS-4818D, -4824D	02.05.460.00	2
5	Heating Element, Rear		
	Date Code 1240 and newer		
	GRPWS-2418D	02.05.830.00	2
	GRPWS-3618D	02.05.832.00	2
	GRPWS-4818D	02.05.834.00	2
	GRPWS-2424D	02.05.836.00	2
	GRPWS-3624D	02.05.838.00	2
	GRPWS-4824D	02.05.840.00	2
	Date Code 1239 and older		
	GRPWS-2418D	02.05.462.00	2
	GRPWS-3618D	02.05.464.00	2
	GRPWS-4818D	02.05.461.00	2
	GRPWS-2424D	02.05.475.00	2
	GRPWS-3624D	02.05.477.00	2
	GRPWS-4824D	02.05.474.00	2
6	Thermostat Control	R02.16.039.00	2
7	Label, Thermostat Control	07.03.307.00	1
8	On/Off Switch	02.19.080.00	2
9	Knob, Thermostat	05.30.039.00	2

Item	Description	Part No.	Qty.
10	Cord and Plug		
	Date Code 1240 and newer		
	GRPWS-2418D	R02.18.030.00	1
	GRPWS-3618D	R02.18.030.00	1
	GRPWS-4818D		
	120 V	02.18.089.00	1
	120/208-240 V	02.18.128.00	1
	GRPWS-2424D	R02.18.030.00	1
	GRPWS-3624D **	R02.18.030.00	1
	GRPWS-4824D ♦	02.18.128.00	1
	Date Code 1239 and older		
	GRPWS-2418D	R02.18.030.00	1
	GRPWS-3618D	R02.18.030.00	1
	GRPWS-4818D	R02.18.030.00	1
	GRPWS-2424D	R02.18.030.00	1
	GRPWS-3624D	R02.18.030.00	1
	GRPWS-4824D	R02.18.154.00	1
11	Cord Grip	R02.20.259.00	1
12	Light Socket w/ Leads	02.30.044.00	2-8
13	Light Bulb	02.30.043.00	2-8
14	Post Cover, Rear †		
	GRPWS-2418D, -3618D, -4818D	04.29.126.00	2
	GRPWS-2424D, -3624D, -4824D	04.29.133.00	2
15	Glass Bracket, Upper Left		
	GRPWS-2418D, -3618D, -4818D	04.29.018.00	1
	GRPWS-2424D, -3624D, -4824D	04.29.035.00	1
16	Post Cover, Front †	04.29.128.00	2
17	Support Post, Front	04.29.124.00	2
18	Support Post, Rear		
	GRPWS-2418D, -3618D, -4818D	04.29.122.00	2
	GRPWS-2424D, -3624D, -4824D	04.29.130.00	2
19	Box Stop (Screw Mount) * †		
	GRPWS-2418D, -2424D	04.29.318.00	2
	GRPWS-3618D, -3624D	04.29.320.00	2
	GRPWS-4818D, -4824D	04.29.322.00	2
20	4" (102 mm) Legs	05.30.007.00	4
	Wiring Diagrams		
	120V	HS2-5079	
	120/208 and 120/240V	HS2-5080	

† Use one of the following suffixes for the appropriate painted part:

“.00” = Unpainted “.04” = White Granite
 “.01” = Black “.05” = Navy Blue
 “.02” = Gray Granite “.07” = Hunter Green
 “.03” = Warm Red “.21” = Antique Copper

* Units with a date code 0840 or earlier use a clip mount Box Stop. Use the following P/Ns for the specified model:

GRPWS-2418D and GRPWS-2424D: P/N 04.29.216.00
 GRPWS-3618D and GRPWS-3624D: P/N 04.29.218.00
 GRPWS-4818D and GRPWS-4824D: P/N 04.29.220.00

** Canadian units use P/N 02.18.089.00 cord and plug.

♦ Optional NEMA 14-20P use P/N 02.18.085.00.

NOTE: The last four digits in a ten digit numerical serial number are the manufacturing date code.

Example: Serial number 9625062231 has a date code of “2231” which indicates the following: 2231

└─ Week Thirty-One
 └─ Year 2022

Parts for GRPWS-xxxxT Models (see illustration on page 4)

Item	Description	Part No.	Qty.
1	Glass Bracket, Upper Right		
	GRPWS-2418T, -3618T, -4818T	04.29.019.00	1
	GRPWS-2424T, -3624T, -4824T	04.29.036.00	1
2	Glass Panel		
	GRPWS-2418T, -3618T, -4818T	04.40.131.00	2
	GRPWS-2424T, -3624T, -4824T	04.40.136.00	2
3	Glass Bracket, Lower		
	GRPWS-2418T, -3618T, -4818T	04.29.017.00	2
	GRPWS-2424T, -3624T, -4824T	04.15.796.00	2
4	Heating Element, Front		
	Date Code 1240 and newer, 120 V		
	GRPWS-2418T	02.05.829.00	3
	GRPWS-3618T	02.05.831.00	3
	GRPWS-4818T	02.05.833.00	3
	GRPWS-2424T	02.05.835.00	3
	GRPWS-3624T	02.05.837.00	3
	GRPWS-4824T	02.05.839.00	3
	Date Code 1239 and older, 120 V		
	GRPWS-2418T, -2424T	02.05.468.00	3
	GRPWS-3618T, -3624T	02.05.470.00	3
	GRPWS-4818T, -4824T	02.05.460.00	3
All Date Codes, 220, 240, and 220/230/240 V			
GRPWS-2424T	02.05.530.00	3	
GRPWS-3624T	02.05.487.00	3	
GRPWS-4824T	02.05.488.00	3	
5	Heating Element, Rear		
	Date Code 1240 and newer, 120 V		
	GRPWS-2418T	02.05.830.00	3
	GRPWS-3618T	02.05.832.00	3
	GRPWS-4818T	02.05.834.00	3
	GRPWS-2424T	02.05.836.00	3
	GRPWS-3624T	02.05.838.00	3
	GRPWS-4824T	02.05.840.00	3
	Date Code 1239 and older, 120 V		
	GRPWS-2418T	02.05.462.00	3
	GRPWS-3618T	02.05.464.00	3
	GRPWS-4818T	02.05.461.00	3
GRPWS-2424T	02.05.475.00	3	
GRPWS-3624T	02.05.477.00	3	
GRPWS-4824T	02.05.474.00	3	
All Date Codes, 220, 240, and 220/230/240 V			
GRPWS-2424T	02.05.529.00	3	
GRPWS-3624T	02.05.489.00	3	
GRPWS-4824T	02.05.490.00	3	
6	Thermostat Control	R02.16.039.00	3
7	Label, Thermostat Control	07.03.308.00	1
8	On/Off Switch		
	120V	02.19.080.00	3
	220/230/240 V	02.19.081.00	3
9	Knob, Thermostat	05.30.039.00	3

The shaded areas contain information for **International models only**.

** Canadian units use P/N 02.18.089.00 cord and plug.

♦ Optional NEMA 14-20P use P/N 02.18.085.00.

Item	Description	Part No.	Qty.
10	Cord and Plug		
	Date Code 1240 and newer		
	GRPWS-2418T	R02.18.030.00	1
	GRPWS-3618T, -3624T ♦	02.18.128.00	1
	GRPWS-2424T **	R02.18.030.00	1
	GRPWS-4818T, -4824T		
	NEMA L14-20P (US) ♦	02.18.128.00	1
	NEMA L14-30P (Canada)	02.18.309.00	1
	Date Code 1239 and older		
	GRPWS-2418T, -2424T	R02.18.030.00	1
GRPWS-3618T	R02.18.154.00	1	
GRPWS-4818T, -3624T	02.18.089.00	1	
GRPWS-4824T	02.18.128.00	1	
All Date Codes, 220, 240, and 220/230/240 V			
220 and 220/230 V			
GRPWS-2424T, -3624T	02.18.077.00	1	
GRPWS-4824T	02.18.038.00	1	
240 and 230/240 V (All Models)			
	02.18.068.00	1	
11	Cord Grip	R02.20.259.00	1
12	Light Socket w/ Leads	02.30.044.00	3-12
13	Light Bulb		
	120V	02.30.043.00	3-12
	220/230/240 V	02.30.058.00	3-12
14	Post Cover, Rear †		
	GRPWS-2418T, -3618T, -4818T	04.29.026.00	2
	GRPWS-2424T, -3624T, -4824T	04.29.134.00	2
15	Glass Bracket, Upper Left		
	GRPWS-2418T, -3618T, -4818T	04.29.018.00	1
	GRPWS-2424T, -3624T, -4824T	04.29.035.00	1
16	Post Cover, Front †	04.29.025.00	2
17	Support Post, Front	04.29.023.00	2
18	Support Post, Rear		
	GRPWS-2418T, -3618T, -4818T	04.29.024.00	2
	GRPWS-2424T, -3624T, -4824T	04.29.131.00	2
19	Box Stop (Screw Mount) * †		
	GRPWS-2418T, -2424T	04.29.318.00	3
	GRPWS-3618T, -3624T	04.29.320.00	3
	GRPWS-4818T, -4824T	04.29.322.00	3
20	4" (102 mm) Legs	05.30.007.00	4
	Wiring Diagrams		
	120V	HS2-4900	
	120/208 and 120/240 V	HS2-5076	
	220/230/240 V	HS2-5302	

* Units with a date code 0840 or earlier use a clip mount Box Stop. Use the following P/Ns for the specified model:

GRPWS-2418T and GRPWS-2424T: P/N 04.29.216.00

GRPWS-3618T and GRPWS-3624T: P/N 04.29.218.00

GRPWS-4818T and GRPWS-4824T: P/N 04.29.220.00

† Use one of the following suffixes for the appropriate painted part:

“.00” = Unpainted

“.04” = White Granite

“.01” = Black

“.05” = Navy Blue

“.02” = Gray Granite

“.07” = Hunter Green

“.03” = Warm Red

“.21” = Antique Copper

Parts for GRPWS-xxxxQ Models (see illustration on page 4)

Item	Description	Part No.	Qty.
1	Glass Bracket, Upper Right		
	GRPWS-2418Q, -3618Q, -4818Q	04.29.019.00	1
	GRPWS-2424Q, -3624Q, -4824Q	04.29.036.00	1
2	Glass Panel		
	GRPWS-2418Q, -3618Q, -4818Q	04.40.134.00	2
	GRPWS-2424Q, -3624Q, -4824Q	04.40.137.00	2
3	Glass Bracket, Lower		
	GRPWS-2418Q, -3618Q, -4818Q	04.29.017.00	2
	GRPWS-2424Q, -3624Q, -4824Q	04.15.796.00	2
4	Heating Element, Front		
	Date Code 1240 and newer		
	GRPWS-2418Q	02.05.829.00	4
	GRPWS-3618Q	02.05.831.00	4
	GRPWS-4818Q	02.05.833.00	4
	GRPWS-2424Q	02.05.835.00	4
	GRPWS-3624Q	02.05.837.00	4
	GRPWS-4824Q	02.05.839.00	4
	Date Code 1239 and older		
	GRPWS-2418Q, -2424Q	02.05.468.00	4
	GRPWS-3618Q, -3624Q	02.05.470.00	4
	GRPWS-4818Q, -4824Q	02.05.460.00	4
5	Heating Element, Rear		
	Date Code 1240 and newer		
	GRPWS-2418Q	02.05.830.00	4
	GRPWS-3618Q	02.05.832.00	4
	GRPWS-4818Q	02.05.834.00	4
	GRPWS-2424Q	02.05.836.00	4
	GRPWS-3624Q	02.05.838.00	4
	GRPWS-4824Q	02.05.840.00	4
	Date Code 1239 and older		
	GRPWS-2418Q	02.05.462.00	4
	GRPWS-3618Q	02.05.464.00	4
	GRPWS-4818Q	02.05.461.00	4
	GRPWS-2424Q	02.05.475.00	4
	GRPWS-3624Q	02.05.477.00	4
	GRPWS-4824Q	02.05.474.00	4
6	Thermostat Control	R02.16.039.00	4
7	Label, Thermostat Control	07.03.309.00	1
8	On/Off Switch	02.19.080.00	4
9	Knob, Thermostat	05.30.039.00	4

Item	Description	Part No.	Qty.
10	Cord and Plug		
	Date Code 1240 and newer		
	GRPWS-2418Q		
	120 V	02.18.185.00	1
	120/208-240 V ♦	02.18.128.00	1
	GRPWS-3618Q ♦	02.18.128.00	1
	GRPWS-4818Q ♦	02.18.128.00	1
	GRPWS-2424Q ♦	02.18.128.00	1
	GRPWS-3624Q ♦	02.18.128.00	1
	GRPWS-4824Q ♦		
	NEMA L14-20P (US) ♦	02.18.128.00	1
	NEMA L14-30P (Canada)	02.18.309.00	1
	Date Code 1239 and older		
	GRPWS-2418Q	R02.18.030.00	1
	GRPWS-3618Q	02.18.089.00	1
	GRPWS-4818Q	02.18.128.00	1
	GRPWS-2424Q	02.18.089.00	1
	GRPWS-3624Q	02.18.128.00	1
	GRPWS-4824Q	02.18.128.00	1
11	Cord Grip	R02.20.259.00	1
12	Light Socket w/ Leads	02.30.044.00	4-16
13	Light Bulb	02.30.043.00	4-16
14	Post Cover, Rear †		
	GRPWS-2418Q, -3618Q, -4818Q	04.29.127.00	2
	GRPWS-2424Q, -3624Q, -4824Q	04.29.135.00	2
15	Glass Bracket, Upper Left		
	GRPWS-2418Q, -3618Q, -4818Q	04.29.018.00	1
	GRPWS-2424Q, -3624Q, -4824Q	04.29.035.00	1
16	Post Cover, Front †	04.29.129.00	2
17	Support Post, Front	04.29.125.00	2
18	Support Post, Rear		
	GRPWS-2418Q, -3618Q, -4818Q	04.29.123.00	2
	GRPWS-2424Q, -3624Q, -4824Q	04.29.132.00	2
19	Box Stop (Screw Mount) * †		
	GRPWS-2418Q, -2424Q	04.29.318.00	4
	GRPWS-3618Q, -3624Q	04.29.320.00	4
	GRPWS-4818Q, -4824Q	04.29.322.00	4
20	4" (102 mm) Legs	05.30.007.00	4
	Wiring Diagram		
	120/208-240V	HS2-5083	

† Use one of the following suffixes for the appropriate painted part:

- | | |
|----------------------|------------------------|
| “.00” = Unpainted | “.04” = White Granite |
| “.01” = Black | “.05” = Navy Blue |
| “.02” = Gray Granite | “.07” = Hunter Green |
| “.03” = Warm Red | “.21” = Antique Copper |

* Units with a date code 0840 or earlier use a clip mount Box Stop. Use the following P/Ns for the specified model:

- GRPWS-2418Q and GRPWS-2424Q: P/N 04.29.216.00
- GRPWS-3618Q and GRPWS-3624Q: P/N 04.29.218.00
- GRPWS-4818Q and GRPWS-4824Q: P/N 04.29.220.00

♦ Optional NEMA 14-20P use P/N 02.18.085.00.

NOTE: The last four digits in a ten digit numerical serial number are the manufacturing date code.

Example: Serial number 9625062231 has a date code of “2231” which indicates the following: 2231



AUTHORIZED PARTS DISTRIBUTORS • DISTRIBUTEURS DE PIÈCES AUTORISÉS

ALABAMA

Jones McLeod Appl. Svc.
Birmingham 205-251-0159

ARIZONA

Tech 24
Phoenix 602-234-2443

Byassee Equipment Co.
Phoenix 602-252-0402

CALIFORNIA

Industrial Electric
Commercial Parts & Service, Inc.
Huntington Beach 714-379-7100

Chapman Appl. Service
San Diego 619-298-7106

P & D Appliance
Commercial Parts & Service, Inc.
S. San Francisco 650-635-1900

COLORADO

Hawkins Commercial Appliance
Englewood 303-781-5548

FLORIDA

Whaley Foodservice Repair
Jacksonville 904-725-7800

Whaley Foodservice Repair
Orlando 407-757-0851

B.G.S.I./Heritage
Pompano Beach 954-971-0456

Comm. Appliance Service
Tampa 813-663-0313

GEORGIA

Heritage Service Group
Norcross 866-388-9837

HAWAII

Burney's Comm. Service, Inc.
Honolulu 808-848-1466

Food Equip Parts & Service
Honolulu 808-847-4871

ILLINOIS

Parts Town
Addison 708-865-7278

Eichenauer Elec. Service
Decatur 217-429-4229

Midwest Elec. Appl. Service
Elmhurst 630-279-8000

Cone's Repair Service
Moline 309-797-5323

IOWA

Goodwin Tucker Group
Des Moines 515-262-9308

KENTUCKY

Tech 24
Lexington 859-254-8854

Tech 24
Louisville 502-451-5411

LOUISIANA

Chandlers Parts & Service
Baton Rouge 225-272-6620

MARYLAND

Electric Motor Service
Baltimore 410-467-8080

MASSACHUSETTS

Ace Service Co., Inc.
Needham 781-449-4220

MICHIGAN

Bildons Appliance Service
Detroit 248-478-3320

Commercial Kitchen Service
Bay City 989-893-4561

Midwest Food Equip. Service
Grandville 616-261-2000

MISSOURI

General Parts
Kansas City 816-421-5400

Commercial Kitchen Services
St. Louis 314-890-0700

Kaemmerlen Parts & Service
St. Louis 314-535-2222

NEBRASKA

Anderson Electric
Omaha 402-341-1414

NEVADA

Burney's Commercial
Las Vegas 702-736-0006

Hi. Tech Commercial Service
N. Las Vegas 702-649-4616

NEW JERSEY

Jay Hill Repair
Fairfield 973-575-9145

Service Plus
Flanders 973-691-6300

NEW YORK

Alpro Service Co.
Maspeth 718-386-2515

Duffy's - AIS
Buffalo 716-884-7425

3Wire
Plattsburgh 800-634-5005

Duffy's - AIS
Sauquoit 800-836-1014

J.B. Brady, Inc.
Syracuse 315-422-9271

NORTH CAROLINA

Authorized Appliance
Charlotte 704-377-4501

OHIO

Akron/Canton Comm. Svc. Inc.
Akron 330-753-6634

Tech 24
Cincinnati 513-772-6600

Commercial Parts and Service
Columbus 614-221-0057

Electrical Appl. Repair Service
Brooklyn Heights 216-459-8700

E. A. Wichman Co.
Toledo 419-385-9121

OKLAHOMA

Hagar Rest. Service, Inc.
Oklahoma City 405-235-2184

OREGON

General Parts Group
Portland 503-624-0890

PENNSYLVANIA

Elmer Schultz Services
Philadelphia 215-627-5401

FAST Comm. Appl. Service
Philadelphia 215-288-4800

AIS Commercial Parts and Service
Pittsburgh 412-809-0244

K & D Service Co.
Harrisburg 717-236-9039

Electric Repair Co.
Reading 610-376-5444

RHODE ISLAND

Marshall Electric Co.
Providence 401-331-1163

SOUTH CAROLINA

Whaley Foodservice Repair
Lexington 803-996-9900

TENNESSEE

Camp Electric
Memphis 901-527-7543

TEXAS

Armstrong Repair Service
Houston 713-666-7100

Cooking Equipment Specialist
Mesquite 972-686-6666

Commercial Kitchen Repair Co.
San Antonio 210-735-2811

UTAH

La Monica's Rest. Equip. Service
Murray 801-263-3221

VIRGINIA

Daubers
Norfolk 757-855-4097

Daubers
Springfield 703-866-3600

WASHINGTON

3Wire
Seattle 800-207-3146

WISCONSIN

A.S.C., Inc.
Madison 608-246-3160

A.S.C., Inc.
Milwaukee 414-543-6460

CANADA

ALBERTA

Key Food Equipment Service
Edmonton 780-438-1690

BRITISH COLUMBIA

Key Food Equipment Service
Vancouver 604-433-4484

Key Food Equipment Service
Victoria 250-920-4888

MANITOBA

Air Rite, Inc.
Winnipeg 204-895-2300

NEW BRUNSWICK

EMR Services, Ltd.
Moncton 506-855-4228

ONTARIO

R.G. Henderson Ltd.
Toronto 416-422-5580

Choquette - CKS, Inc.
Ottawa 613-739-8458

QUÉBEC

Choquette - CKS, Inc.
Montreal 514-722-2000

Choquette - CKS, Inc.
Québec City 418-681-3944

UNITED KINGDOM

Marren Group
Northants +44(0)1933 665313

HATCO CORPORATION
P.O. Box 340500
Milwaukee, WI 53234-0500 U.S.A.
414-671-6350
partsandservice@hatcocorp.com
www.hatcocorp.com



24 Hour 7 Day Parts and Service
Assistance available in the United States
and Canada by calling 414-671-6350.