



# Flav-R-Savor<sup>®</sup>

## Convected Display Cabinets

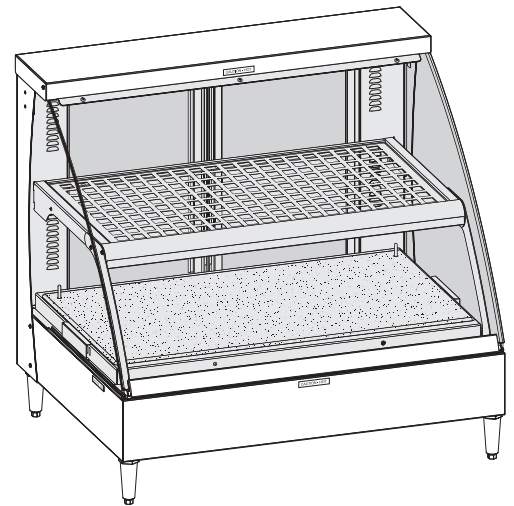
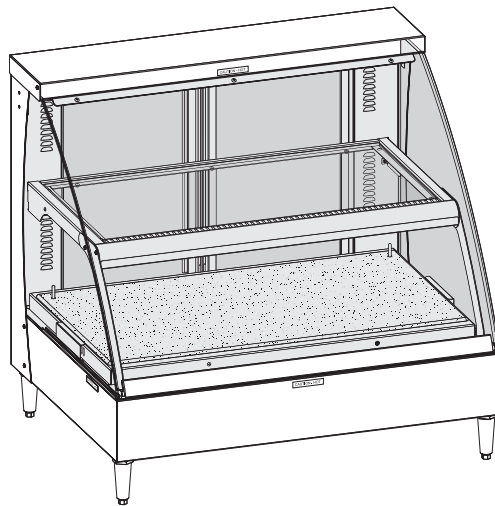
### *FSCD and FSCDH Series*

---

FSCD-2PD

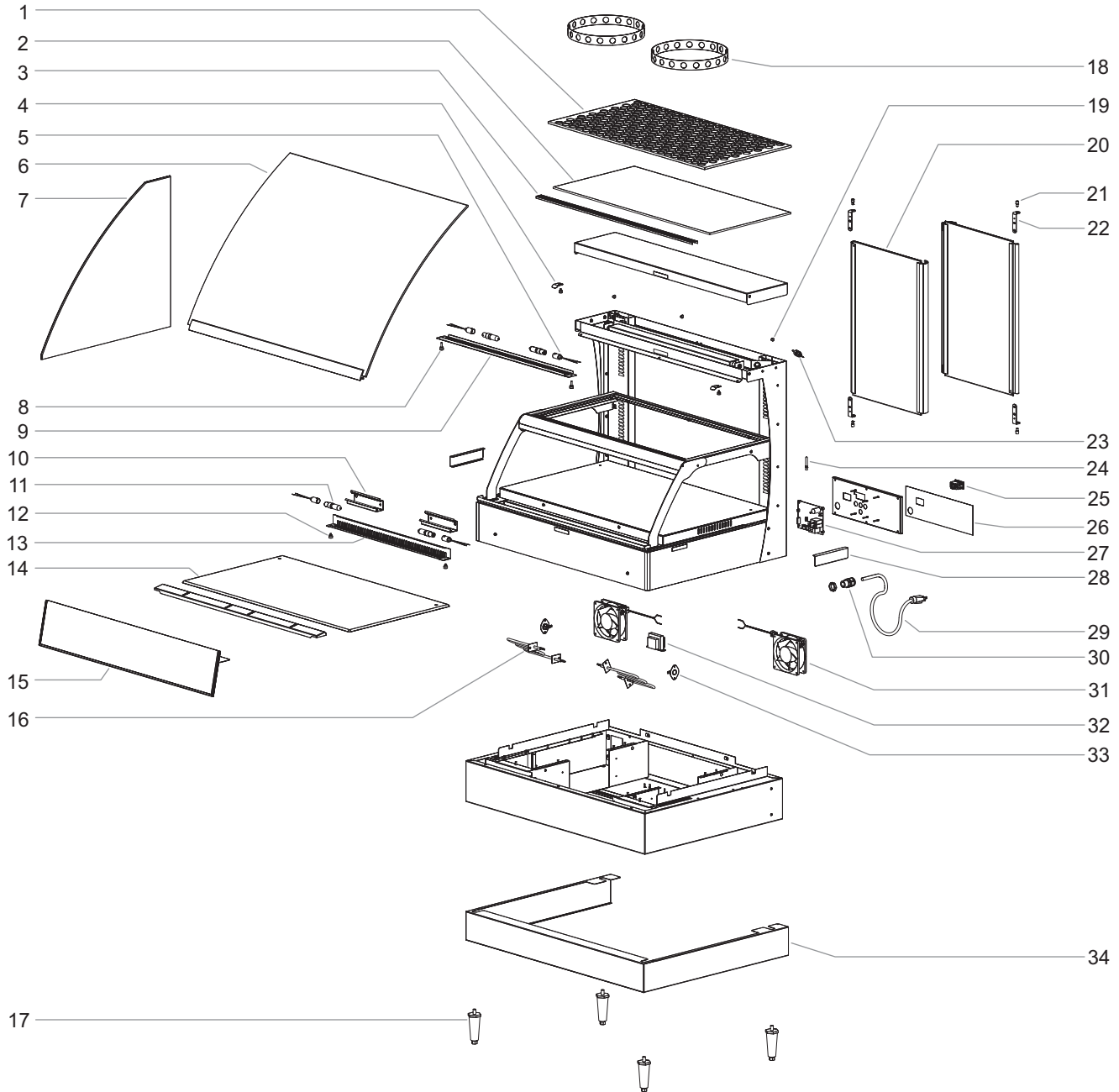
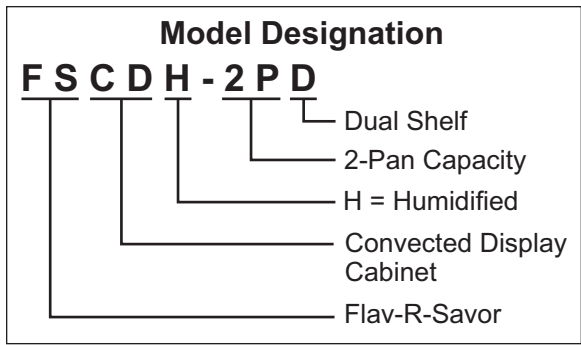
FSCDH-2PD

---



# Replacement Parts List

**FLAV-R-SAVOR® CONVECTED DISPLAY CABINETS**  
**FSCD and FSCDH Series**



24 Hour 7 Day Parts and Service Assistance available in the United States and Canada by calling (800) 558-0607.



**Use of replacement parts other than those supplied by Hatco Corporation may result in damage to unit or injury to personnel and will void all warranties.**

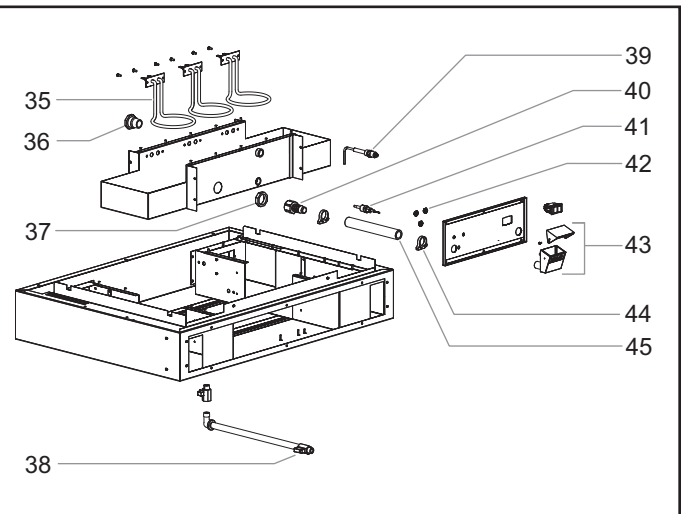
## PARTS COMMON TO ALL MODELS

Item	Description	Part Number	Qty.
1	Metal Shelf (standard)	04.22.754.00	1
2	Glass Shelf (optional)	04.40.398.00	1
3	Front Air Vent (optional)	04.22.728.00	1
4	Bracket, Glass Retainer	R04.22.785.00	2
5	Lamp Socket	02.30.169.00	4
6	Curved Glass Assembly	R04.40.323.00	1
7	Side Panel, Glass	04.40.298.00	2
8	Thumbscrew, 1/2"	05.04.219.00	2
9	Lamp Guard, Upper	04.22.639.00	1
10	Lamp Cover	04.22.636.00	1
11	Lamp, 50 W, 120 V	02.30.168.00	4
12	Thumbscrew, 3/16"	05.04.140.00	2
13	Lamp Guard, Lower	04.22.637.00	1
14	Stone Base Shelf, Night Sky	04.39.181.22	1
15	Sign Holder, Black	04.22.776.01	1
16	Coiled Element, 120V	R02.08.010A.00	2
17	Legs, 4"	05.30.007.00	4
18	Pan Riser (accessory)	04.22.791.00	2
19	Bumper, Rubber	04.17.688.00	11

Item	Description	Part Number	Qty.
20	Door Assembly, Black	R04.40.379.01	2
21	Hinge Pin	04.24.023.00	4
22	Hinge Mounting Bracket	04.24.020.00	4
23	Temperature Probe	02.01.203.00	1
24	Pin-Divider	05.04.150.00	2
25	Switch, Rocker, 125/250 V	02.19.015.00	1
26	Decal, Control Panel, Humidified	07.03.730.00	1
	Decal, Control Panel, Non-humidified	07.03.748.00	1
27	Thermostat	02.01.273.00	1
28	Air Baffle	04.22.713.00	2
29	Cord and Plug, Humidified	02.18.128.00	1
	Cord and Plug, Non-humidified	02.18.089.00	1
30	Cord Grip	02.20.259.00	1
31	Blower Motor, 120V, 60Hz	R02.12.001.00	2
32	Transformer, 120V	02.17.022.00	1
33	Thermostat Limit	02.16.161.00	2
34	Base Skirt, Black	04.22.796.01	1
	Wiring Diagram, Humidified	10-01-992	
	Wiring Diagram, Non-humidified	10-01-1018	

## PARTS SPECIFIC TO HUMIDIFIED MODELS

Item	Description	Part Number	Qty.
35	Water Element, 120 V, 325 W	R02.05.006.00	3
36	Fitting, 3/4" Bulkhead	03.40.022.00	1
37	Jam Nut, 3/4" Bulkhead	03.40.023.00	1
38	Valve, 3/8" Brass Ball	03.40.105.00	1
39	Probe, Low Water Cutoff	02.40.045.00	1
40	Hosebarb, 3/4 NPT	03.40.058.00	1
41	Probe, Temperature	02.01.204.00	1
42	Nut, 1/4"	05.04.324.00	3
43	Fill Cup Assembly	R05.30.050.00	1
44	Hose Clamp, Nylon	05.04.354.00	2
45	Tubing, 3/4" (7-1/2" length)	03.40.051.00	1



NOTE: The last four digits in a ten digit numerical serial number are the manufacturing date code.

Example: Serial number 9625060951 has a date code of "0951" which indicates the following: 0951

└─ Week Fifty-One  
└─ Year 2009

# HATCO AUTHORIZED PARTS DISTRIBUTORS

## ALABAMA

Jones McLeod Appl. Svc.  
Birmingham 205-251-0159

## ARIZONA

Service Solutions Group  
Phoenix 602-234-2443

Byassee Equipment Co.  
Phoenix 602-252-0402

## CALIFORNIA

Industrial Electric  
Commercial Parts & Service, Inc.  
Huntington Beach 714-379-7100

Chapman Appl. Service  
San Diego 619-298-7106

P & D Appliance  
Commercial Parts & Service, Inc.  
S. San Francisco 650-635-1900

## COLORADO

Hawkins Commercial Appliance  
Englewood 303-781-5548

## FLORIDA

Whaley Foodservice Repair  
Jacksonville 904-725-7800

3Wire Nass Service Co., Inc.  
Orlando 407-425-2681

B.G.S.I.  
Pompano Beach 954-971-0456

Comm. Appliance Service  
Tampa 813-663-0313

## GEORGIA

TWC Services  
Mableton 770-438-9797

Heritage Service Group  
Norcross 866-388-9837

Southeastern Rest. Svc.  
Norcross 770-446-6177

## HAWAII

Burney's Comm. Service, Inc.  
Honolulu 808-848-1466

Food Equip Parts & Service  
Honolulu 808-847-4871

## ILLINOIS

Parts Town  
Lombard 708-865-7278

Eichenauer Elec. Service  
Decatur 217-429-4229

Midwest Elec. Appl. Service  
Elmhurst 630-279-8000

Cone's Repair Service  
Moline 309-797-5323

## INDIANA

GCS Service  
Indianapolis 317-545-9655

## IOWA

Electric Motor Service Co.  
Davenport 319-323-1823

Goodwin Tucker Group  
Des Moines 515-262-9308

## KENTUCKY

Service Solutions Group  
Lexington 859-254-8854

Service Solutions Group  
Louisville 502-451-5411

## LOUISIANA

Chandlers Parts & Service  
Baton Rouge 225-272-6620

## MARYLAND

Electric Motor Service  
Baltimore 410-467-8080

GCS Service  
Silver Spring 301-585-7550

## MASSACHUSETTS

Ace Service Co., Inc.  
Needham 781-449-4220

## MICHIGAN

Bildons Appliance Service  
Detroit 248-478-3320

Commercial Kitchen Service  
Bay City 517-893-4561

Midwest Food Equip. Service  
Grandville 616-261-2000

## MINNESOTA

GCS Service  
Plymouth 800-345-4221

## MISSOURI

General Parts  
Kansas City 816-421-5400

Commercial Kitchen Services  
St. Louis 314-890-0700

Kaemmerlen Parts & Service  
St. Louis 314-535-2222

## NEBRASKA

Anderson Electric  
Omaha 402-341-1414

## NEVADA

Burney's Commercial  
Las Vegas 702-736-0006

Hi. Tech Commercial Service  
N. Las Vegas 702-649-4616

## NEW JERSEY

Jay Hill Repair  
Fairfield 973-575-9145

Service Plus  
Flanders 973-691-6300

## NEW YORK

Acme American Repairs, Inc.  
Brooklyn 718-456-6544

Alpro Service Co.  
Brooklyn 718-386-2515

Appliance Installation  
Buffalo 716-884-7425

Duffy's Equipment Services, Inc.  
Buffalo 800-836-1014

3Wire Northern  
Plattsburgh 800-634-5005

Duffy's Equipment Services, Inc.  
Sauquoit 800-836-1014

J.B. Brady, Inc.  
Syracuse 315-422-9271

## NORTH CAROLINA

Authorized Appliance  
Charlotte 704-377-4501

## OHIO

Akron/Canton Comm. Svc. Inc.  
Akron 330-753-6635

Service Solutions Group  
Cincinnati 513-772-6600

Commercial Parts and Service  
Columbus 614-221-0057

Electrical Appl. Repair Service  
Brooklyn Heights 216-459-8700

E. A. Wichman Co.  
Toledo 419-385-9121

## OKLAHOMA

Hagar Rest. Service, Inc.  
Oklahoma City 405-235-2184

Krueger, Inc.  
Oklahoma City 405-528-8883

## OREGON

Ron's Service, Inc.  
Portland 503-624-0890

## PENNSYLVANIA

Elmer Schultz Services  
Philadelphia 215-627-5401

FAST Comm. Appl. Service  
Philadelphia 215-288-4800

Appliance Installation & Service  
Pittsburgh 412-809-0244

K & D Service Co.  
Harrisburg 717-236-9039

Electric Repair Co.  
Reading 610-376-5444

## RHODE ISLAND

Marshall Electric Co.  
Providence 401-331-1163

## SOUTH CAROLINA

Whaley Foodservice Repair  
W. Columbia 803-791-4420

## TENNESSEE

Camp Electric  
Memphis 901-527-7543

## TEXAS

GCS Service  
Fort Worth 800-433-1804

Armstrong Repair Service  
Houston 713-666-7100

Cooking Equipment Specialist  
Mesquite 888-866-9276

Refrigerated Specialist, Inc.  
Mesquite 888-866-9276

Commercial Kitchen Repair Co.  
San Antonio 210-735-2811

## UTAH

La Monica's Rest. Equip. Service  
Murray 801-263-3221

## VIRGINIA

Daubers  
Norfolk 757-855-4097

Daubers  
Springfield 703-866-3600

## WASHINGTON

3Wire Restaurant Appliance  
Seattle 800-207-3146

## WISCONSIN

A.S.C., Inc.  
Madison 608-246-3160

A.S.C., Inc.  
Milwaukee 414-543-6460

## CANADA

### ALBERTA

Key Food Equipment Service  
Edmonton 780-438-1690

### BRITISH COLUMBIA

Key Food Equipment Service  
Vancouver 604-433-4484

Key Food Equipment Service  
Victoria 250-920-4888

### MANITOBA

Air Rite, Inc.  
Winnipeg 204-895-2300

### NEW BRUNSWICK

EMR Services, Ltd.  
Moncton 506-855-4228

### ONTARIO

R.G. Henderson Ltd.  
Toronto 416-422-5580

Choquette - CKS, Inc.  
Ottawa 613-739-8458

### QUÉBEC

Choquette - CKS, Inc.  
Montreal 514-722-2000

Choquette - CKS, Inc.  
Québec City 418-681-3944

## UNITED KINGDOM

Marren Group  
Northants +44(0)1933 665313

HATCO CORPORATION  
P.O. Box 340500  
Milwaukee, WI 53234-0500 U.S.A.  
Telephone (414) 671-6350  
International Fax (414) 671-3976  
partsandservice@hatcocorp.com  
www.hatcocorp.com

**Register your unit online!**  
See IMPORTANT OWNER INFORMATION  
section for details.