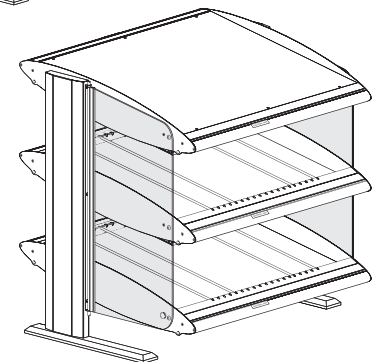
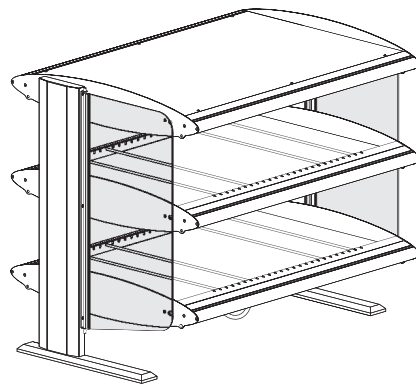
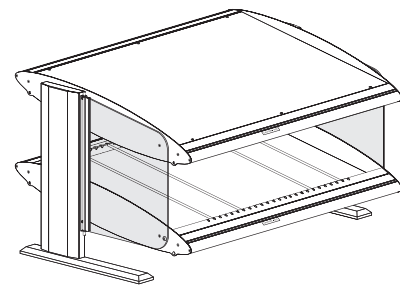
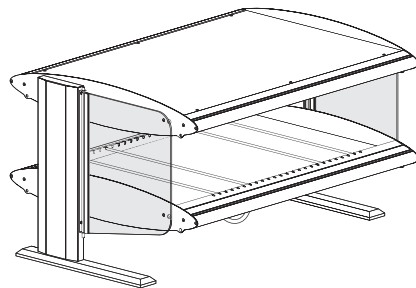




Heated Merchandisers

HXMH and HXMS Series

HXMH-24	HXMH-24D	HXMS-24	HXMS-24D
HXMH-30	HXMH-30D	HXMS-30	HXMS-30D
HXMH-36	HXMH-36D	HXMS-36	HXMS-36D
HXMH-42	HXMH-42D	HXMS-42	HXMS-42D
HXMH-48	HXMH-48D	HXMS-48	HXMS-48D
HXMH-54	HXMH-54D	HXMS-54	HXMS-54D
HXMH-60	HXMH-60D	HXMS-60	HXMS-60D



Replacement Parts List

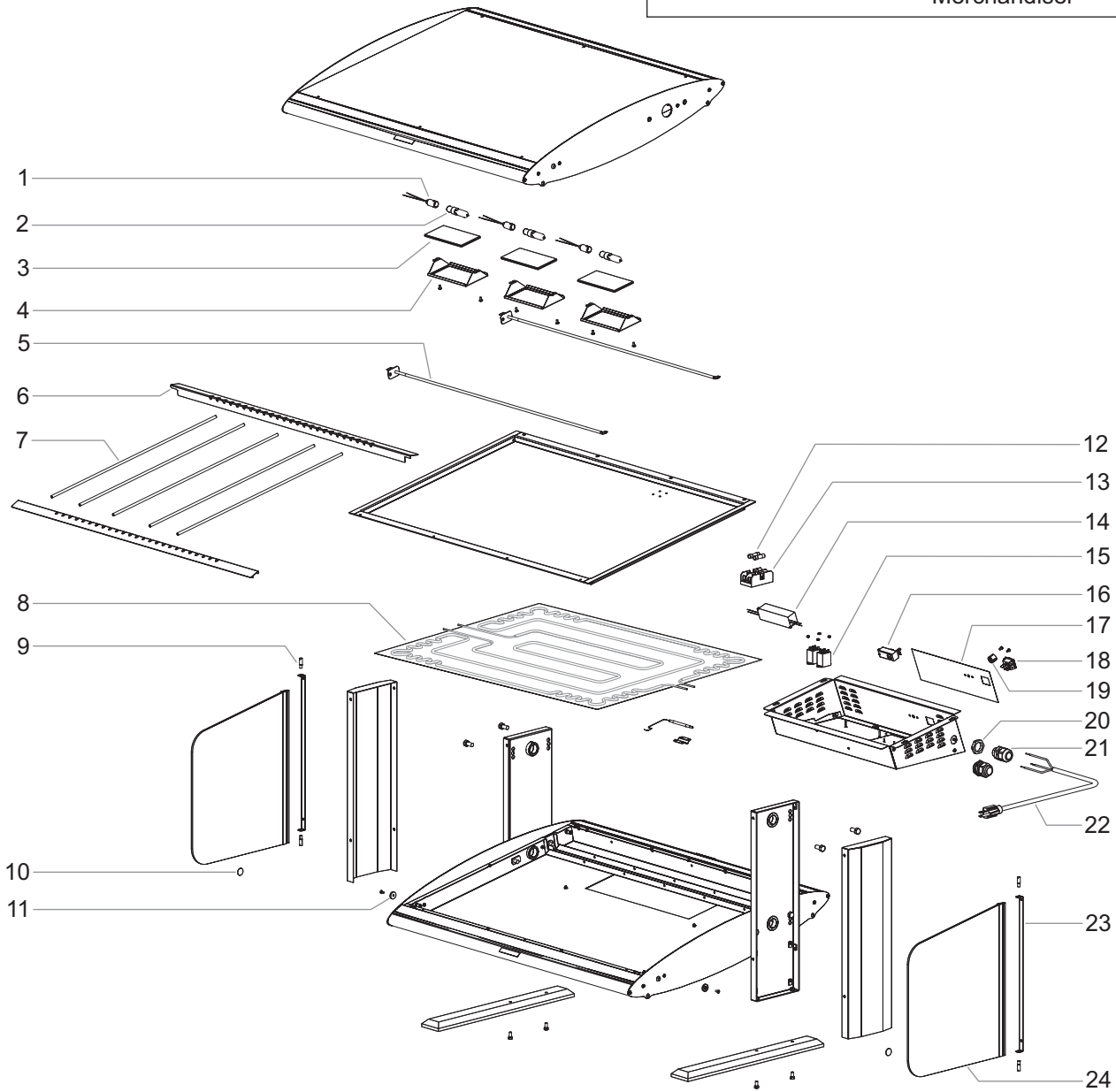
HEATED MERCHANDISERS

HXMH and HXMS Series

Model Designation

H X M X - X X D

- None = Single Shelf
- D = Dual Shelf
- Heated Width of Unit (inches)
- H = Horizontal Shelf
- S = Slanted Shelf
- Heated Xenon Merchandiser



24 Hour 7 Day Parts and Service Assistance available in the United States and Canada by calling 800-558-0607.



Use of replacement parts other than those supplied by Hatco Corporation may result in damage to unit or injury to personnel and will void all warranties.

PARTS COMMON TO ALL HXMH AND HXMS MODELS

Item	Description	Part Number	Qty.
1	Base, Xenon	02.30.169.00	3-6
2	Lamp, Xenon	02.30.171.00	3-6
3	Cover Shield, Glass	04.40.340.00	3-6
4	Cover, Light	04.41.036.00	3-6
5	Element, Overhead		
	24" Width	R02.08.662D.00	2-4
	30" Width	R02.08.663D.00	2-4
	36" Width	R02.08.664D.00	2-4
	42" Width	R02.08.665D.00	2-4
	48" Width	R02.08.666D.00	2-4
	54" Width	R02.08.667D.00	2-4
	60" Width	R02.08.668D.00	2-4
6	Bracket, Divider Rod		
	24" Width	04.38.708.00	2-4
	30" Width	04.38.709.00	2-4
	36" Width	04.38.681.00	2-4
	42" Width	04.38.710.00	2-4
	48" Width	04.38.711.00	2-4
	54" Width	04.38.712.00	2-4
	60" Width	04.38.713.00	2-4
7	Divider Rods	04.38.582.00	5-24
8	Element, Blanket		
	24" Width	02.05.326.00	1-2
	30" Width	02.05.327.00	1-2
	36" Width	02.05.328.00	1-2
	42" Width	02.05.329.00	1-2
	48" Width	02.05.330.00	1-2
	54" Width	02.05.331.00	1-2
	60" Width	02.05.332.00	1-2

Item	Description	Part Number	Qty.
9	Pin, Door Hinge	05.04.688.00	4
10	Door Catch, Disc	R04.38.617.00	2
11	Disc Magnet	05.30.176.00	2
12	Fuse, 15 A (54" and 60" models only)	R02.03.052.02	2
13	Fuse Block (54" and 60" models only)	02.03.022.00	1
14	LED Driver (for optional LED lighting)	02.12.345.00	1
15	Relay	02.01.236.00	2
16	Thermostat	R02.16.039.00	1-2
17	Label, Control Panel		
	Single Shelf	07.03.800.00	1
	Dual Shelf	07.03.795.00	1
18	Rocker Switch	02.19.075.00	1-2
19	Knob, Thermostat	05.30.039.00	1-2
20	Nut, Cord Grip, 24" to 48" Width	02.20.440A.00	1
21	Cord Grip		
	24" to 48" Width	02.20.440.00	1
	54" to 60" Width	02.20.290.00	1
	Wiring Diagrams		
	Single Shelf Models	10-01-1120	
	Dual Shelf Models	10-01-1113	

NOTE: Quantities shown as a range (example = "2-4") are dependent upon the number of shelves or width of a unit.

PARTS SPECIFIC TO HXMH AND HXMS SINGLE SHELF MODELS

Item	Description	Part Number	Qty.
22	Power Cord, Single Shelf		
	24" to 36", NEMA 5-15P	R02.18.030.00	1
	42" to 48" Width, NEMA 5-20P	02.18.089.00	1
	54" to 60" Width, NEMA 5-30P	02.18.023.00	1
23	Hinge, Door		
	Black	04.38.612.01	2
	Gray Granite	04.38.612.02	2
	Warm Red	04.38.612.03	2
	White Granite	04.38.612.04	2
	Navy Blue	04.38.612.05	2
	Hunter Green	04.38.612.07	2
	Bold Black	04.38.612.09	2
	Glossy Gray	04.38.612.12	2
	Antique Copper	04.38.612.21	2

Item	Description	Part Number	Qty.
24	Glass Door		
	Black	R04.40.405.01	2
	Gray Granite	R04.40.405.02	2
	Warm Red	R04.40.405.03	2
	White Granite	R04.40.405.04	2
	Navy Blue	R04.40.405.05	2
	Hunter Green	R04.40.405.07	2
	Bold Black	R04.40.405.09	2
	Glossy Gray	R04.40.405.12	2
	Antique Copper	R04.40.405.21	2

NOTE: The last four digits in a ten digit numerical serial number are the manufacturing date code.

Example: Serial number 9625061151 has a date code of "1151" which indicates the following: 1151

└─ Week Fifty-One
└─ Year 2011

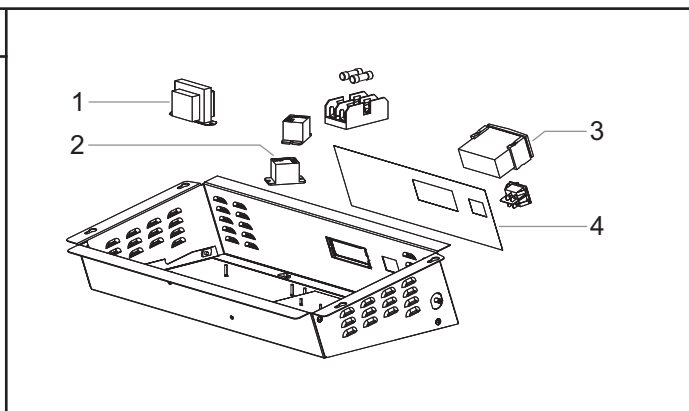
PARTS SPECIFIC TO HXMH AND HXMS DUAL SHELF MODELS

Item	Description	Part No.	Qty.
22	Power Cord, Dual Shelf		
	24", NEMA 5-20P	02.18.089.00	1
	30" to 48" Width, NEMA L14-20P	02.18.128.00	1
	54" to 60" Width, NEMA L14-30P	02.18.309.00	1
23	Hinge, Door		
	Black	04.38.492.01	2
	Gray Granite	04.38.492.02	2
	Warm Red	04.38.492.03	2
	White Granite	04.38.492.04	2
	Navy Blue	04.38.492.05	2
	Hunter Green	04.38.492.07	2
	Bold Black	04.38.492.09	2
	Glossy Gray	04.38.492.12	2
	Antique Copper	04.38.492.21	2

Item	Description	Part No.	Qty.
24	Glass Door		
	Black	R04.40.388.01	2
	Gray Granite	R04.40.388.02	2
	Warm Red	R04.40.388.03	2
	White Granite	R04.40.388.04	2
	Navy Blue	R04.40.388.05	2
	Hunter Green	R04.40.388.07	2
	Bold Black	R04.40.388.09	2
	Glossy Gray	R04.40.388.12	2
	Antique Copper	R04.40.388.21	2

PARTS COMMON TO ALL HXMH AND HXMS MODELS—ELECTRONIC CONTROL

Item	Description	Part Number	Qty.
1	Transformer, 24 V	02.17.022.00	1-2
2	Relay	R02.01.050.00	2-4
3	Controller, Electronic	R02.01.259.00	1-2
4	Label, Control Panel		
	Single Shelf Models	07.03.801.00	1
	Dual Shelf Models	07.03.799.00	1
Wiring Diagrams (Electronic Control)			
	Single Shelf Models	10-01-1119	
	Dual Shelf Models	10-01-1118	



NOTE: Quantities shown as a range (example = "2-4") are dependent upon the number of shelves or width of a unit.

NOTE: The last four digits in a ten digit numerical serial number are the manufacturing date code.

Example: Serial number 9625061151 has a date code of "1151" which indicates the following: 1151

└─ Week Fifty-One
└─ Year 2011



HATCO AUTHORIZED PARTS DISTRIBUTORS

ALABAMA

Jones McLeod Appl. Svc.
Birmingham 205-251-0159

ARIZONA

Service Solutions Group
Phoenix 602-234-2443

Byassee Equipment Co.
Phoenix 602-252-0402

CALIFORNIA

Industrial Electric
Commercial Parts & Service, Inc.
Huntington Beach 714-379-7100

Chapman Appl. Service
San Diego 619-298-7106

P & D Appliance
Commercial Parts & Service, Inc.
S. San Francisco 650-635-1900

COLORADO

Hawkins Commercial Appliance
Englewood 303-781-5548

FLORIDA

Whaley Foodservice Repair
Jacksonville 904-725-7800

3Wire Nass Service Co., Inc.
Orlando 407-425-2681

B.G.S.I.
Pompano Beach 954-971-0456

Comm. Appliance Service
Tampa 813-663-0313

GEORGIA

TWC Services
Mableton 770-438-9797

Heritage Service Group
Norcross 866-388-9837

Southeastern Rest. Svc.
Norcross 770-446-6177

HAWAII

Burney's Comm. Service, Inc.
Honolulu 808-848-1466

Food Equip Parts & Service
Honolulu 808-847-4871

ILLINOIS

Parts Town
Lombard 708-865-7278

Eichenauer Elec. Service
Decatur 217-429-4229

Midwest Elec. Appl. Service
Elmhurst 630-279-8000

Cone's Repair Service
Moline 309-797-5323

INDIANA

GCS Service
Indianapolis 317-545-9655

IOWA

Electric Motor Service Co.
Davenport 319-323-1823

Goodwin Tucker Group
Des Moines 515-262-9308

KENTUCKY

Service Solutions Group
Lexington 859-254-8854

Service Solutions Group
Louisville 502-451-5411

LOUISIANA

Chandlers Parts & Service
Baton Rouge 225-272-6620

MARYLAND

Electric Motor Service
Baltimore 410-467-8080

GCS Service
Silver Spring 301-585-7550

MASSACHUSETTS

Ace Service Co., Inc.
Needham 781-449-4220

MICHIGAN

Bildons Appliance Service
Detroit 248-478-3320

Commercial Kitchen Service
Bay City 517-893-4561

Midwest Food Equip. Service
Grandville 616-261-2000

MINNESOTA

GCS Service
Plymouth 800-345-4221

MISSOURI

General Parts
Kansas City 816-421-5400

Commercial Kitchen Services
St. Louis 314-890-0700

Kaemmerlen Parts & Service
St. Louis 314-535-2222

NEBRASKA

Anderson Electric
Omaha 402-341-1414

NEVADA

Burney's Commercial
Las Vegas 702-736-0006

Hi. Tech Commercial Service
N. Las Vegas 702-649-4616

NEW JERSEY

Jay Hill Repair
Fairfield 973-575-9145

Service Plus
Flanders 973-691-6300

NEW YORK

Acme American Repairs, Inc.
Brooklyn 718-456-6544

Alpro Service Co.
Brooklyn 718-386-2515

Appliance Installation
Buffalo 716-884-7425

Duffy's Equipment Services, Inc.
Buffalo 800-836-1014

3Wire Northern
Plattsburgh 800-634-5005

Duffy's Equipment Services, Inc.
Sauquoit 800-836-1014

J.B. Brady, Inc.
Syracuse 315-422-9271

NORTH CAROLINA

Authorized Appliance
Charlotte 704-377-4501

OHIO

Akron/Canton Comm. Svc. Inc.
Akron 330-753-6635

Service Solutions Group
Cincinnati 513-772-6600

Commercial Parts and Service
Columbus 614-221-0057

Electrical Appl. Repair Service
Brooklyn Heights 216-459-8700

E. A. Wichman Co.
Toledo 419-385-9121

OKLAHOMA

Hagar Rest. Service, Inc.
Oklahoma City 405-235-2184

Krueger, Inc.
Oklahoma City 405-528-8883

OREGON

Ron's Service, Inc.
Portland 503-624-0890

PENNSYLVANIA

Elmer Schultz Services
Philadelphia 215-627-5401

FAST Comm. Appl. Service
Philadelphia 215-288-4800

Appliance Installation & Service
Pittsburgh 412-809-0244

K & D Service Co.
Harrisburg 717-236-9039

Electric Repair Co.
Reading 610-376-5444

RHODE ISLAND

Marshall Electric Co.
Providence 401-331-1163

SOUTH CAROLINA

Whaley Foodservice Repair
W. Columbia 803-791-4420

TENNESSEE

Camp Electric
Memphis 901-527-7543

TEXAS

GCS Service
Fort Worth 800-433-1804

Armstrong Repair Service
Houston 713-666-7100

Cooking Equipment Specialist
Mesquite 888-866-9276

Refrigerated Specialist, Inc.
Mesquite 888-866-9276

Commercial Kitchen Repair Co.
San Antonio 210-735-2811

UTAH

La Monica's Rest. Equip. Service
Murray 801-263-3221

VIRGINIA

Daubers
Norfolk 757-855-4097

Daubers
Springfield 703-866-3600

WASHINGTON

3Wire Restaurant Appliance
Seattle 800-207-3146

WISCONSIN

A.S.C., Inc.
Madison 608-246-3160

A.S.C., Inc.
Milwaukee 414-543-6460

CANADA

ALBERTA

Key Food Equipment Service
Edmonton 780-438-1690

BRITISH COLUMBIA

Key Food Equipment Service
Vancouver 604-433-4484

Key Food Equipment Service
Victoria 250-920-4888

MANITOBA

Air Rite, Inc.
Winnipeg 204-895-2300

NEW BRUNSWICK

EMR Services, Ltd.
Moncton 506-855-4228

ONTARIO

R.G. Henderson Ltd.
Toronto 416-422-5580

Choquette - CKS, Inc.
Ottawa 613-739-8458

QUÉBEC

Choquette - CKS, Inc.
Montreal 514-722-2000

Choquette - CKS, Inc.
Québec City 418-681-3944

UNITED KINGDOM

Marren Group
Northants +44(0)1933 665313

HATCO CORPORATION
P.O. Box 340500
Milwaukee, WI 53234-0500 U.S.A.
800-558-0607 414-671-6350
Parts and Service Fax 800-690-2966
International Fax 414-671-3976
partsandservice@hatcocorp.com
www.hatcocorp.com