



# SERV-RITE®

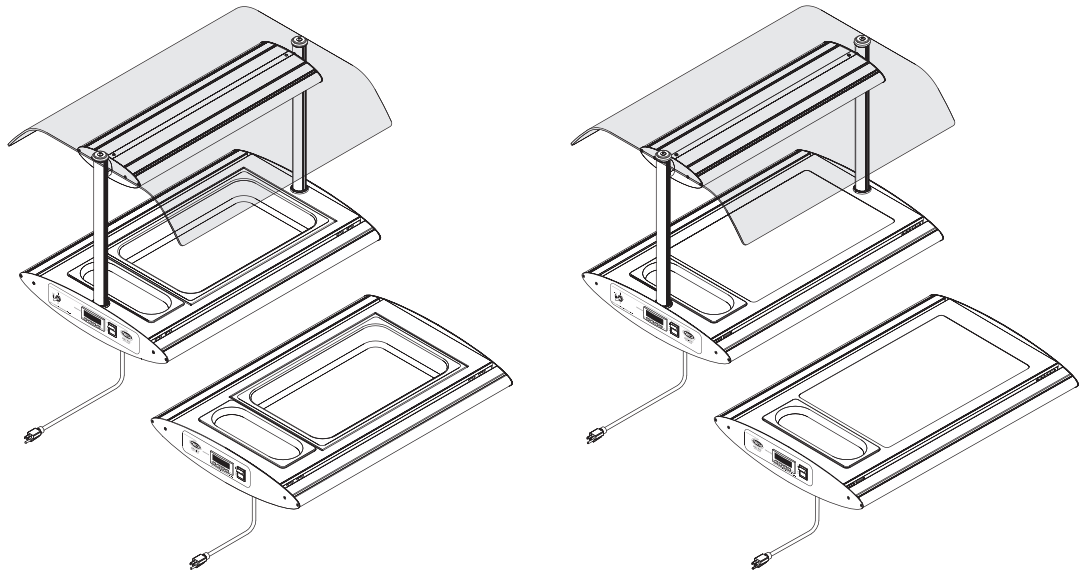
## Portable Shelves and Buffet Warmers

### *SR Series*

---

SRB	SRG	SRSS
SRBW	SRGBW	SRSSBW

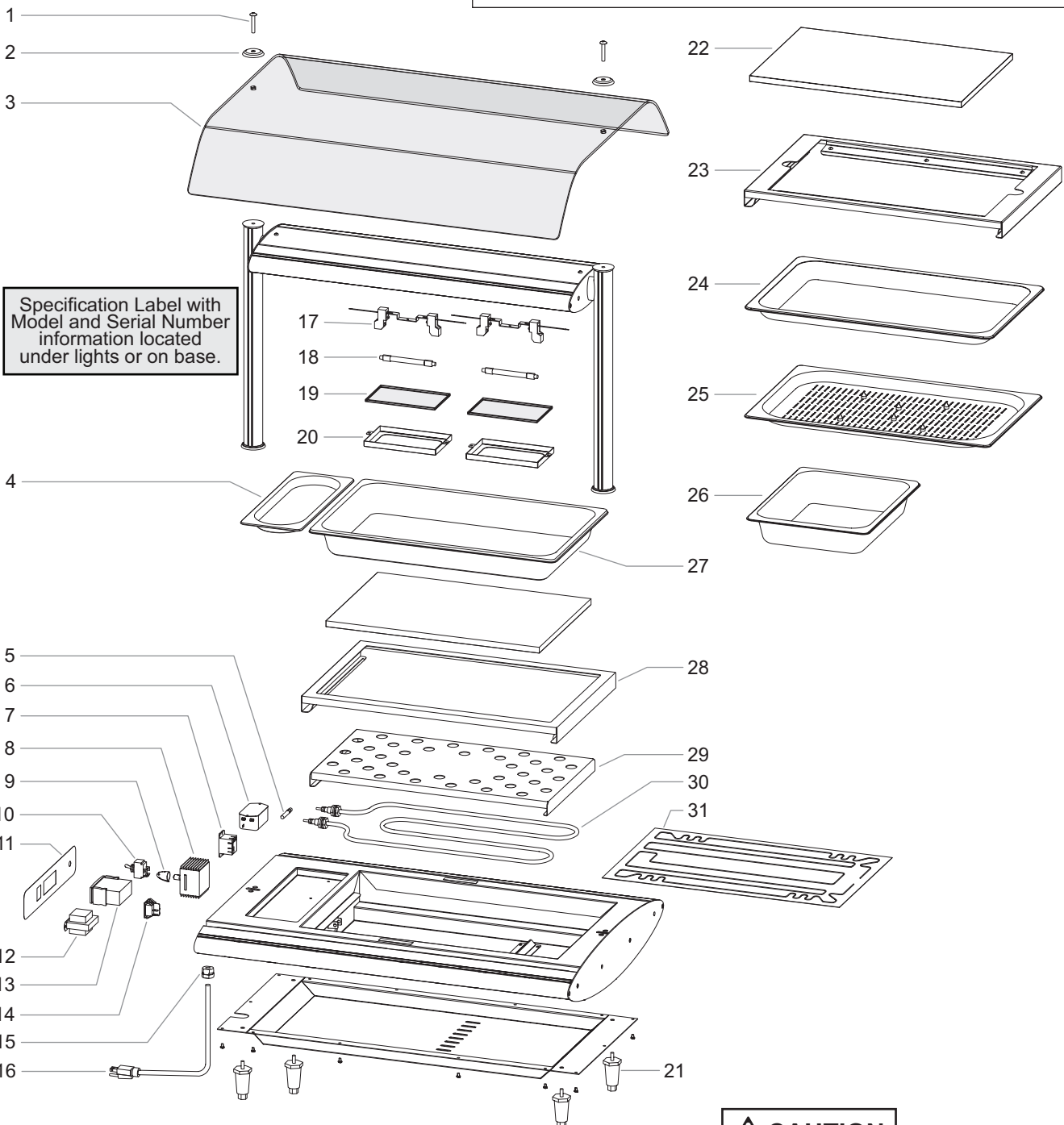
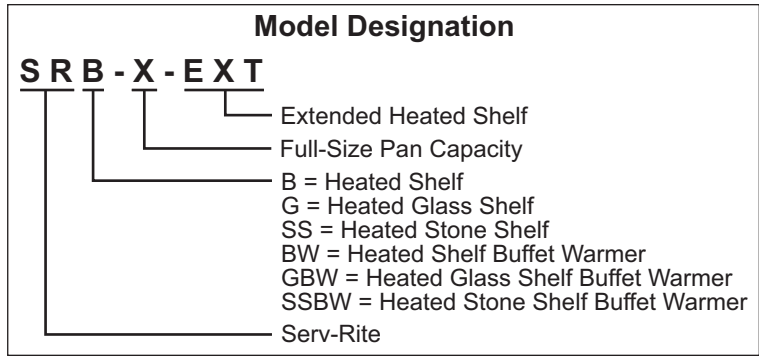
---



## Replacement Parts List

# SERV-RITE® PORTABLE SHELVES AND BUFFET WARMERS

## SR Series



**CAUTION**



24 Hour 7 Day Parts and Service Assistance available in the United States and Canada by calling 800-558-0607.

Use of replacement parts other than those supplied by Hatco Corporation may result in damage to unit or injury to personnel and will void all warranties.

## PARTS COMMON TO ALL SR MODELS

Item Description	Part No.	Qty.
1 Screw, Sneeze Guard *	05.04.569.00	2
2 Collar Post *	05.06.098.00	4
3 Sneeze Guards *		
Single Sided, Clear	04.40.328.00	1
Single Sided, Smoked	04.40.369.00	1
Dual Sided, Clear	04.40.308.00	1
Dual Sided, Smoked	04.40.368.00	1
4 Utensil Tray	04.46.031.00	1
5 Temperature Probe	02.01.261.00	1
6 Filter, Electronic Noise, 230 V	02.13.336.00	1
7 Relay	R02.01.050.00	1
8 Switch, Dimmer * (optional)		
120 V	02.19.194.00	1
230 V	02.19.206.00	1
9 Knob, Dimmer * (optional)	05.30.126.00	1
10 Switch, Toggle * (standard)	R02.19.008A.00	1
11 Graphic Overlay *		
Toggle Switch	07.03.703.00	1
Dimmer Switch	07.03.708.00	1
12 Transformer		
120 V	02.17.022.00	1
230 V	02.17.023.00	1
13 Thermostat, Electronic	R02.01.259.00	1
14 Power Switch		
120 V	02.19.075.00	1
230 V	02.19.076.00	1
15 Cord Grip		
120 V	02.20.226.00	1
230 V	02.20.212.00	1

Item Description	Part No.	Qty.
16 Power Cord		
NEMA 5-15P	R02.18.154.00	1
CEE 7/7 Schuko	02.18.077.00	1
BS-1363	02.18.068.00	1
AS 3112	02.18.104.00	1
17 Lamp Holder *	02.30.140.00	2
18 Lamp *		
120 V, 150 W	02.30.150.00	2
120 V, 300 W	R02.30.117.00	2
230 V, 150 W	02.30.151.00	2
230 V, 300 W	02.30.126.00	2
19 Lamp Shield, Glass *	04.40.318.00	2
20 Cover, Lamp *	04.46.037.00	2
21 Leg, 2-1/2"	05.30.204.00	4
Wiring Diagrams		
SRB, 120 V	10-01-696	
SRBW, 120 V, Toggle Switch	10-01-930	
SRBW, 120 V, Dimmer Switch	10-01-697	
SRG and SRSS, 120 V	10-01-692	
SRGBW and SRSSBW, 120 V, Toggle Switch	10-01-929	
SRGBW and SRSSBW, 120 V, Dimmer Switch	10-01-693	
SRB, 230 V	10-01-752	
SRBW, 230 V, Toggle Switch	10-01-932	
SRBW, 230 V, Dimmer Switch	10-01-753	
SRG and SRSS, 230 V	10-01-750	
SRGBW and SRSSBW, 230 V, Toggle Switch	10-01-931	
SRGBW and SRSSBW, 230 V, Dimmer Switch	10-01-751	

### Parts Specific to SRB and SRBW Models

Item Description	Part No.	Qty.
22 Cutting Board (accessory)	04.46.045.00	1
23 Cutting Board Holder (accessory)	04.46.038.00	1
24 Pan, Container (accessory)	04.46.032.00	1
25 Pan, Carving (accessory)	04.46.033.00	1
26 Pan, Half-Size (accessory)	04.09.210.00	2
27 Pan, Full Size	04.09.205.00	1
28 Tray Holder, Carving Pan	04.46.017.00	1
29 Cover, Element	04.46.003.00	1
30 Heating Element, Air		
120 V	02.08.626.00	1
230 V	02.08.631.00	1

### Parts Specific to SRG, SRGBW, SRSS, and SRSSBW Models

Item Description	Part No.	Qty.
31 Heating Element, Blanket		
Standard Base, 120 V	02.05.643.00	1
Standard Base, 230 V	02.05.673.00	1
Extended Base, 120 V	02.05.739.00	1
Extended Base, 230 V	02.05.744.00	1
32 Scrubbing Pad (not shown, for Heated Stone only)	04.39.049.00	1

The shaded areas contain information for **International models only**.

\* Only available for Buffet Warmer models.

*NOTE: The last four digits in a ten digit numerical serial number are the manufacturing date code.*

*Example: Serial number 9625061151 has a date code of "1151" which indicates the following:*

1151  
 └── Week Fifty-One  
 └── Year 2011

# AUTHORIZED PARTS DISTRIBUTORS • AUTORISÉS DISTRIBUTEURS DE PIÈCES

## ALABAMA

Jones McLeod Appl. Svc.  
Birmingham 205-251-0159

## ARIZONA

Service Solutions Group  
Phoenix 602-234-2443

Byassee Equipment Co.  
Phoenix 602-252-0402

## CALIFORNIA

Industrial Electric  
Commercial Parts & Service, Inc.  
Huntington Beach 714-379-7100

Chapman Appl. Service  
San Diego 619-298-7106

P & D Appliance  
Commercial Parts & Service, Inc.  
S. San Francisco 650-635-1900

## COLORADO

Hawkins Commercial Appliance  
Englewood 303-781-5548

## FLORIDA

Whaley Foodservice Repair  
Jacksonville 904-725-7800

3Wire Nass Service Co., Inc.  
Orlando 407-425-2681

B.G.S.I.  
Pompano Beach 954-971-0456

Comm. Appliance Service  
Tampa 813-663-0313

## GEORGIA

TWC Services  
Mableton 770-438-9797

Heritage Service Group  
Norcross 866-388-9837

Southeastern Rest. Svc.  
Norcross 770-446-6177

## HAWAII

Burney's Comm. Service, Inc.  
Honolulu 808-848-1466

Food Equip Parts & Service  
Honolulu 808-847-4871

## ILLINOIS

Parts Town  
Lombard 708-865-7278

Eichenauer Elec. Service  
Decatur 217-429-4229

Midwest Elec. Appl. Service  
Elmhurst 630-279-8000

Cone's Repair Service  
Moline 309-797-5323

## INDIANA

GCS Service  
Indianapolis 317-545-9655

## IOWA

Goodwin Tucker Group  
Des Moines 515-262-9308

## KENTUCKY

Service Solutions Group  
Lexington 859-254-8854

Service Solutions Group  
Louisville 502-451-5411

## LOUISIANA

Chandlers Parts & Service  
Baton Rouge 225-272-6620

## MARYLAND

Electric Motor Service  
Baltimore 410-467-8080

GCS Service  
Silver Spring 301-585-7550

## MASSACHUSETTS

Ace Service Co., Inc.  
Needham 781-449-4220

## MICHIGAN

Bildons Appliance Service  
Detroit 248-478-3320

Commercial Kitchen Service  
Bay City 517-893-4561

Midwest Food Equip. Service  
Grandville 616-261-2000

## MINNESOTA

GCS Service  
Plymouth 800-345-4221

## MISSOURI

General Parts  
Kansas City 816-421-5400

Commercial Kitchen Services  
St. Louis 314-890-0700

Kaemmerlen Parts & Service  
St. Louis 314-535-2222

## NEBRASKA

Anderson Electric  
Omaha 402-341-1414

## NEVADA

Burney's Commercial  
Las Vegas 702-736-0006

Hi. Tech Commercial Service  
N. Las Vegas 702-649-4616

## NEW JERSEY

Jay Hill Repair  
Fairfield 973-575-9145

Service Plus  
Flanders 973-691-6300

## NEW YORK

Acme American Repairs, Inc.  
Brooklyn 718-456-6544

Alpro Service Co.  
Brooklyn 718-386-2515

Appliance Installation  
Buffalo 716-884-7425

Duffy's Equipment Services, Inc.  
Buffalo 800-836-1014

3Wire Northern  
Plattsburgh 800-634-5005

Duffy's Equipment Services, Inc.  
Sauquoit 800-836-1014

J.B. Brady, Inc.  
Syracuse 315-422-9271

## NORTH CAROLINA

Authorized Appliance  
Charlotte 704-377-4501

## OHIO

Akron/Canton Comm. Svc. Inc.  
Akron 330-753-6635

Service Solutions Group  
Cincinnati 513-772-6600

Commercial Parts and Service  
Columbus 614-221-0057

Electrical Appl. Repair Service  
Brooklyn Heights 216-459-8700

E. A. Wichman Co.  
Toledo 419-385-9121

## OKLAHOMA

Hagar Rest. Service, Inc.  
Oklahoma City 405-235-2184

Krueger, Inc.  
Oklahoma City 405-528-8883

## OREGON

Ron's Service, Inc.  
Portland 503-624-0890

## PENNSYLVANIA

Elmer Schultz Services  
Philadelphia 215-627-5401

FAST Comm. Appl. Service  
Philadelphia 215-288-4800

Appliance Installation & Service  
Pittsburgh 412-809-0244

K & D Service Co.  
Harrisburg 717-236-9039

Electric Repair Co.  
Reading 610-376-5444

## RHODE ISLAND

Marshall Electric Co.  
Providence 401-331-1163

## SOUTH CAROLINA

Whaley Foodservice Repair  
W. Columbia 803-791-4420

## TENNESSEE

Camp Electric  
Memphis 901-527-7543

## TEXAS

GCS Service  
Fort Worth 800-433-1804

Armstrong Repair Service  
Houston 713-666-7100

Cooking Equipment Specialist  
Mesquite 888-866-9276

Refrigerated Specialist, Inc.  
Mesquite 888-866-9276

Commercial Kitchen Repair Co.  
San Antonio 210-735-2811

## UTAH

La Monica's Rest. Equip. Service  
Murray 801-263-3221

## VIRGINIA

Daubers  
Norfolk 757-855-4097

Daubers  
Springfield 703-866-3600

## WASHINGTON

3Wire Restaurant Appliance  
Seattle 800-207-3146

## WISCONSIN

A.S.C., Inc.  
Madison 608-246-3160

A.S.C., Inc.  
Milwaukee 414-543-6460

## CANADA

### ALBERTA

Key Food Equipment Service  
Edmonton 780-438-1690

### BRITISH COLUMBIA

Key Food Equipment Service  
Vancouver 604-433-4484

Key Food Equipment Service  
Victoria 250-920-4888

### MANITOBA

Air Rite, Inc.  
Winnipeg 204-895-2300

### NEW BRUNSWICK

EMR Services, Ltd.  
Moncton 506-855-4228

### ONTARIO

R.G. Henderson Ltd.  
Toronto 416-422-5580

Choquette - CKS, Inc.  
Ottawa 613-739-8458

### QUÉBEC

Choquette - CKS, Inc.  
Montreal 514-722-2000

Choquette - CKS, Inc.  
Québec City 418-681-3944

## UNITED KINGDOM

Marren Group  
Northants +44(0)1933 665313

**HATCO CORPORATION**  
P.O. Box 340500  
Milwaukee, WI 53234-0500 U.S.A.  
800-558-0607 / 414-671-6350  
Parts and Service Fax 800-690-2966  
International Fax 414-671-3976  
partsandservice@hatcocorp.com  
www.hatcocorp.com