



Project _____
 Item # _____
 Quantity _____

Serv-Rite® Portable Buffet Warmers

Models: SRB-1, SRBW-1; SRG-1, SRGBW-1;
 SRSS-1, SRSSBW-1

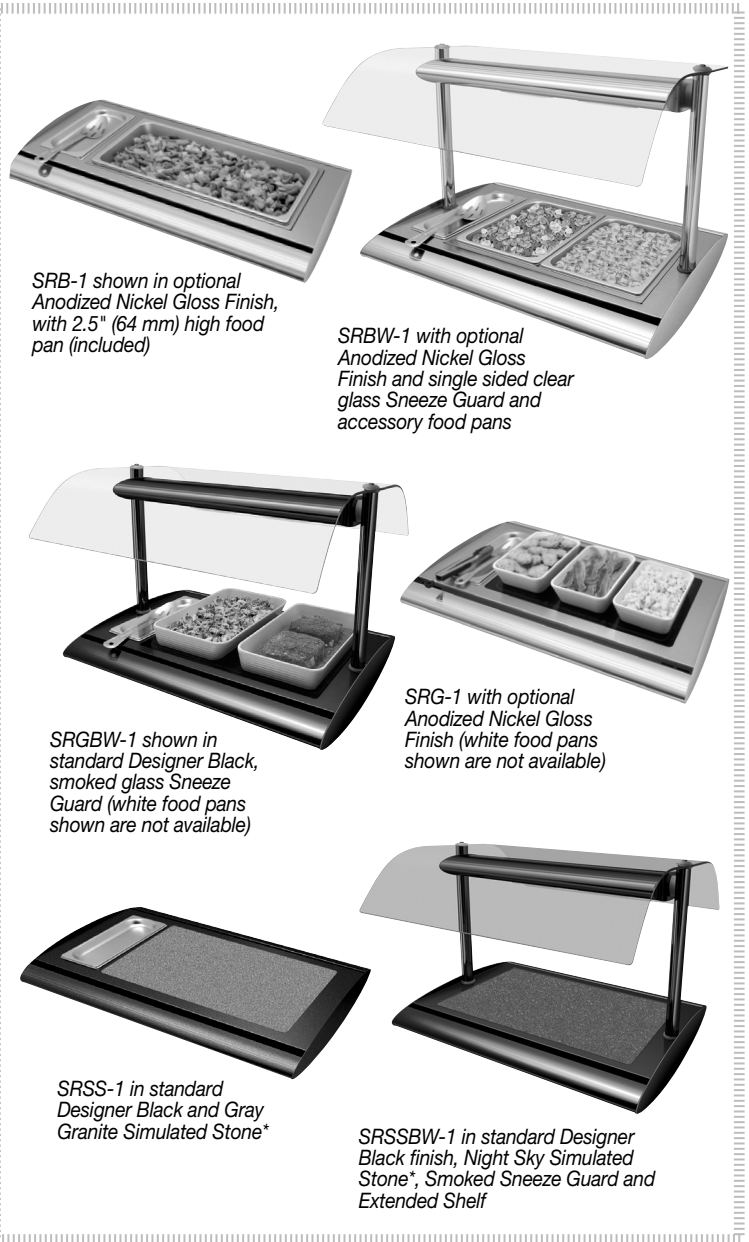
The Hatco Serv-Rite® Portable Buffet Warmers are designed to keep prepared foods at optimum serving temperatures without affecting quality. Ideal for use in buffet lines and as hors d'oeuvre displays for self-serve areas. These unique elliptical foodwarmers are available with or without overhead halogen heat lamps and glass sneeze guards.

Standard features

- Base is thermostatically controlled with digital temperature indicating display
- Temperature range is 100° - 200° F (38° - 93° C)
- SRBW, SRGBW and SRSSBW have a top halogen light Heat is controlled from a base mounted toggle switch
- SRSS-1 and SRSSBW-1 base shelf available in Gray Granite, Bermuda Sand and Night Sky (standard) in Simulated Stone—Non-standard colors are non-returnable
- SRB-1 and SRBW-1 include one 2.5" (64 mm) high full size food pan
- Standard models equipped with removable utensil tray for easy cleaning
- Durable stainless steel construction with sturdy aluminum extrusions
- Comes with attached 6' (1829 mm) cord and plug

Options (available at time of purchase only)

- Designer Colors* – Non-standard colors are non-returnable –
- Black standard
 - Bold Black Black (standard) Gray Granite White Granite
 - Navy Blue Hunter Green Antique Copper
- Gloss Finish* – Non-standard colors are non-returnable – Anodized Nickel standard in European Market
- Bold Black Anodized Nickel
- Simulated Stone Base Shelf Colors* – SRSS-1 and SRSSBW-1 models – Non-standard colors are non-returnable – Night Sky standard
- Gray Granite Bermuda Sand Night Sky (standard)
- Single sided Clear Glass Sneeze Guard in lieu of two-sided Clear Glass Sneeze Guard (BW models only)
 - Smoked Glass Sneeze Guard in lieu of two-sided Clear Glass Sneeze Guard (BW models only)
 - Single sided Smoked Glass Sneeze Guard in lieu of two-sided Clear Glass Sneeze Guard (BW models only)
 - Full Glass Heated Base, in lieu of utensil tray (SRG, SRGBW models only) (adds 90 watts to unit)
 - Full Simulated Stone Heated Base, in lieu of utensil tray (SRSS, SRSSBW models only) (adds 90 watts to unit)
 - Dimmer Switch, in lieu of toggle switch, for overhead lights (BW models only)
 - Two 300 watt bulbs in lieu of two 150 watt bulbs (BW models only) (adds 300 watts to unit)



SRB-1 shown in optional Anodized Nickel Gloss Finish, with 2.5" (64 mm) high food pan (included)

SRBW-1 with optional Anodized Nickel Gloss Finish and single sided clear glass Sneeze Guard and accessory food pans

SRGBW-1 shown in standard Designer Black, smoked glass Sneeze Guard (white food pans shown are not available)

SRG-1 with optional Anodized Nickel Gloss Finish (white food pans shown are not available)

SRSS-1 in standard Designer Black and Gray Granite Simulated Stone*

SRSSBW-1 in standard Designer Black finish, Night Sky Simulated Stone*, Smoked Sneeze Guard and Extended Shelf

* Models with Simulated Stone are Swanstone®.

Accessories

- Carving Station Pan (removable spiked perforated insert, frame and juice collection tray) (SRB-1 and SRBW-1 models only) 9 lbs. (4 kg)
- Half-Size Stainless Steel Pan – 12.75"W x 10.375"D x 2.5"H (324 W x 264 D x 64 H mm)



HATCO CORPORATION | P.O. Box 340500 Milwaukee, WI 53234-0500 U.S.A.

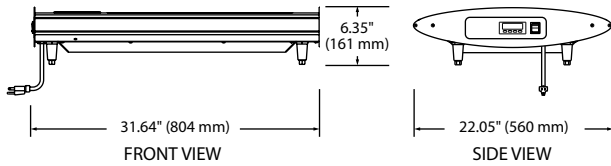
(800) 558-0607 | (414) 671-6350 | www.hatcocorp.com | equipsales@hatcocorp.com | intl@hatcocorp.com



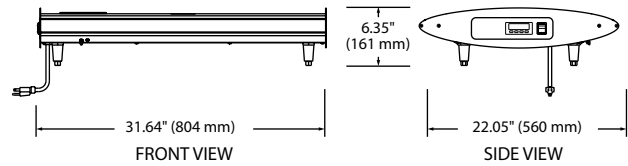
Serv-Rite® Portable Buffet Warmers

Models SRB-1, SRBW-1; SRG-1, SRGBW-1; SRSS-1, SRSSBW-1

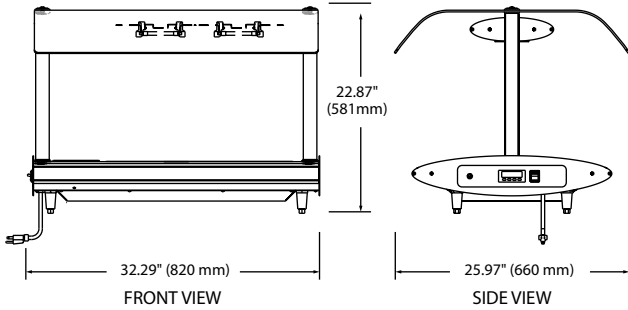
SRB-1 MODEL



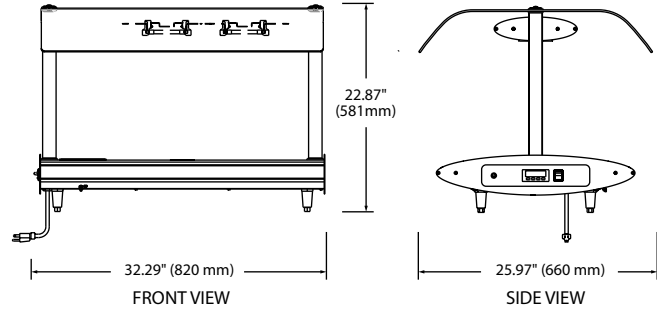
SRG-1 AND SRSS-1 MODELS



SRBW-1 MODEL



SRGBW-1 AND SRSSBW-1 MODELS



SPECIFICATIONS Serv-Rite® Portable Buffet Warmers

The shaded areas contain electrical information for international models

Model	Description	Dimensions (Width x Depth x Height)	Heated Base Surface (Width x Depth)	Voltage	Phase	Watts	Amps	Plug	Ship Weight*
SRB-1	Pan, utensil tray	31.64" x 22.05" x 6.35" (804 x 560 x 161 mm)	—	120	Single	500	4.2	NEMA 5-15P	50 lbs. (23 kg)
				230 (CE)	Single	500	2.2	CEE 7/7 Schuko, AS 3112 or BS-1363	
SRBW-1*	Pan, utensil tray, overhead heat	32.29" x 25.97" x 22.87" (820 x 660 x 581 mm)	—	120	Single	800 (1100)	6.7 (9.2)	NEMA 5-15P	104 lbs. (47 kg)
				230 (CE)	Single	800 (1100)	3.5 (4.8)	CEE 7/7 Schuko, AS 3112 or BS-1363	
SRG-1	Heated glass base, utensil tray	31.64" x 22.05" x 6.35" (804 x 560 x 161 mm)	20.625" x 11.81" (524 x 300 mm)	120	Single	350	2.9	NEMA 5-15P	46 lbs. (21 kg)
				230 (CE)	Single	350	1.5	CEE 7/7 Schuko, AS 3112 or BS-1363	
SRGBW-1*	Heated glass base, utensil tray, overhead heat	32.29" x 25.97" x 22.87" (820 x 660 x 581 mm)	20.625" x 11.81" (524 x 300 mm)	120	Single	650 (950)	5.4 (7.9)	NEMA 5-15P	108 lbs. (49 kg)
				230 (CE)	Single	650 (950)	2.8 (4.1)	CEE 7/7 Schuko, AS3112 or BS-1363	
SRSS-1	Heated simulated stone base, utensil tray	31.64" x 22.05" x 6.35" (804 x 560 x 161 mm)	20.625" x 11.81" (524 x 300 mm)	120	Single	350	2.9	NEMA 5-15P	48 lbs. (22 kg)
				230 (CE)	Single	350	1.5	CEE 7/7 Schuko, AS3112 or BS-1363	
SRSSBW-1*	Heated simulated stone base, utensil tray, overhead heat	32.29" x 25.97" x 22.87" (820 x 660 x 581 mm)	20.625" x 11.81" (524 x 300 mm)	120	Single	650 (950)	5.4 (7.9)	NEMA 5-15P	102 lbs. (46 kg)
				230 (CE)	Single	650 (950)	2.8 (4.1)	CEE 7/7 Schuko, AS3112 or BS-1363	

* Shipping weight includes packaging.

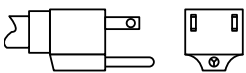
* Watt and amp ratings in parentheses are for units with two optional 300 W halogen bulbs. Ratings without parentheses are for units with the standard two 150 W halogen bulbs.

CORD LOCATION

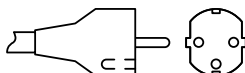
Control side.

PLUG CONFIGURATIONS

NEMA 5-15P



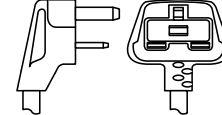
CEE 7/7 Schuko



AS3112



BS-1363



PRODUCT SPECS

SERV-RITE® Portable Buffet Warmer

The Portable Buffet Warmers shall be a Serv-Rite® Model ... as manufactured by the Hatco Corporation, Milwaukee, WI 53234 U.S.A.

The Portable Buffet Warmers shall be rated at ... watts, ... volts, and ... inches (millimeters) in overall width. It shall consist of food-safe material, thermostatically-

controlled heated base, halogen overhead heat (SRBW-1, SRGBW-1, and SRSSBW-1 models only) and a 6' (1829 mm) cord with plug attached.

Warranty consists of 24/7 parts and service assistance (US and Canada only).

HATCO CORPORATION | P.O. Box 340500 Milwaukee, WI 53234-0500 U.S.A.

(800) 558-0607 | (414) 671-6350 | www.hatcocorp.com | equipsales@hatcocorp.com | intl@hatcocorp.com