



There's only one #1™

Compact Electrical Booster Water Heaters

Model: C-4, -5, -6, -7, -9, -12, -13, -15, -17, -18, -24, -27, -30, -36, -39, -45, -54, -57

The Hatco Compact Electric Booster Water Heater provides all the 180°F (82°C) final rinse water required to sanitize and flash-dry dishes and flatware. The space saving Compact is easy to install next to the dishwasher with slide brackets or on 6" (152 mm) legs. The storage capacity is 6 gallons (23 liters).

Standard features

- All models include a Castone® lined tank with a 10-year limited warranty
- Features include a temperature/pressure relief valve, a pressure reducing valve, two temperature/pressure gauges, a high-temperature limit control, pilot indicator light, on-off switch, and a low-water cut-off to prevent element burnout due to a low water condition
- Available with slide brackets for mounting under a dishtable
- Each booster has fiberglass insulation to minimize heat loss
- Hatco electric booster heaters are factory pre-plumbed and pre-wired with calibrated immersion thermostat and high-temperature limit switch
- A stainless steel front panel and powder-coated silver-gray hammertone body is standard on all Compact models
- Swing-away front panels with low-water cut-off, control fuses and transformer allow quick access to probes and elements for easier serviceability

Project _____

Item # _____

Quantity _____



Options (available at time of purchase only)

- Stainless steel body and base
- Security package (Torx screws and control cover)

Accessories

- Additional slide brackets
- Additional stainless steel floor mounting leg assembly
- Blended Phosphate injection system (not for potable water)
- Shock absorber (reduces water hammer)
- Back pressure relief valve
- Additional brass pressure reducing valve with by-pass
- Additional stainless steel adjustable legs 6" - 7" (152 - 178 mm)



HATCO CORPORATION | P.O. Box 340500 Milwaukee, WI 53234-0500 U.S.A.

(800) 558-0607 | (414) 671-6350 | www.hatcocorp.com | equipmentsales@hatcocorp.com | intl@hatcocorp.com



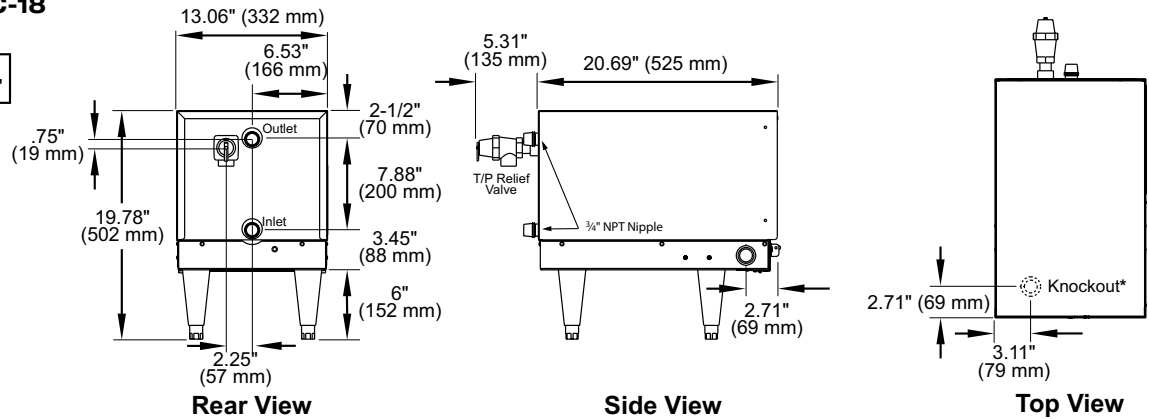
Compact Electrical Booster Water Heaters

Model: C-4, -5, -6, -7, -9, -12, -13, -15, -17, -18, -24, -27, -30, -36, -39, -45, -54, -57

Models C-4 through C-18

Electrical Knockouts left side and bottom—3/4", 1", and 1-1/4"

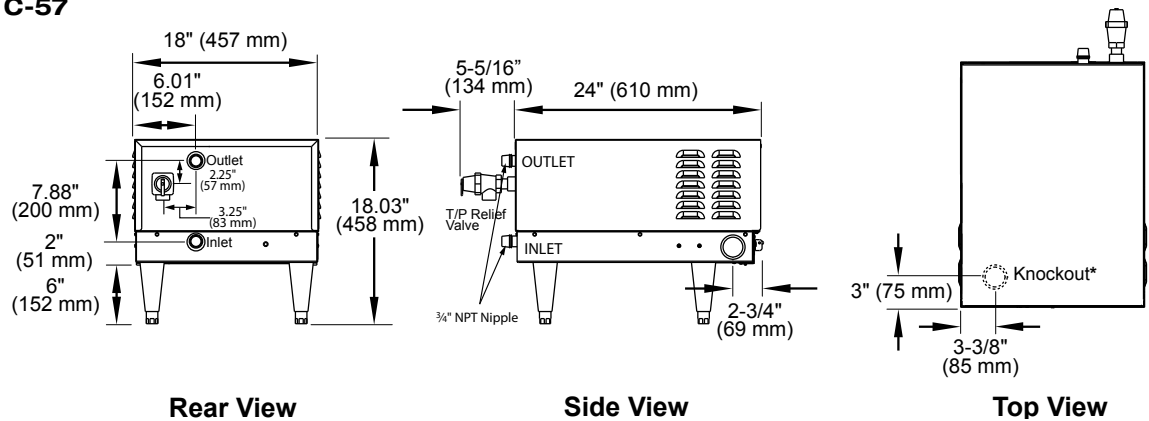
* Knockout is located on the bottom of unit.



Models C-24 through C-57

Electrical Knockouts left side and bottom—1-1/2" and 2"

* Knockout is located on the bottom of unit.



SPECIFICATIONS Compact Electric Boosters

| Model | Dimensions (Width x Depth x Height*) | kW | Volts | 1 phase | | 3 phase | | Ship Weight* |
|-------|---|----|-------|---------|-----------------------|---------|-----------------------|------------------|
| | | | | Amps | Breaker/ Fuse Size | Amps | Breaker/ Fuse Size | |
| C-4 | 13.06" x 20.69" (26") x 13.78" (332 x 525 (660 mm) x 350 mm) | 4 | 208 | 19.3 | 30 | — | — | 105 lbs. (48 kg) |
| | | | 240 | 16.7 | 30 | — | — | |
| | | | 480 | 8.4 | 15 | — | — | |
| C-5 | 13.06" x 20.69" (26") x 13.78" (332 x 525 (660 mm) x 350 mm) | 5 | 208 | 24.1 | 30 | — | — | 105 lbs. (48 kg) |
| | | | 240 | 20.9 | 30 | — | — | |
| | | | 480 | 10.5 | 15 | — | — | |
| C-6* | 13.06" x 20.69" (26") x 13.78" (332 x 525 (660 mm) x 350 mm) | 6 | 208 | 28.9 | 40 | 25 | 40 | 118 lbs. (54 kg) |
| | | | 240 | 25 | 40 | 21.6 | 30 | |
| | | | 480 | 12.5 | 20 | 10.8 | 15 | |
| | | | 600 | — | — | 6.1 | 15 | |
| C-7* | 13.06" x 20.69" (26") x 13.78" (332 x 525 (660 mm) x 350 mm) | 7 | 208 | 33.7 | 50 | 29.1 | 40 | 118 lbs. (54 kg) |
| | | | 240 | 29.2 | 40 | 25.2 | 40 | |
| | | | 480 | 14.6 | 20 | 12.6 | 20 | |
| | | | 600 | — | — | 6.8 | 15 | |

* Height does not include legs.

* Shipping weight includes packaging.

† Includes Temperature/Pressure Relief Valve.

♦ Only 6, 7, & 9kW Models, 208 and 240 volts only, can be field converted to single phase (units are shipped 3-phase open delta). Larger branch circuit required than for balanced 3-phase of equal kW. (Balanced 3-phase available, consult factory.)

HATCO CORPORATION | P.O. Box 340500 Milwaukee, WI 53234-0500 U.S.A.

(800) 558-0607 | (414) 671-6350 | www.hatcocorp.com | equipmentsales@hatcocorp.com | intl@hatcocorp.com



Compact Electrical Booster Water Heaters

Model: C-4, -5, -6, -7, -9, -12, -13, -15, -17, -18, -24, -27, -30, -36, -39, -45, -54, -57

SPECIFICATIONS Compact Electric Boosters

| Model | Dimensions (Width x Depth x Height*) | kW | Volts | 1 phase | | 3 phase | | Ship Weight† |
|-------|--|-------|-------|---------|-----------------------|---------|-----------------------|------------------|
| | | | | Amps | Breaker/ Fuse Size | Amps | Breaker/ Fuse Size | |
| C-9* | 13.06" x 20.69" (26"†) x 13.78" (332 x 525 (660 mm) x 350 mm) | 9 | 208 | 43.3 | 60 | 37.5 | 50 | 118 lbs. (54 kg) |
| | | | 240 | 37.5 | 50 | 32.4 | 50 | |
| | | | 480 | 18.8 | 30 | 16.3 | 30 | |
| | | | 600 | — | — | 8.7 | 15 | |
| C-12 | 13.06" x 20.69" (26"†) x 13.78" (332 x 525 (660 mm) x 350 mm) | 12 | 208 | 57.7 | 90 | 33.4 | 50 | 120 lbs. (54 kg) |
| | | | 240 | 50 | 70 | 28.9 | 40 | |
| | | | 480 | 25 | 40 | 14.5 | 20 | |
| | | | 600 | — | — | 11.6 | 20 | |
| C-13 | 13.06" x 20.69" (26"†) x 13.78" (332 x 525 (660 mm) x 350 mm) | 13.5 | 208 | 65 | 90 | 37.5 | 50 | 120 lbs. (54 kg) |
| | | | 240 | 56.3 | 90 | 32.5 | 50 | |
| | | | 480 | 28.2 | 20 | 16.3 | 30 | |
| | | | 600 | — | — | 13.1 | 20 | |
| C-15 | 13.06" x 20.69" (26"†) x 13.78" (332 x 525 (660 mm) x 350 mm) | 15 | 208 | 72.2 | 90 | 41.7 | 60 | 120 lbs. (54 kg) |
| | | | 240 | 62.5 | 90 | 36.1 | 50 | |
| | | | 480 | 31.3 | 40 | 18.1 | 30 | |
| | | | 600 | — | — | 14.5 | 20 | |
| C-17 | 13.06" x 20.69" (26"†) x 13.78" (332 x 525 (660 mm) x 350 mm) | 17.25 | 208 | — | — | 47.9 | 60 | 120 lbs. (54 kg) |
| C-18 | 13.06" x 20.69" (26"†) x 13.78" (332 x 525 (660 mm) x 350 mm) | 18 | 208 | 86.6 | 125 | — | — | 120 lbs. (54 kg) |
| | | | 240 | 75 | 100 | 43.4 | 60 | |
| | | | 480 | 37.5 | 50 | 21.7 | 30 | |
| | | | 600 | — | — | 17.4 | 30 | |
| C-24 | 18" x 24" (29.25"†) x 12.03" (457 x 610 (743 mm) x 306 mm) | 24 | 208 | 115.4 | 150 | 66.7 | 90 | 142 lbs. (64 kg) |
| | | | 240 | 100 | 125 | 57.8 | 90 | |
| | | | 480 | — | — | 28.9 | 40 | |
| | | | 600 | — | — | 23.2 | 30 | |
| C-27 | 18" x 24" (29.25"†) x 12.03" (457 x 610 (743 mm) x 306 mm) | 27 | 208 | 129.9 | 175 | 75 | 100 | 142 lbs. (64 kg) |
| | | | 240 | 112.5 | 150 | 65 | 90 | |
| | | | 480 | — | — | 32.5 | 50 | |
| | | | 600 | — | — | 26.1 | 40 | |
| C-30 | 18" x 24" (29.25"†) x 12.03" (457 x 610 (743 mm) x 306 mm) | 30 | 208 | 144.3 | 200 | 83.3 | 125 | 142 lbs. (64 kg) |
| | | | 240 | 125 | 175 | 72.2 | 100 | |
| | | | 480 | — | — | 36.1 | 50 | |
| | | | 600 | — | — | 29 | 40 | |
| C-36 | 18" x 24" (29.25"†) x 12.03" (457 x 610 (743 mm) x 306 mm) | 36 | 208 | 173.1 | 225 | 100 | 125 | 142 lbs. (64 kg) |
| | | | 240 | 150 | 200 | 86.7 | 125 | |
| | | | 480 | — | — | 43.4 | 60 | |
| | | | 600 | — | — | 34.8 | 50 | |
| C-39 | 18" x 24" (29.25"†) x 12.03" (457 x 610 (743 mm) x 306 mm) | 39 | 208 | 187.5 | 250 | 108.3 | 150 | 142 lbs. (64 kg) |
| | | | 240 | 162.5 | 225 | 93.9 | 125 | |
| | | | 480 | — | — | 47 | 60 | |
| | | | 600 | — | — | 37.7 | 50 | |

* Height does not include legs.

† Shipping weight includes packaging.

• Only 6, 7, & 9kW Models, 208 and 240 volts only, can be field converted to single phase (units are shipped 3-phase open delta). Larger branch circuit required than for balanced 3-phase of equal kW. (Balanced 3-phase available, consult factory.)

† Includes Temperature/Pressure Relief Valve.

HATCO CORPORATION | P.O. Box 340500 Milwaukee, WI 53234-0500 U.S.A.

(800) 558-0607 | (414) 671-6350 | www.hatcocorp.com | equipsales@hatcocorp.com | intlsales@hatcocorp.com



Compact Electrical Booster Water Heaters

Model: C-4, -5, -6, -7, -9, -12, -13, -15, -17, -18, -24, -27, -30, -36, -39, -45, -54, -57

SPECIFICATIONS Compact Electric Boosters

The shaded areas contain electrical information for International models

| Model | Dimensions (Width x Depth x Height*) | kW | Volts | 1 phase | | 3 phase | | Ship Weight* |
|-------|--|----|-------|---------|-----------------------|---------|-----------------------|------------------|
| | | | | Amps | Breaker/ Fuse Size | Amps | Breaker/ Fuse Size | |
| C-45 | 18" x 24" (29.25") x 12.03" (457 x 610 (743 mm) x 306 mm) | 45 | 208 | — | — | 125 | 175 | 142 lbs. (64 kg) |
| | | | 240 | 187.5 | 250 | 108.3 | 150 | |
| | | | 480 | — | — | 54.2 | 70 | |
| | | | 600 | — | — | 43.5 | 60 | |
| C-54 | 18" x 24" (29.25") x 12.03" (457 x 610 (743 mm) x 306 mm) | 54 | 208 | — | — | 149.9 | 200 | 142 lbs. (64 kg) |
| | | | 240 | — | — | 130 | 175 | |
| | | | 480 | — | — | 65 | 90 | |
| | | | 600 | — | — | 52.1 | 70 | |
| C-57 | 18" x 24" (29.25") x 12.03" (457 x 610 (743 mm) x 306 mm) | 57 | 208 | — | — | 158.3 | 200 | 142 lbs. (64 kg) |
| | | | 240 | — | — | 137.2 | 175 | |
| | | | 480 | — | — | 68.6 | 90 | |
| | | | 600 | — | — | 54.9 | 70 | |

* Height does not include legs.
 * Shipping weight includes packaging.
 † Includes Temperature/Pressure Relief Valve.

WATER TEMPERATURE RECOVERY TABLE

| Model | 40°F (22°C) Rise | 70°F (39°C) Rise |
|-------|--------------------|-------------------|
| C-4 | 40 gph (151 lph) | 23 gph (87 lph) |
| C-5 | 50 gph (189 lph) | 29 gph (110 lph) |
| C-6 | 60 gph (227 lph) | 34 gph (129 lph) |
| C-7 | 70 gph (265 lph) | 40 gph (151 lph) |
| C-9 | 90 gph (341 lph) | 52 gph (197 lph) |
| C-12 | 120 gph (454 lph) | 69 gph (261 lph) |
| C-13 | 135 gph (511 lph) | 77 gph (292 lph) |
| C-15 | 151 gph (572 lph) | 86 gph (326 lph) |
| C-17 | 173 gph (655 lph) | 99 gph (375 lph) |

| Model | 40°F (22°C) Rise | 70°F (39°C) Rise |
|-------|--------------------|--------------------|
| C-18 | 181 gph (685 lph) | 103 gph (390 lph) |
| C-24 | 241 gph (912 lph) | 138 gph (522 lph) |
| C-27 | 271 gph (1026 lph) | 155 gph (587 lph) |
| C-30 | 301 gph (1139 lph) | 172 gph (651 lph) |
| C-36 | 361 gph (1367 lph) | 206 gph (780 lph) |
| C-39 | 391 gph (1480 lph) | 224 gph (848 lph) |
| C-45 | 452 gph (1711 lph) | 258 gph (977 lph) |
| C-54 | 542 gph (2052 lph) | 310 gph (1174 lph) |
| C-57 | 573 gph (2169 lph) | 326 gph (1234 lph) |

WATER QUALITY REQUIREMENTS

Incoming water in excess of 3.0 grains of hardness per gallon (GPG) (.75 grains of hardness per liter) must be treated and softened before being supplied to booster heater(s). Water containing over 3.0 GPG (.75 GPL) will decrease the efficiency and reduce the operating life of the unit.

Note: Product failure caused by liming or sediment buildup is not covered under warranty.

PRODUCT SPECS Electric Booster Water Heater

The Electric Booster Water Heater to supply the final 180°F (82°C) rinse for the dishwasher shall be a Compact Model ... as manufactured for commercial use by the Hatco Corporation, Milwaukee, WI 53234 U.S.A.

The booster shall have the capacity to heat ... gph (lph) from 120°F to 180°F (49°C to 82°C) and it shall be rated at ... kW, ... volts, ... phase. The tank shall be designed for a working pressure of 150 psi (1034 kPa) and hydrostatically tested at 300 psi (2069 kPa) with a Hatco Castone® lining.

The heater shall be complete with all internal plumbing, including ¾" NPT pipe and fittings for inlet and outlet. Controls shall be built-in, including contactors and prewired in accordance with UL #1453 and 422.11 NEL 2002. Proper surface mounting circuit breaker or fused disconnect switch shall be provided by electrical contractor.

Electric heating elements shall be metal sheathed, controlled by an ambient compensating immersion thermostat. The booster shall be protected with high-temperature limit switch (ECO) and low-water cut-off.

The heater shall consist of stainless steel front and silver-gray hammertone body with standard 6" (152 mm) legs (or stainless steel body, base, and stainless steel adjustable legs).

The heater shall include a temperature/pressure relief valve, high-temperature pressure reducing valve with bypass, and two indicating temperature/pressure gauges. Warranty consists of 24/7 parts and service assistance (US and Canada only).

HATCO CORPORATION | P.O. Box 340500 Milwaukee, WI 53234-0500 U.S.A.

(800) 558-0607 | (414) 671-6350 | www.hatcocorp.com | equipsales@hatcocorp.com | intl@hatcocorp.com