



Project _____

Item # _____

Quantity _____

R-290 Cold Simulated Stone[▽] Shelves Built-In Flush Top

Models: CSSBFP-24-F, -24-I, -24-S, -36-F, -36-I, -36-S, -48-F, -48-I, -48-S

Hatco's R-290 Cold Simulated Stone[®] Shelves Built-In Flush Top are designed to keep your products in the perfect chill zone using environmentally friendly R-290 refrigerant. They are a must for buffet lines in cafeterias, restaurants and much more! These sturdy, foodsafe shelves are available in three attractive simulated stone colors.

Standard features

- CSSBFP condenser utilizes environmentally friendly R-290 refrigerant
- Patented thermal break reduces condensation and temperature transfer on adjacent surfaces
- All units have an Electronic Temperature Control Box with a 4' (1219 mm) lead wire (Standard)
- Control box can be mounted on the front of the cabinet, 4' (1219 mm) from center of shelf
- All models are bottom mount units, flush to countertop
- All models not available with CE Mark

[▽] Models with simulated stone are Swanstone[®].



CSSBFP-48-S
in standard
Night Sky

Options (available at time of purchase only)

- Simulated stone[▽] color – Night Sky Standard – Non-standard colors are non-returnable
- Gray Granite Bermuda Sand



For operation, location and safety information, please refer to the Installation and Operating Manual.



(For 120V only)

HATCO CORPORATION | P.O. Box 340500 Milwaukee, WI 53234-0500 U.S.A. | (414) 671-6350



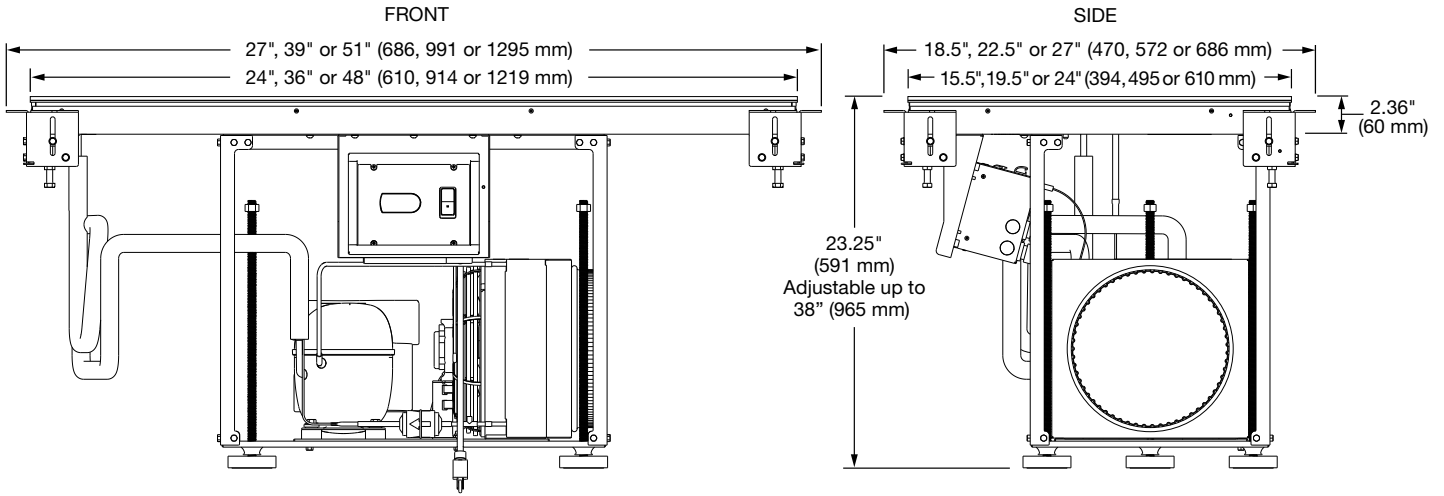
www.hatcocorp.com | support@hatcocorp.com | [Find a Hatco Rep](#) | [Image Library](#) | [Document Library](#) | [Patents](#) | [Chat](#)



R-290 Cold Simulated Stone[▼] Shelves Built-In Flush Top

Models: CSSBFP-24-F, -24-I, -24-S, -36-F, -36-I, -36-S, -48-F, -48-I, -48-S

CSSBFP



▼ Models with simulated stone are Swanstone®.

CUTOUT DIMENSIONS

Refer to the [Installation and Operating Manual](#) for more information.

Model	Width	Depth
	with 0.375" (10 mm) radii	with 0.375" (10 mm) radii
CSSBFP-24F	24.375" (619 mm)	15.875" (403 mm)
CSSBFP-24-I	24.375" (619 mm)	19.875" (505 mm)
CSSBFP-24-S	24.375" (619 mm)	24.375" (619 mm)
CSSBFP-36-F	36.375" (924 mm)	15.875" (403 mm)
CSSBFP-36-I	36.375" (924 mm)	19.875" (505 mm)
CSSBFP-36-S	36.375" (924 mm)	24.375" (619 mm)
CSSBFP-48-F	48.375" (1229 mm)	15.875" (403 mm)
CSSBFP-48-I	48.375" (1229 mm)	19.875" (505 mm)
CSSBFP-48-S	48.375" (1229 mm)	24.375" (619 mm)

HATCO CORPORATION | P.O. Box 340500 Milwaukee, WI 53234-0500 U.S.A. | (800) 558-0607 | (414) 671-6350



www.hatcocorp.com | support@hatcocorp.com | [Find a Hatco Rep](#) | [Image Library](#) | [Document Library](#) | [Patents](#) | [Chat](#)



R-290 Cold Simulated Stone[™] Shelves Built-In Flush Top

Models: CSSBFP-24-F, -24-I, -24-S, -36-F, -36-I, -36-S, -48-F, -48-I, -48-S

SPECIFICATIONS

R-290 Cold Simulated Stone[™] Shelves Built-In Flush Top

The shaded areas contain electrical information for International models

Model	Overall Dimension [†] W x D x H	Usable Shelf Space W x D of cooled surface	Compressor Size HP	Voltage*	Watts	Amps	Hz	Plug	Total Heat of Rejection (BTU/Hr)	Approx. Ship Weight	
CSSBFP-24-F	27" x 18.5" x 23.25" (686 x 470 x 591 mm)	24" x 15.5" (610 x 394 mm)	1/3	1/5	120	345	5.2	60	NEMA 5-15P	1852	114 lb. (52 kg)
				50	220	333	3.0	CEE 7-7 Schuko, BS-1363, AS3112	2026		
					230	364	3.2				
					240	396	3.3				
				60	220	333	3.0	CEE 7-7 Schuko BS-1363	2026		
					230	364	3.2				
240	396	3.3									
CSSBFP-24-I	27" x 22.5" x 23.25" (686 x 572 x 591 mm)	24" x 19.5" (610 x 495 mm)	1/3	1/5	120	345	5.2	60	NEMA 5-15P	1992	124 lb. (56 kg)
				50	220	333	3.0	CEE 7-7 Schuko, BS-1363, AS3112	2166		
					230	364	3.2				
					240	396	3.3				
				60	220	333	3.0	CEE 7-7 Schuko BS-1363	2166		
					230	364	3.2				
240	396	3.3									
CSSBFP-24-S	27" x 27" x 23.25" (686 x 686 x 591 mm)	24" x 24" (610 x 610 mm)	1/3	1/5	120	345	5.2	60	NEMA 5-15P	2150	134 lb. (61 kg)
				50	220	333	3.0	CEE 7-7 Schuko, BS-1363, AS3112	2324		
					230	364	3.2				
					240	396	3.3				
				60	220	333	3.0	CEE 7-7 Schuko BS-1363	2324		
					230	364	3.2				
240	396	3.3									
CSSBFP-36-F	39" x 18.5" x 23.25" (991 x 470 x 591 mm)	36" x 15.5" (914 x 394 mm)	1/3	1/5	120	345	5.2	60	NEMA 5-15P	2123	143 lb. (65 kg)
				50	220	333	3.0	CEE 7-7 Schuko, BS-1363, AS3112	2297		
					230	364	3.2				
					240	396	3.3				
				60	220	333	3.0	CEE 7-7 Schuko BS-1363	2297		
					230	364	3.2				
240	396	3.3									
CSSBFP-36-I	39" x 22.5" x 23.25" (991 x 572 x 591 mm)	36" x 19.5" (914 x 495 mm)	3/8	1/3	120	440	6.5	60	NEMA 5-15P	2609	155 lb. (70 kg)
				50	220	333	3.0	CEE 7-7 Schuko, BS-1363, AS3112	2459		
					230	364	3.2				
					240	396	3.3				
				60	220	333	3.0	CEE 7-7 Schuko, BS-1363	2459		
					230	364	3.2				
240	396	3.3									
CSSBFP-36-S	39" x 27" x 23.25" (991 x 686 x 591 mm)	36" x 24" (914 x 610 mm)	3/8	1/3	120	440	6.5	60	NEMA 5-15P	2821	167 lb. (78 kg)
				50	220	333	3.0	CEE 7-7 Schuko, BS-1363, AS3112	2671		
					230	364	3.2				
					240	396	3.3				
				60	220	333	3.0	CEE 7-7 Schuko, BS-1363	2671		
					230	364	3.2				
240	396	3.3									
CSSBFP-48-F	51" x 18.5" x 23.25" (1295 x 470 x 591 mm)	48" x 15.5" (1219 x 394 mm)	3/8	1/3	120	440	6.5	60	NEMA 5-15P	2664	144 lb. (65 kg)
				50	220	333	3.0	CEE 7-7 Schuko, BS-1363, AS3112	2671		
					230	364	3.2				
					240	396	3.3				
				60	220	333	3.0	CEE 7-7 Schuko, BS-1363	2514		
					230	364	3.2				
240	396	3.3									
CSSBFP-48-I	51" x 22.5" x 23.25" (1295 x 572 x 591 mm)	48" x 19.5" (1219 x 495 mm)	3/8	1/3	120	440	6.5	60	NEMA 5-15P	2915	173 lb. (78 kg)
				50	220	333	3.0	CEE 7-7 Schuko, BS-1363, AS3112	2765		
					230	364	3.2				
					240	396	3.3				
				60	220	333	3.0	CEE 7-7 Schuko, BS-1363	2765		
					230	364	3.2				
240	396	3.3									
CSSBFP-48-S	51" x 27" x 23.25" (1295 x 686 x 591 mm)	48" x 24" (1219 x 610 mm)	1/2	1/2	120	560	9.3	60	NEMA 5-15P	4318	195 lb. (89 kg)
				50	220	454	4.1	CEE 7-7 Schuko, BS-1363, AS3112	4250		
					230	496	4.3				
					240	540	4.5				
				60	220	484	4.4	CEE 7-7 Schuko, BS-1363	4373		
					230	529	4.6				
240	576	4.8									

♦ Models with simulated stone are Swanstone[®].

* All voltages are non-CE.

† Height is adjustable up to 38" (965 mm).

HATCO CORPORATION | P.O. Box 340500 Milwaukee, WI 53234-0500 U.S.A. | (800) 558-0607 | (414) 671-6350



www.hatcocorp.com | support@hatcocorp.com | [Find a Hatco Rep](#) | [Image Library](#) | [Document Library](#) | [Patents](#) | [Chat](#)



R-290 Cold Simulated Stone[™] Shelves Built-In Flush Top

Models: CSSBFP-24-F, -24-I, -24-S, -36-F, -36-I, -36-S, -48-F, -48-I, -48-S*

R-290 REFRIGERANT OPERATING SPECIFICATIONS IN 75°F (24°C) AMBIENT



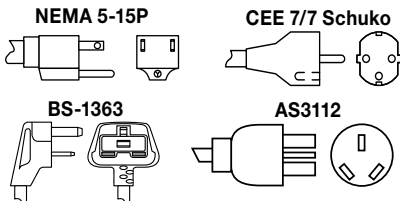
(Refer to the Installation section in the Installation and Operating Manual on the [Hatco website](#))

- Suction Pressure: 13-23 PSIG (0.9-1.6 Bar)
- Discharge Pressure: 140-180 PSIG (9.7-12.4 Bar)
- Superheat: 4-10° F (2.2 to 5.6°C)
- Subcooling: 5-10° F (2.8 to 5.6°C)

FACTORY FILL RATES for R-290 REFRIGERANT

Model	Fill Weight
CSSBFP-24-F	3.5 oz. (0.099 kg)
CSSBFP-24-I	3.6 oz. (0.102 kg)
CSSBFP-24-S	3.7 oz. (0.105 kg)
CSSBFP-36-F	3.7 oz. (0.105 kg)
CSSBFP-36-I	3.8 oz. (0.108 kg)
CSSBFP-36-S	3.9 oz. (0.111 kg)
CSSBFP-48-F	3.8 oz. (0.108 kg)
CSSBFP-48-I	4.0 oz. (0.113 kg)
CSSBFP-48-S	4.5 oz. (0.128 kg)

PLUG CONFIGURATION



PRODUCT SPECS R-290 Cold Simulated Stone[™] Shelves Built-In Flush Top

The patented R-290 Cold Simulated Stone Shelves Built-In Flush Top shall be model ... as manufactured by the Hatco Corporation, Milwaukee, WI 53234 U.S.A.

The R-290 Cold Simulated Stone Shelf Built-In Flush Top shall be rated at ... watts, ... volts, and ... inches (millimeters) in overall width.

[™] Models with simulated stone are Swanstone[®].

It shall utilize R-290 refrigerant and consist of foodsafe simulated stone material surface shelf assembly, a condenser attached to evaporator with cord and plug attached, and attached Electronic Temperature Control Box.

Warranty consists of 24/7 parts and service assistance (U.S. and Canada only).

HATCO CORPORATION | P.O. Box 340500 Milwaukee, WI 53234-0500 U.S.A. | (800) 558-0607 | (414) 671-6350



www.hatcocorp.com | support@hatcocorp.com | [Find a Hatco Rep](#) | [Image Library](#) | [Document Library](#) | [Patents](#) | [Chat](#)